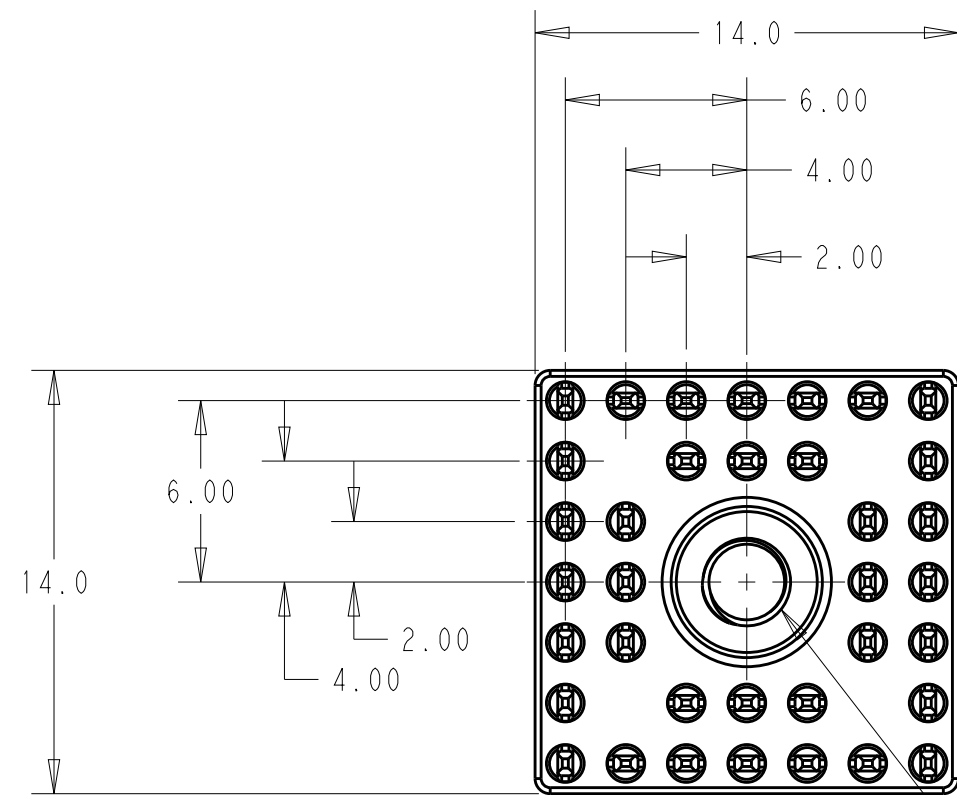
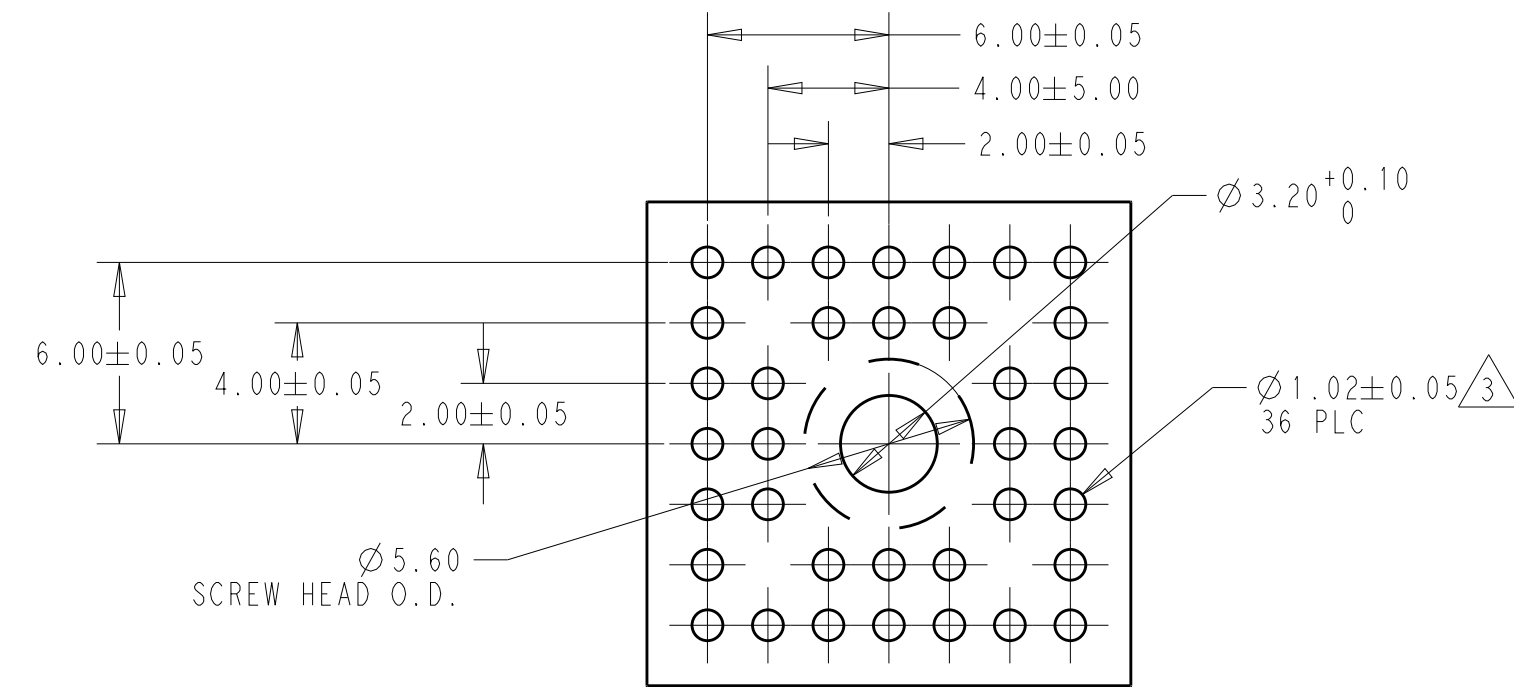
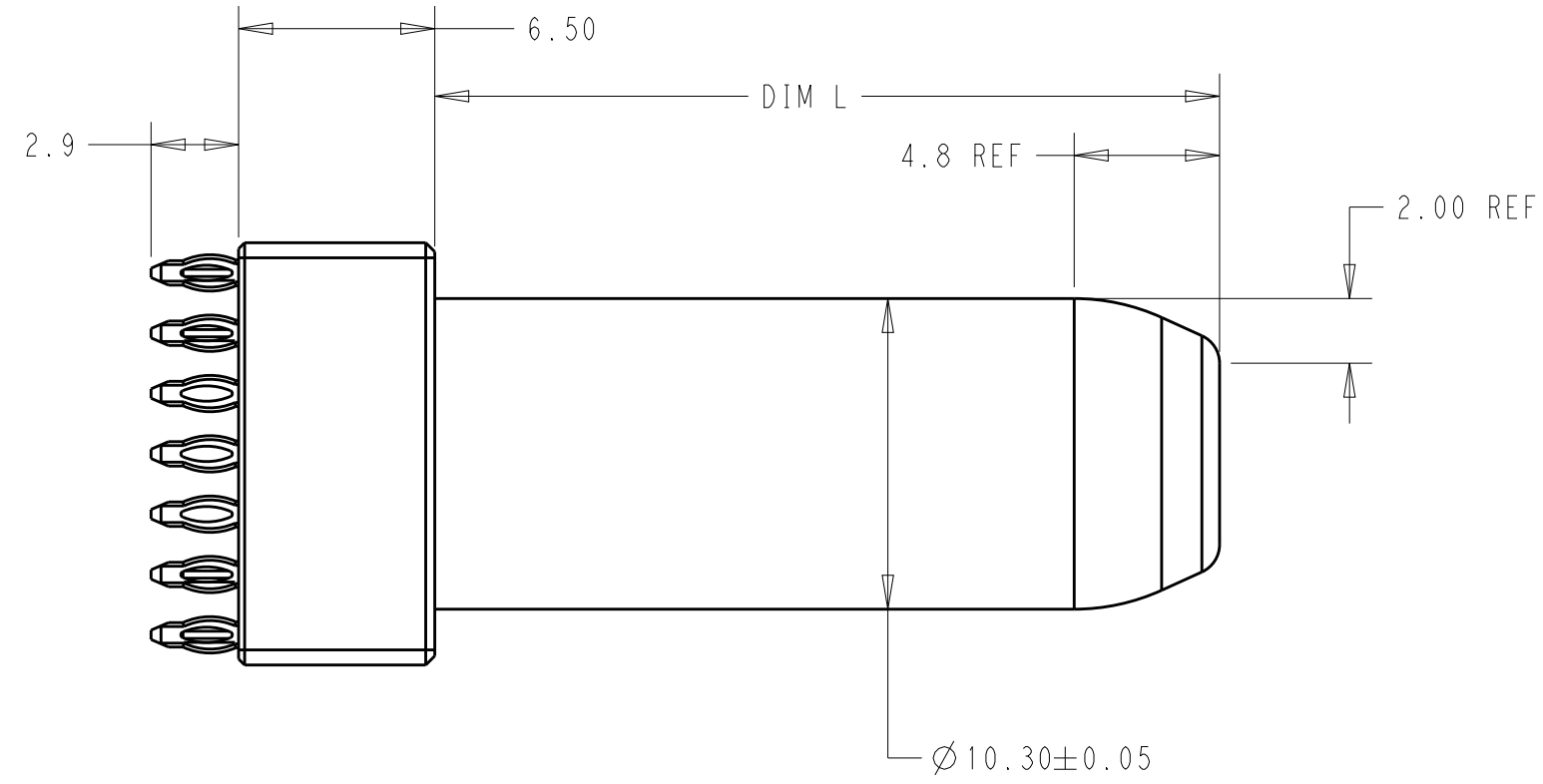


P	LTR	DESCRIPTION	DATE	DWN	APVD
A		RELEASE	13OCT2020	AL	SZ



M3\*0.5-6H  
THREAD DEPTH 6.0  
OPTIONAL PLATING



RECOMMENDED PCB LAYOUT  
PCB THICKNESS: 2mm MIN

NOTES:

- MATERIAL: COPPER ALLOY FOR ROUND SOCKET, SQUARE BODY, AND COMPLIANT PINS.
- FINISH:  
 ROUND SOCKET: 150µIN MIN SILVER OVER 50µIN MIN NICKEL PLATING  
 SQUARE BODY: 150µIN MIN NICKEL PLATING  
 COMPLIANT PINS: 80µIN MIN TIN OVER 50µIN NICKEL PLATING
- RECOMMENDED PCB HOLE SPEC:  
 DRILLED HOLE:  $\varnothing 1.15 \pm 0.025$ mm  
 FINISHED HOLE:  $\varnothing 1.02 \pm 0.05$ mm  
 COPPER PLATING: 0.03mm MIN PER SURFACE  
 TIN PLATING: 0.008mm MIN PER SURFACE
- ELECTRICAL PERFORMANCE: 350A CURRENT
- INSTALLATION: APPROX. 200Lbf TO PRESS ASSEMBLY ONTO BOARD
- RECOMMENDED TORQUE FOR M3 SCREW: 5Kgf\*cm

19.0	2358714-3
46.0	2358714-2
26.0	2358714-1
DIM L	PART NUMBER

DIMENSIONS:		TOLERANCES UNLESS OTHERWISE SPECIFIED:		DWN		TE Connectivity	
mm		0 PLC	±	ANDY LI	04JUL2019		
		1 PLC	±0.3	CHK	-		
		2 PLC	±0.2	APVD	04JUL2019	NAME SUNY ZHAO PRODUCT SPEC 108-128111	
		3 PLC	±0.1	APPLICATION SPEC	-		
		4 PLC	±0.0001	114-128112	-	SIZE A2 CAGE CODE 00779 DRAWING NO C-2358714	
		ANGLES	±	WEIGHT	-		
MATERIAL	-	FINISH	-	CUSTOMER DRAWING		RESTRICTED TO	-
				SCALE	4:1	SHEET	1 OF 1
						REV	A

单击下面可查看定价，库存，交付和生命周期等信息

[>>TE Connectivity\(泰科\)](#)