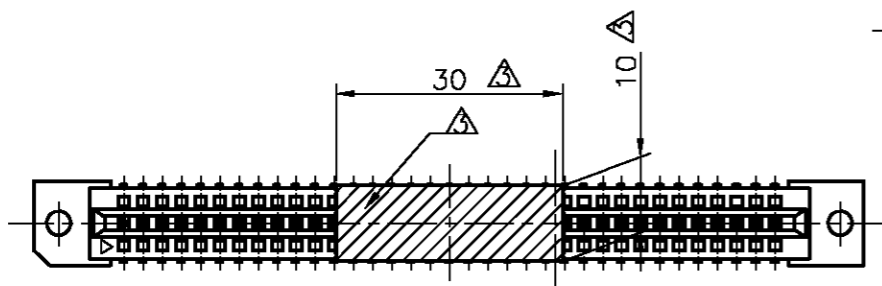


THIS DRAWING IS UNPUBLISHED. RELEASED FOR PUBLICATION

© COPYRIGHT BY TYCO ELECTRONICS CORPORATION. ALL RIGHTS RESERVED.

LOC		DIST		REVISIONS			
P	LTR	DESCRIPTION		DATE	DWN	APVD	
		O		RELEASED(FJ00-1962-00)		20DEC00	H.T I.E

-1 ; AS SHOWN

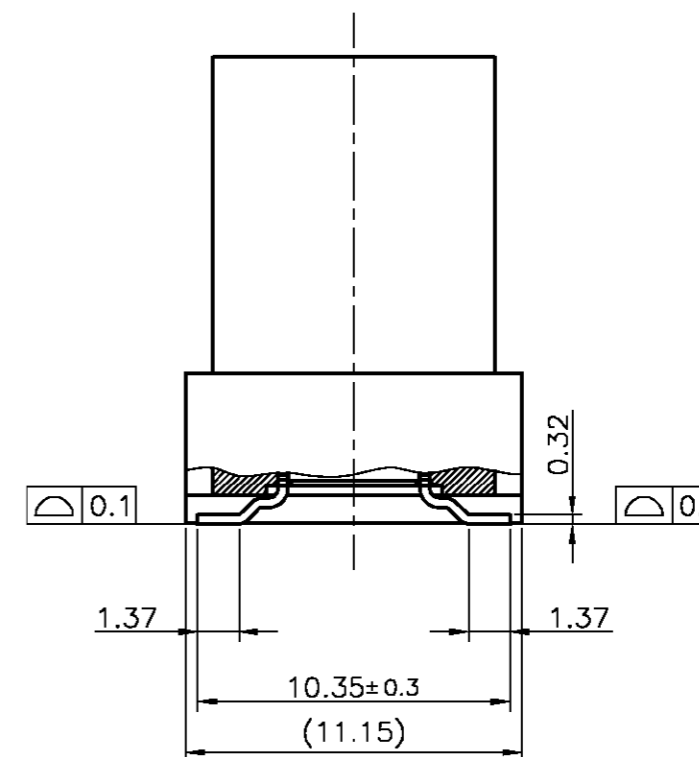
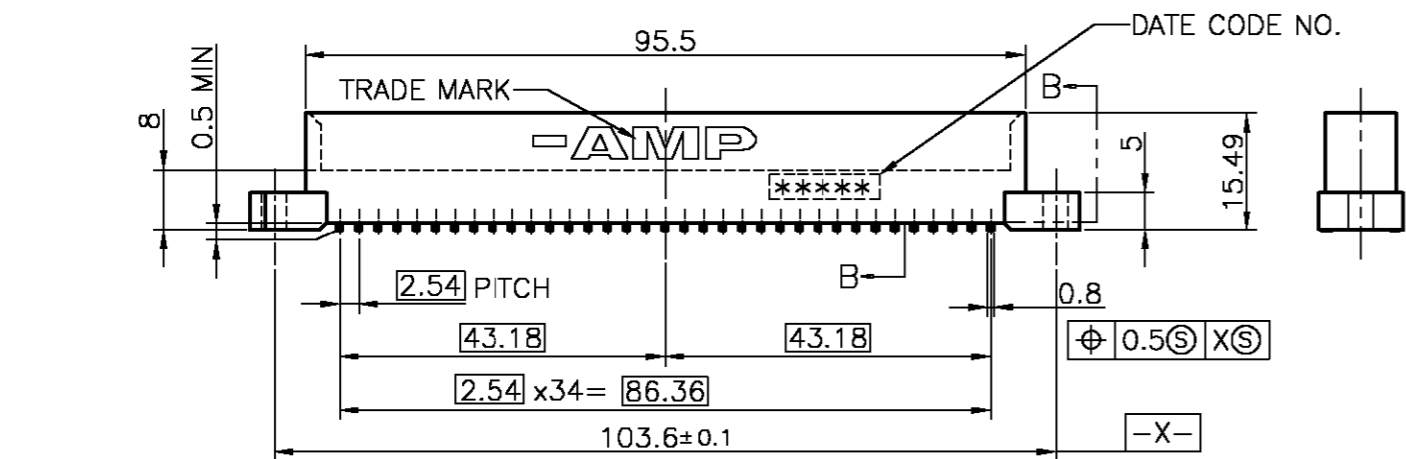
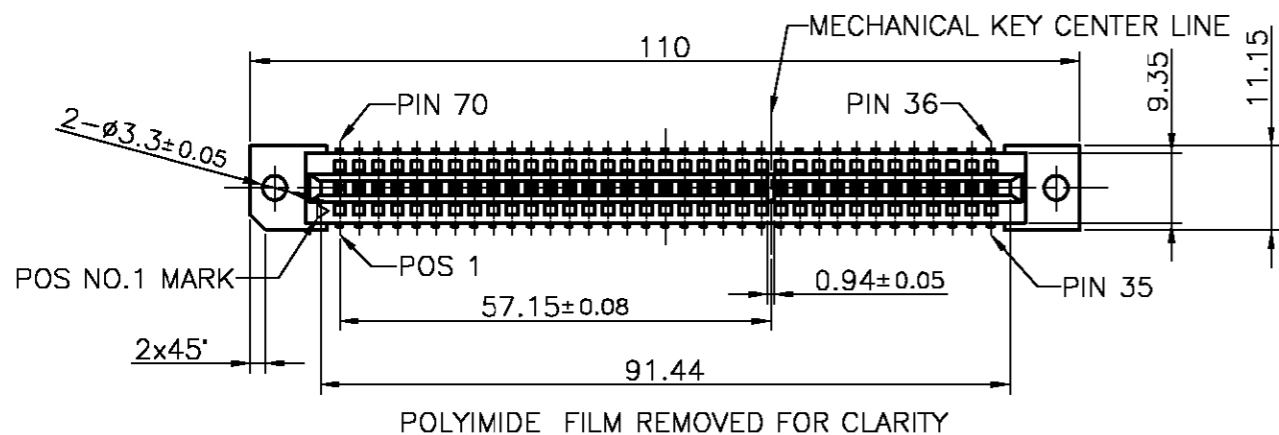


NOTES

- 1. MATERIAL ; HOUSING:HIGH TEMPERATURE THERMO PLASTIC UL94V-0. CONTACT:COPPER ARROY.
- 2. FINISH ; CONTACT AREA : GOLD PLATE OVER Ni PLATE. SOLDERING AREA : GOLD PLATE OVER Ni PLATE.
- 3. POLYIMIDE FILM (ADHESIVE TAPE) ; THK 0.08.

注記

- 1. 材料 ;ハウジング:耐熱性熱可塑性樹脂 UL94V-0  
コンタクト:銅合金
- 2. めっき仕様;接触部:ニッケル下地  
金めっき  
半田付部:ニッケル下地  
金めっき
- 3. ポリイミドフィルム(粘着テープ);厚さ 0.08



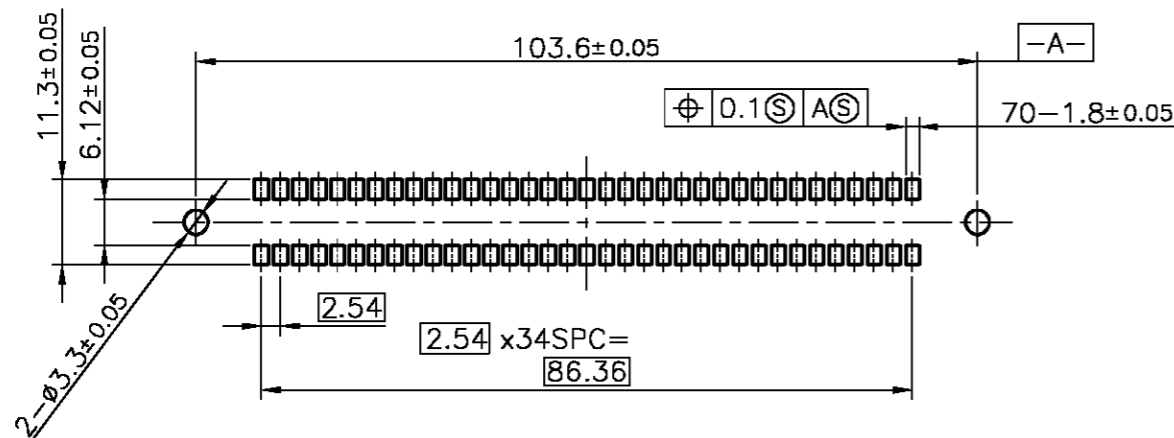
SECT B-B (SCALE 4-1)

THIS DRAWING IS A CONTROLLED DOCUMENT.		DWN H.TAGUCHI 14DEC00	Tyco Electronics Corporation Kawasaki, Japan				
DIMENSIONS: MM		CHK K.ASAKAWA 20DEC00					
TOLERANCES UNLESS OTHERWISE SPECIFIED:		APVD I.ENOMOTO 20DEC00	NAME				
0 PLC ± - 1 PLC ± - 2 PLC ± - 3 PLC ± - 4 PLC ± - ANGLES ± -		PRODUCT SPEC 108-5773	CARD EDGE 35 DUAL POS. SMT				
GENERAL TOERLANCE		APPLICATION SPEC	SIZE A3	CAGE CODE 00779	DRAWING NO C-1473151	RESTRICTED TO	
10 ≥ ; ±0.2 30 ≥ >10 ; ±0.25 >30 ; ±0.3 ANGLE ; ±3°		WEIGHT -	CUSTOMER DRAWING		SCALE 1-1	SHEET 1 OF 2	REV 0

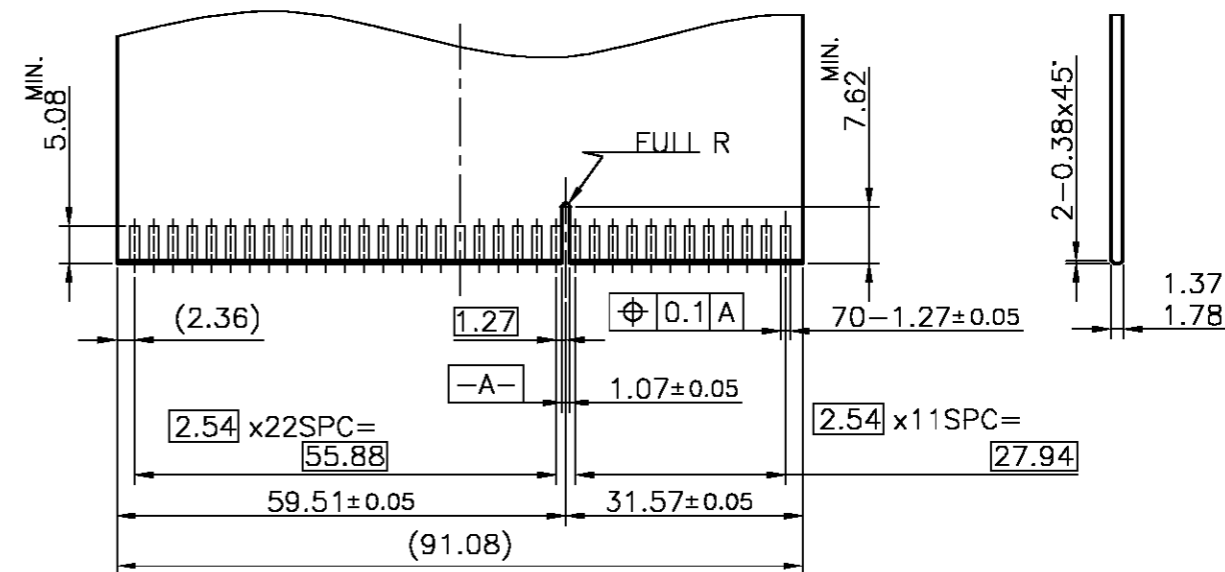
THIS DRAWING IS UNPUBLISHED. RELEASED FOR PUBLICATION

© COPYRIGHT BY TYCO ELECTRONICS CORPORATION. ALL RIGHTS RESERVED.

LOC	DIST	REVISIONS			
P	LTR	DESCRIPTION	DATE	DWN	APVD
J	-				



RECOMMENDED P.C.BOARD PATTERN LAYOUT (CONNECTOR MOUNTING SIDE)



RECOMMENDED MATING BOARD EDGE CONFIGURATION

GENERAL TOLERANCE

10 ≥	±0.2
30 ≥	>10 ; ±0.25
	>30 ; ±0.3
	ANGLE ; ±3°

THIS DRAWING IS A CONTROLLED DOCUMENT.		DWN		AMP Tyco Electronics Corporation Kawasaki, Japan	
DIMENSIONS: MM		CHK		NAME	
TOLERANCES UNLESS OTHERWISE SPECIFIED:		APVD		CARD EDGE 35 DUAL POS. SMT	
0 PLC ± -		PRODUCT SPEC		SIZE CAGE CODE DRAWING NO RESTRICTED TO	
1 PLC ± -		APPLICATION SPEC		A3 00779 C-1473151	
2 PLC ± -		WEIGHT		SCALE SHEET OF REV	
3 PLC ± -		CUSTOMER DRAWING		1-1 2 OF 2 0	
4 PLC ± -					
ANGLES ± -					
MATERIAL		FINISH			

单击下面可查看定价，库存，交付和生命周期等信息

[>>TE Connectivity\(泰科\)](#)