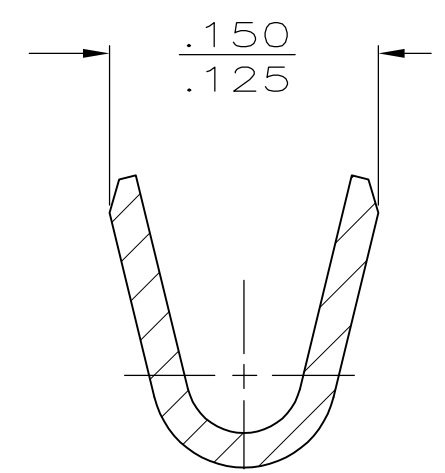
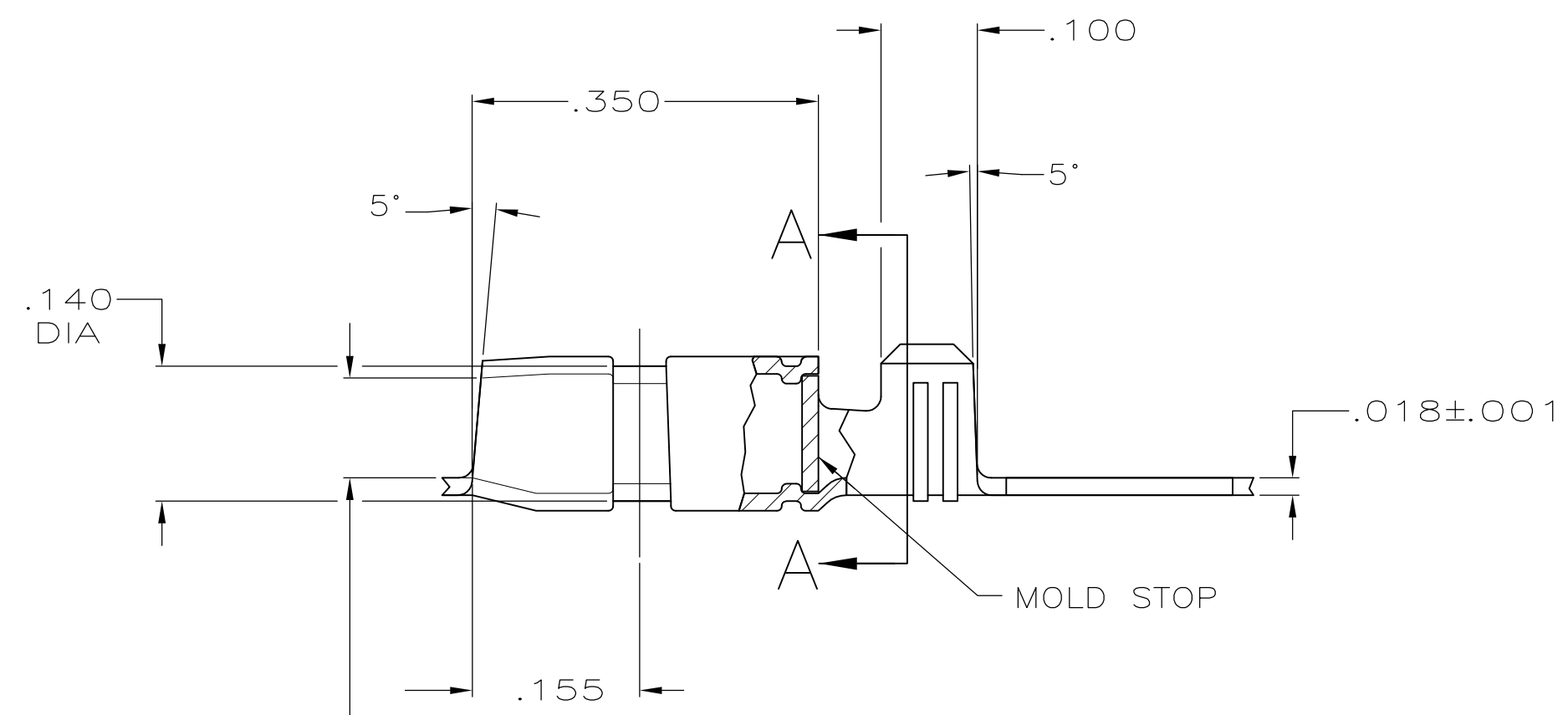
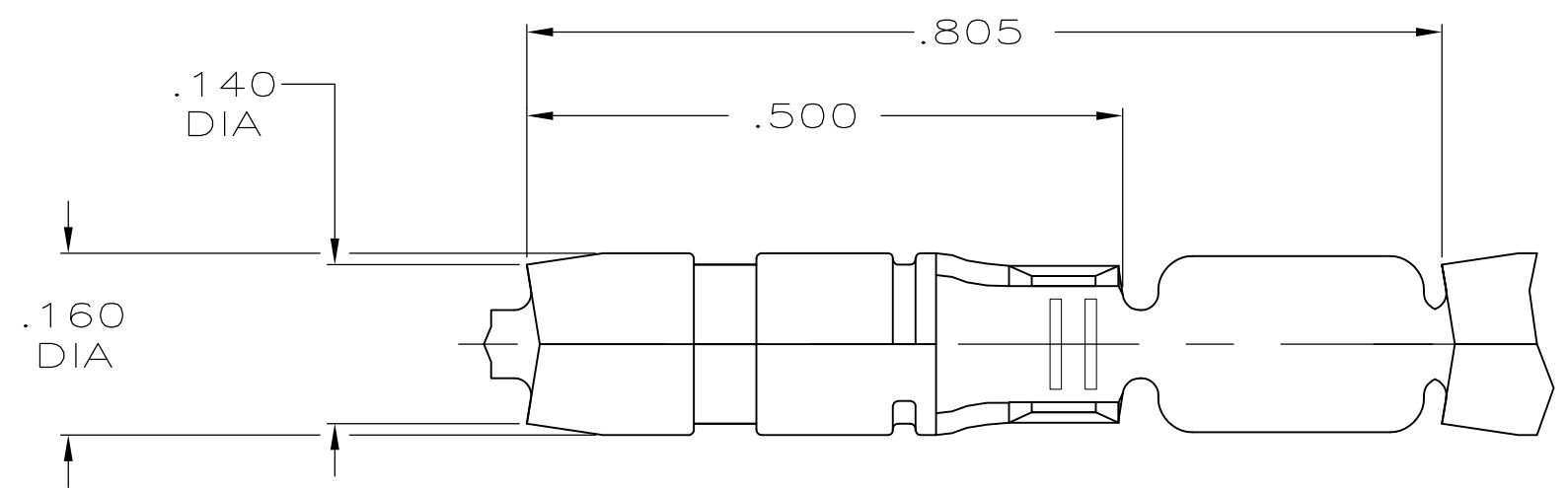


THIS DRAWING IS UNPUBLISHED. RELEASED FOR PUBLICATION  
 © COPYRIGHT BY TYCO ELECTRONICS CORPORATION. ALL INTERNATIONAL RIGHTS RESERVED.

LOC	DIST	REVISIONS			
P	LTR	DESCRIPTION	DATE	DWN	APVD
AF	50	F	REVISED PER ECR-09-007435	01APR09	HMR DD

- 1 CONTINUOUS STRIP ON REEL.
- 2 WIRE SIZE IS 18-14 AWG.
- 3 PRELIMINARY - NOT FOR PRODUCTION



TIN PLATE	3 1217606-2
PRE-TIN PLATE	1217606-1
FINISH	PART NO.

THIS DRAWING IS A CONTROLLED DOCUMENT.		DWN	JR RUTH	07MAR01	Tyco Electronics Corporation Harrisburg, PA 17105-3608			
DIMENSIONS: INCHES		CHK	MS FEHER	07MAR01				
		APVD	D DECKER	07MAR01	NAME			
TOLERANCES UNLESS OTHERWISE SPECIFIED:		PRODUCT SPEC			SHUR PLUG, .156 DIA			
0 PLC ± -		APPLICATION SPEC			SIZE	CAGE CODE	DRAWING NO	RESTRICTED TO
1 PLC ± -		WEIGHT			A3 00779		C-1217606	-
2 PLC ± -		CUSTOMER DRAWING			SCALE	SHEET	REV	
3 PLC ± .010					6:1	1 OF 1	F	
4 PLC ± -								
ANGLES ± -								
FINISH								
081 BRASS								
SEE TABLE								

单击下面可查看定价，库存，交付和生命周期等信息

[>>TE Connectivity\(泰科\)](#)