

THIS DRAWING IS UNPUBLISHED. RELEASED FOR PUBLICATION  
 © COPYRIGHT BY TYCO ELECTRONICS CORPORATION. ALL RIGHTS RESERVED.

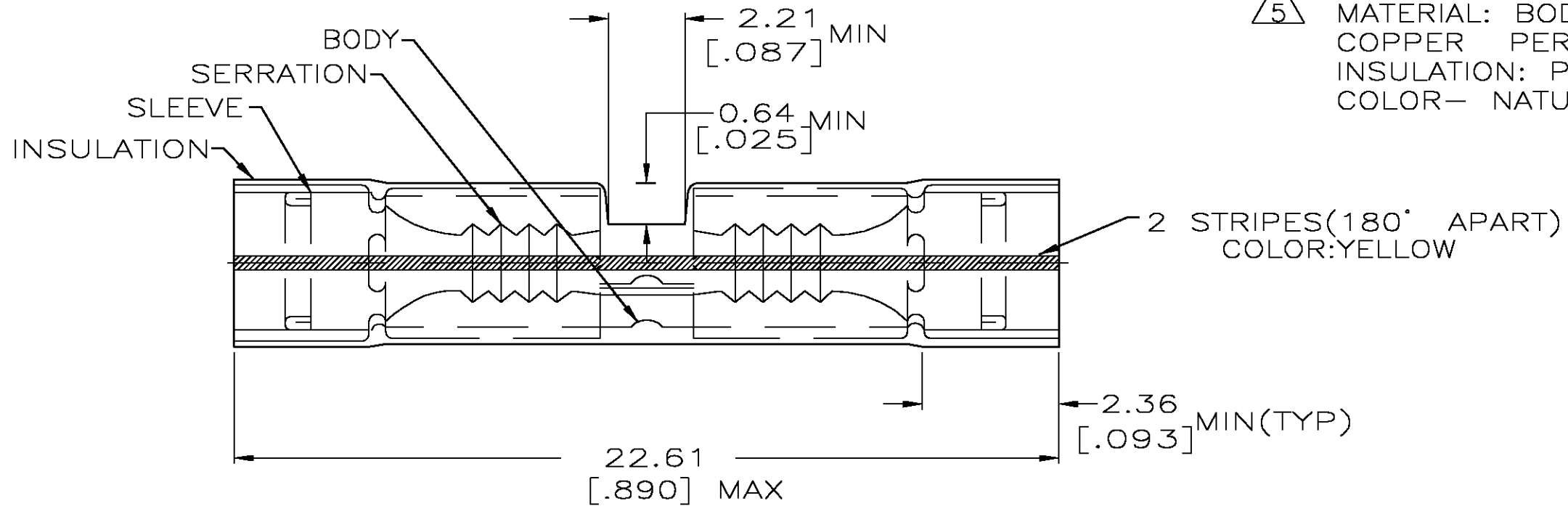
LOC	DIST	REVISIONS					
		P	LTR	DESCRIPTION	DATE	DWN	APVD
G	14		M	REV PER 0G3A-0582-04	31AUG04	JR	TM

**AMP**  
WIRE RANGE

---

26-22 AWG  
STRANDED

- 1 WIRE INSULATION DIA 1.27 [.050] TO 2.08 [.082].
- 2 26-22 COMMERCIAL
- 3 SUPERSEDED BY 53546-1
- 4 FINISH: BODY AND SLEEVE: TIN/LEAD (93-7) PLATE PER ASTM B545. (3% MIN LEAD CONTENT)
- 5 MATERIAL: BODY AND SLEEVE, COPPER PER ASTM B152 INSULATION: PVF<sup>2</sup> COLOR- NATURAL



-	1000	LOOSE PIECE	2 53546-3 3 53546-1
26-24 M7928/6-1 CLASS 1 & 2	1000		
MILITARY P/N & CLASS PER MIL-T-7928	QTY	PACKAGE TYPE	PART NO

<b>AMP INCORPORATED CUSTOMER SERVICE SYSTEMS</b>		MAX RECOMMENDED OPERATING TEMPERATURE: 150°C
FOR ADDITIONAL PRODUCT INFORMATION OR COPIES OF DRAWINGS AND TECHNICAL DOCUMENTS	PRODUCT INFORMATION CENTER 1-800-522-6752	VOLTAGE RATING: -
FOR APPLICATION TOOLING INFORMATION	TOOLING ASSISTANCE CENTER 1-800-722-1111	CIRCULAR MIL AREA: 0.10-0.41mm <sup>2</sup> [202-810] STRANDED
FOR ORDER ENTRY	1-800-526-5142	THIS DRAWING IS A CONTROLLED DOCUMENT FOR AMP INCORPORATED. IT IS SUBJECT TO CHANGE AND THE CONTROLLING ENGINEERING ORGANIZATION SHOULD BE CONTACTED FOR THE LATEST REVISION.

THIS DRAWING IS A CONTROLLED DOCUMENT.	
DIMENSIONS: MM [INCHES]	TOLERANCES UNLESS OTHERWISE SPECIFIED:
	0 PLC ± -
	1 PLC ± -
	2 PLC ± 0.20 [.008]
	3 PLC ± -
	4 PLC ± -
	ANGLES ± -
MATERIAL	FINISH
- 5	- 4

DWN S.S. GOULDEN 9-28-93	Tyco Electronics Corporation Harrisburg, Pa 17105-3608	
CHK R. HERSEY 9-28-93	NAME SPLICE, BUTT, PVF <sup>2</sup> , P.I.D.G. WIRE SIZE: 26-22 AWG , P.I.D.G.,	
APVD M ELLIS 9-28-93	PRODUCT SPEC 108-11023	
APPLICATION SPEC	SIZE A3	CAGE CODE 00779
WEIGHT -	DRAWING NO C-53546	RESTRICTED TO -
CUSTOMER DRAWING		SCALE 1:1 SHEET 1 OF 1 REV M

单击下面可查看定价，库存，交付和生命周期等信息

[>>TE Connectivity\(泰科\)](#)