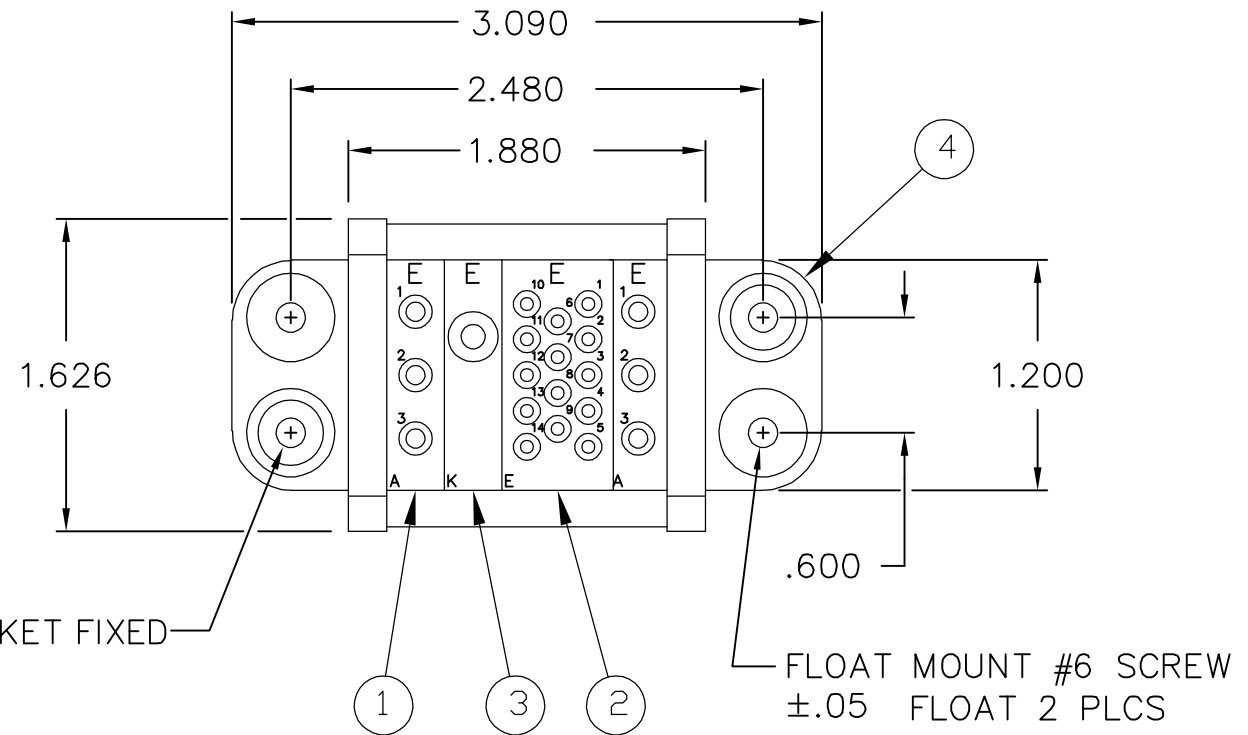


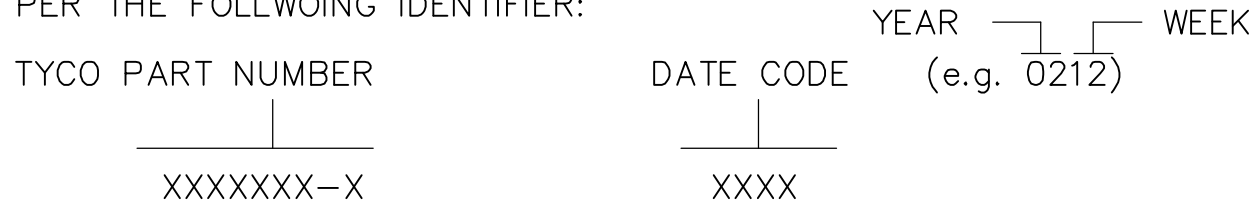
THIS DRAWING IS UNPUBLISHED. RELEASED FOR PUBLICATION
 © COPYRIGHT BY TYCO ELECTRONICS CORPORATION. ALL RIGHTS RESERVED.

LOC	DIST	REVISIONS					
GP	00	P	LTR	DESCRIPTION	DATE	DWN	APVD
			A	RELEASED	31MAY06	RG	SF



1. PART NUMBER CHANGES AND/OR DESIGN CHANGES AFFECTING ITEM INTERCHANGABILITY REQUIRE PRIOR TYCO APPROVAL AND AUTHORIZATION BY REVISION TO THIS DRAWING.

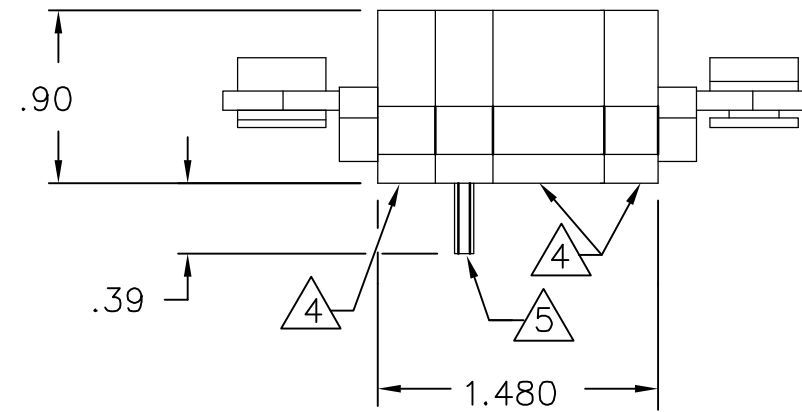
2. ITEMS PROVIDED TO THIS SPECIFICATION TO BE PERMANENTLY IDENTIFIED PER THE FOLLWOING IDENTIFIER:



△ 4 MODULES NOTED ARE CRIMP REMOVABLE STYLE. CONTACTS ARE NOT SUPPLIED WITH CONNECTOR. CONTACT PART NO'S ARE AS FOLLOWS:

- 6648318-1 (SOCKET #12)
- 6648319-1 (SOCKET #16)

△ 5 TYCO CRIMP TOOL P/N 1766453-1 IS REQUIRED AND IS NOT SUPPLIED WITH ASSEMBLY.

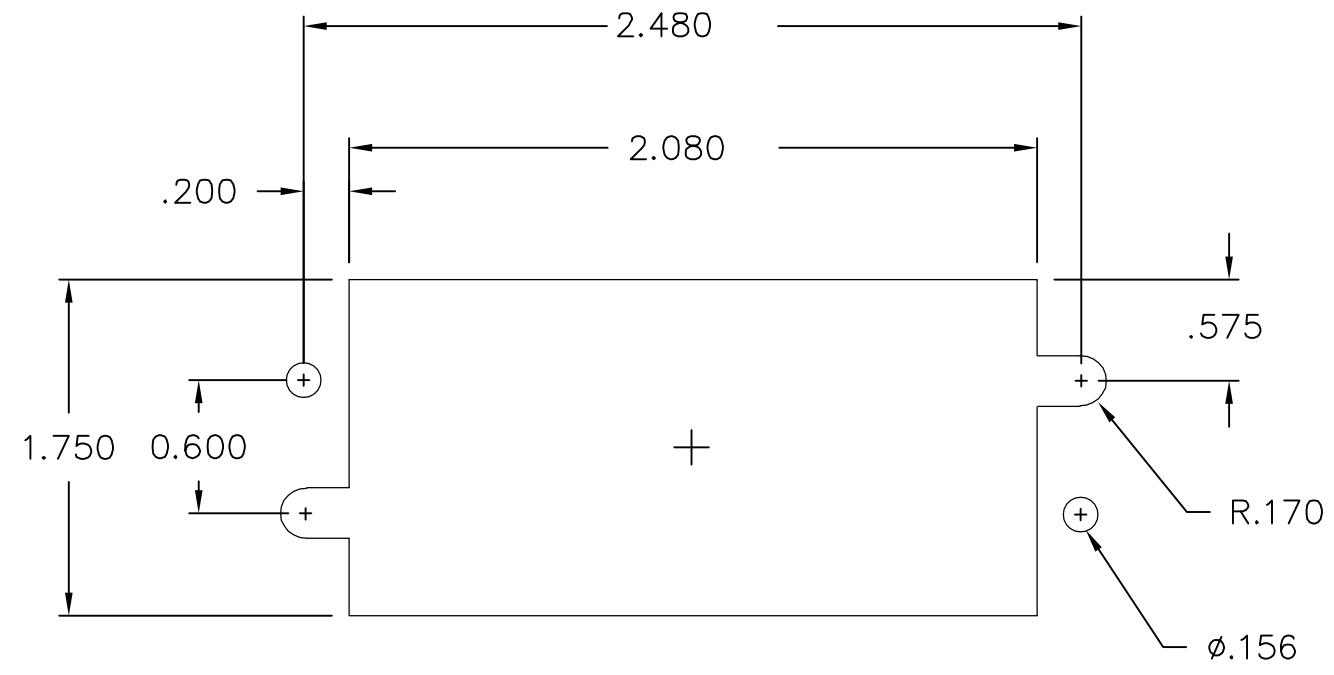


2	6648252-1	GUIDE SOCKET FLOAT MOUNT	4
1	6648476-1	MODULE K	3
1	1648470-1	MODULE E	2
2	1648466-1	MODULE A	1
-1	PART NUMBER	DESCRIPTION	ITEM NO.

THIS DRAWING IS A CONTROLLED DOCUMENT.		DWN	R.GRZYBOWSKI	31MAY2006	Tyco Electronics Corporation Harrisburg, PA 17105-3608		
DIMENSIONS: INCHES		CHK	S.FLICKINGER	31MAY06	NAME		
TOLERANCES UNLESS OTHERWISE SPECIFIED:		APVD	S.FLICKINGER	31MAY06	PRODUCT SPEC		
0 PLC ± - 1 PLC ± - 2 PLC ± .032 3 PLC ± .016 4 PLC ± - ANGLES ± .5		APPLICATION SPEC		SOCKET CONNECTOR DOMINO W/ PANEL CUT-OUT			
MATERIAL		WEIGHT		SIZE	CAGE CODE	DRAWING NO	RESTRICTED TO
-		-		A3	00779	C-6643949	-
CUSTOMER DRAWING				SCALE	1:1	SHEET	1 OF 2
				REV	A		

THIS DRAWING IS UNPUBLISHED. RELEASED FOR PUBLICATION
 © COPYRIGHT - BY TYCO ELECTRONICS CORPORATION. ALL RIGHTS RESERVED.

LOC	DIST	REVISIONS					
GP	00	P	LTR	DESCRIPTION	DATE	DWN	APVD
		-		SEE SHEET 1	-	-	-



SUGGESTED PANEL CUT-OUT

THIS DRAWING IS A CONTROLLED DOCUMENT.		DWN R.GRZYBOWSKI 31MAY2006	Tyco Electronics Corporation Harrisburg, PA 17105-3608	
DIMENSIONS: INCHES		CHK S.FLICKINGER 31MAY06	NAME	
		APVD S.FLICKINGER 31MAY06	SOCKET CONNECTOR DOMINO W/ PANEL CUT-OUT	
TOLERANCES UNLESS OTHERWISE SPECIFIED:		PRODUCT SPEC	RESTRICTED TO	
0 PLC ± -		APPLICATION SPEC	SIZE	CAGE CODE
1 PLC ± -		WEIGHT	A3	00779
2 PLC ± .032			DRAWING NO	
3 PLC ± .016			C-6643949	
4 PLC ± -			SCALE	
ANGLES ± .5			1:1	
MATERIAL	FINISH	CUSTOMER DRAWING		SHEET
-	-			2 OF 2
				REV
				A

单击下面可查看定价，库存，交付和生命周期等信息

[>>TE Connectivity\(泰科\)](#)