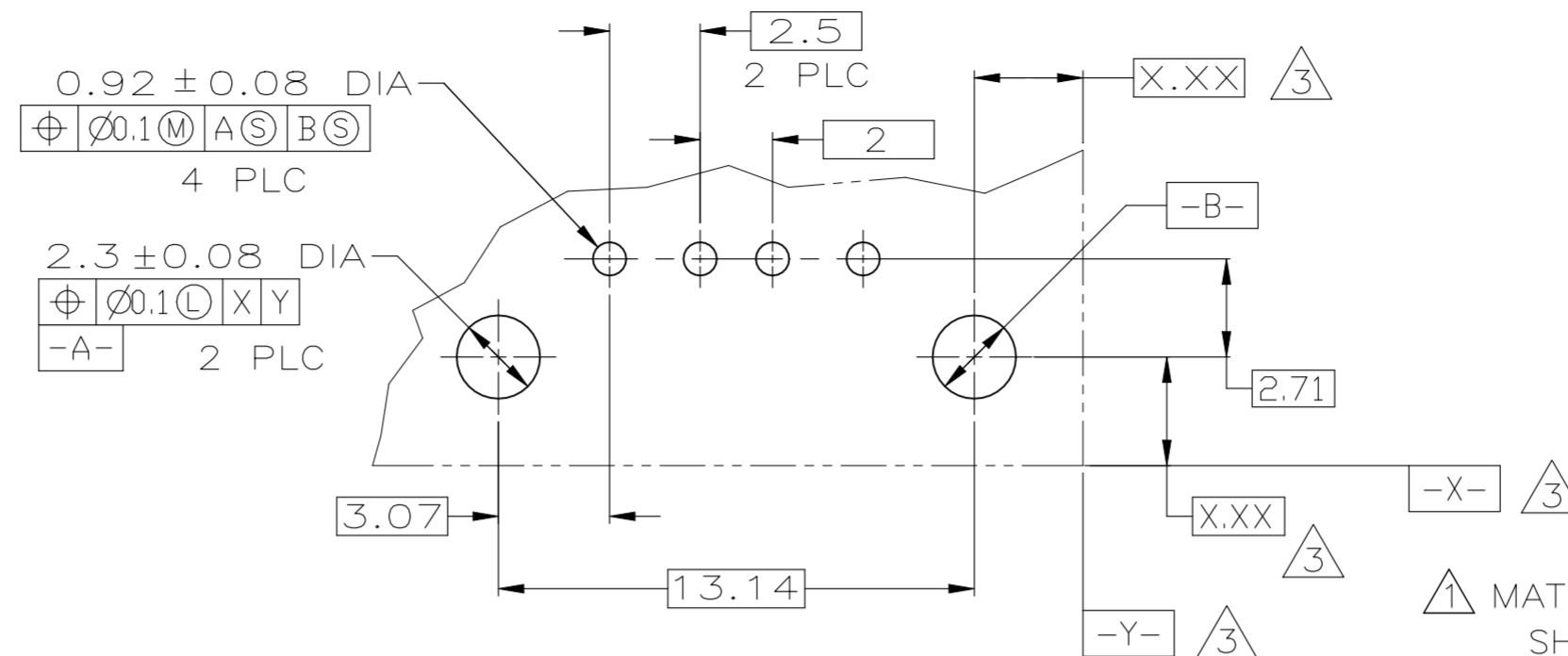
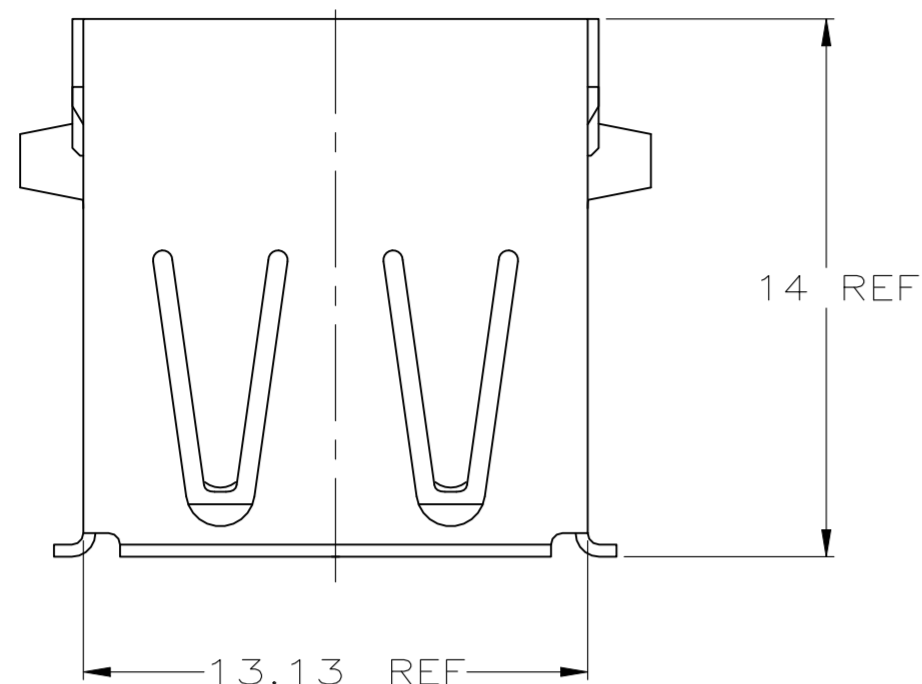
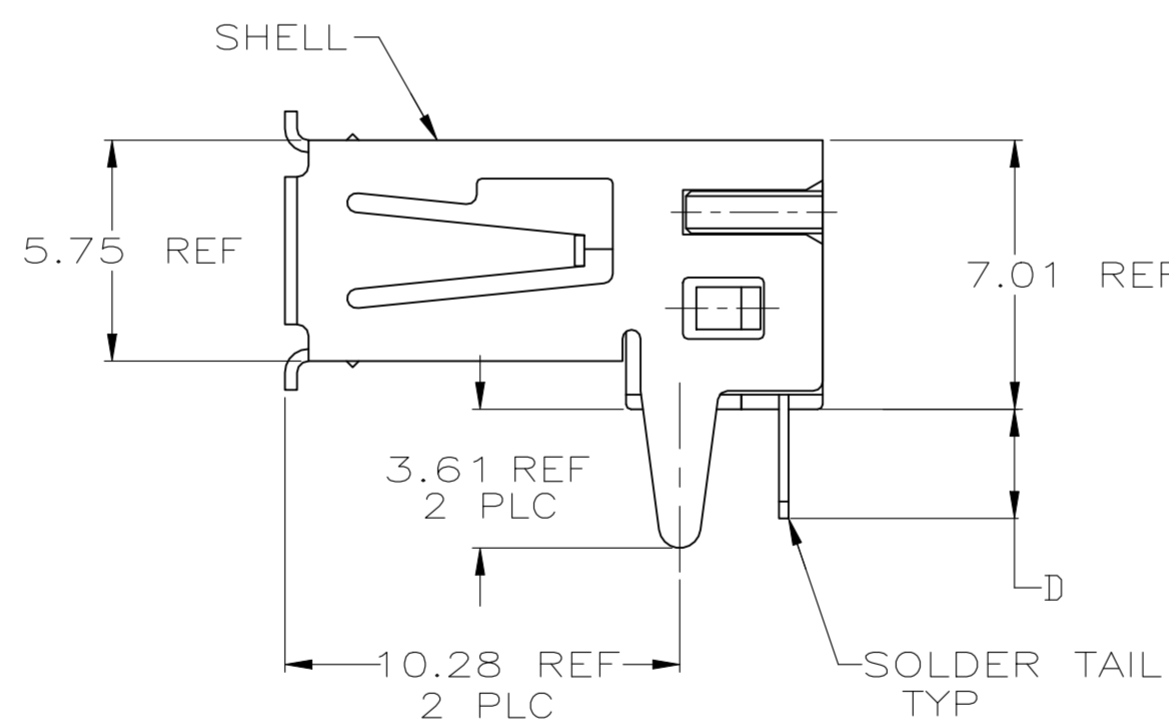
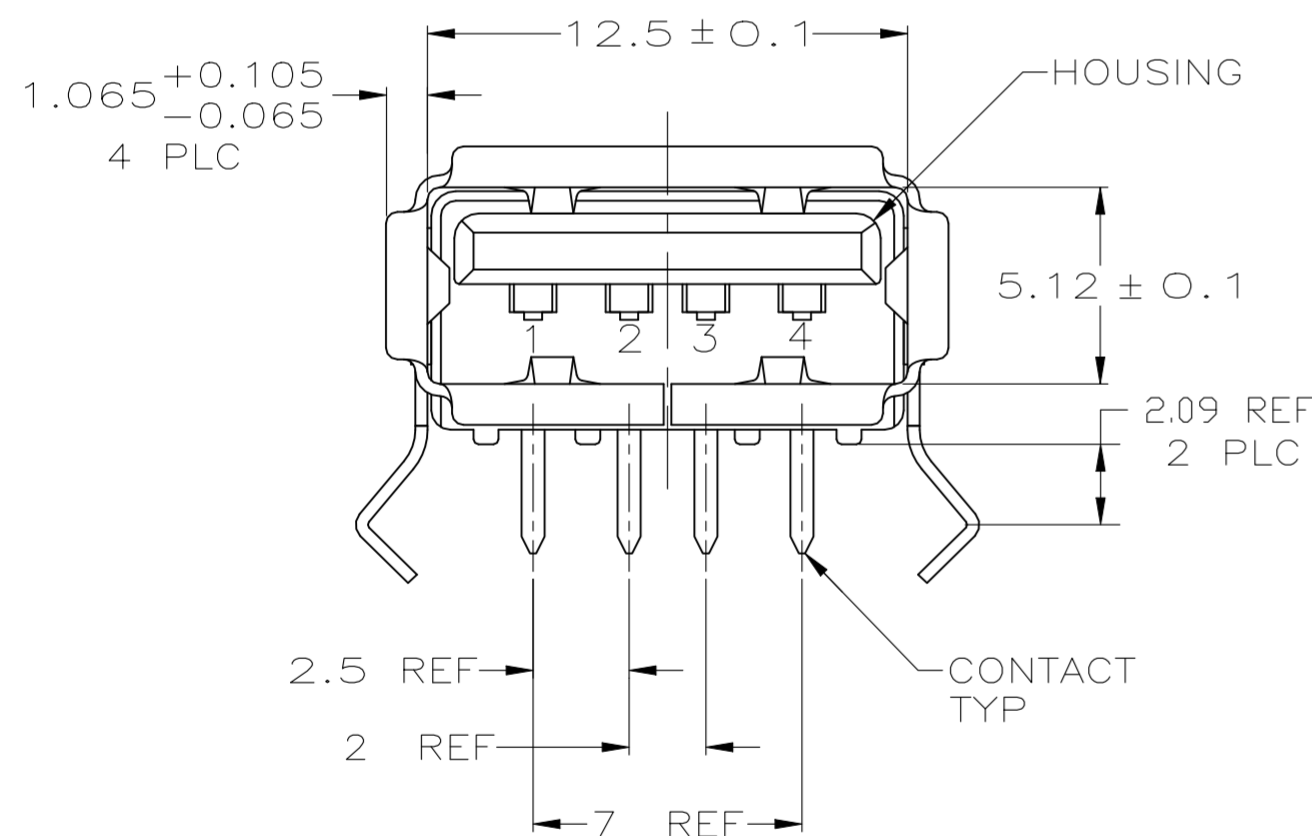


REVISIONS					
P	LTR	DESCRIPTION	DATE	DWN	APVD
G		REVISED PER ECN-21-125525	12NOV2021	AK	SZ



PC BOARD MOUNTING DIMENSIONS ④

- ① MATERIAL:  
SHELL: STAINLESS STEEL & CONTACTS- COPPER ALLOY.  
HOUSING: UL 94V-0 RATED, THERMOPLASTIC, COLOR SEE TABLE.
- ② PLATING:  
CONTACTS: 0.076μm MINIMUM GOLD OVER 0.76μm MINIMUM PALLADIUM-NICKEL ON MATING AREA.  
3.8μm MINIMUM MATTE TIN ON SOLDER TAILS.  
BOTH OVER 1.27μm MINIMUM NICKEL.  
CONTACT ALTERNATE PLATING: 0.76μm MIN GOLD ON MATING AREA, 3.80μm MIN MATTE TIN ON SOLDER TAILS, BOTH OVER 1.27μm MIN NICKEL.  
SHELL: 2~5μm MINIMUM BRIGHT TIN
- ③ DATUM AND BASIC DIMENSIONS ESTABLISHED BY CUSTOMER.
- ④ RECOMMENDED PC BOARD THICKNESS OF 1.57 mm.
- ⑤ PLATING:  
CONTACTS: 0.76μm MINIMUM PALLADIUM-NICKEL ON MATING AREA.  
3.8μm MINIMUM MATTE TIN ON SOLDER TAILS.  
BOTH OVER 1.27μm MINIMUM NICKEL.  
SHELL: 2~5μm MINIMUM BRIGHT TIN



⑤	YES	2.84	BLACK	2-292303-0 ⑨
②	YES	2.29	BLACK	1-292303-9 ⑧
②	NO	3.81	BLACK	1-292303-5
②	NO	3.56	BLACK	1-292303-4
②	NO	3.20	BLACK	1-292303-3
②	YES	3.30	BLACK	1-292303-2
②	YES	2.29	BLACK	292303-6
②	YES	2.84	NATURAL	292303-5
②	YES	2.84	BLACK	292303-4
②	NO	2.84	NATURAL	292303-3
②	NO	2.29	BLACK	292303-2
②	NO	2.84	BLACK	292303-1
CONTACT PLATING	HIGH TEMPERATURE COMPATIBLE	D	HOUSING COLOR	PART NUMBER

THIS DRAWING IS A CONTROLLED DOCUMENT.

DWN	J.JIANG	19FEB04
CHK	S.YAO	19FEB04
APVD	T.SASAKI	19FEB04

TE Connectivity Ltd.

RECEPTACLE ASSEMBLY RIGHT  
ANGLE, 4 POSITION, T/H & SMT  
USB, LEAD FREE VERSION

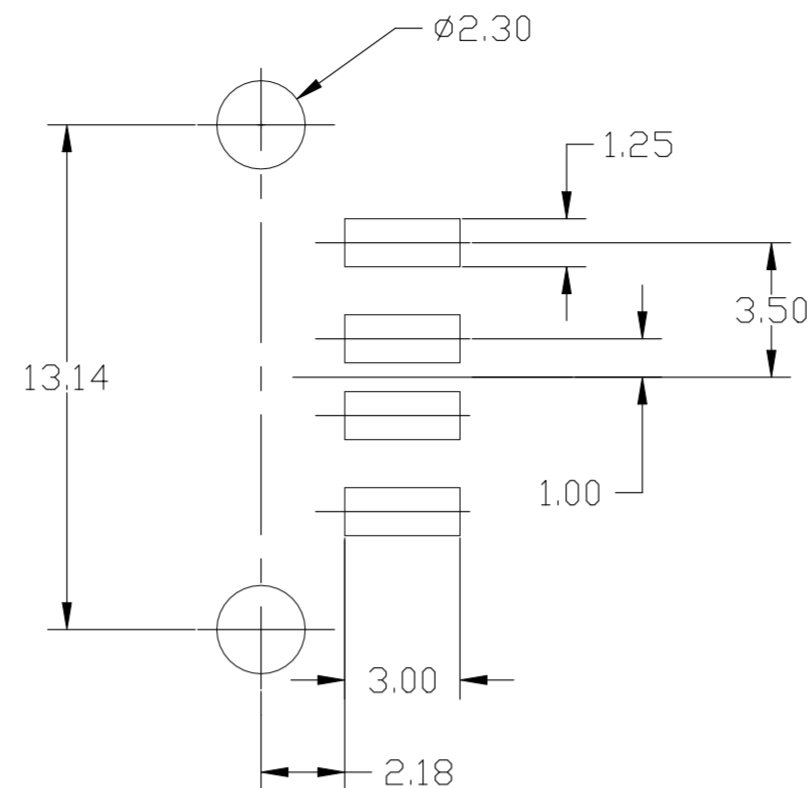
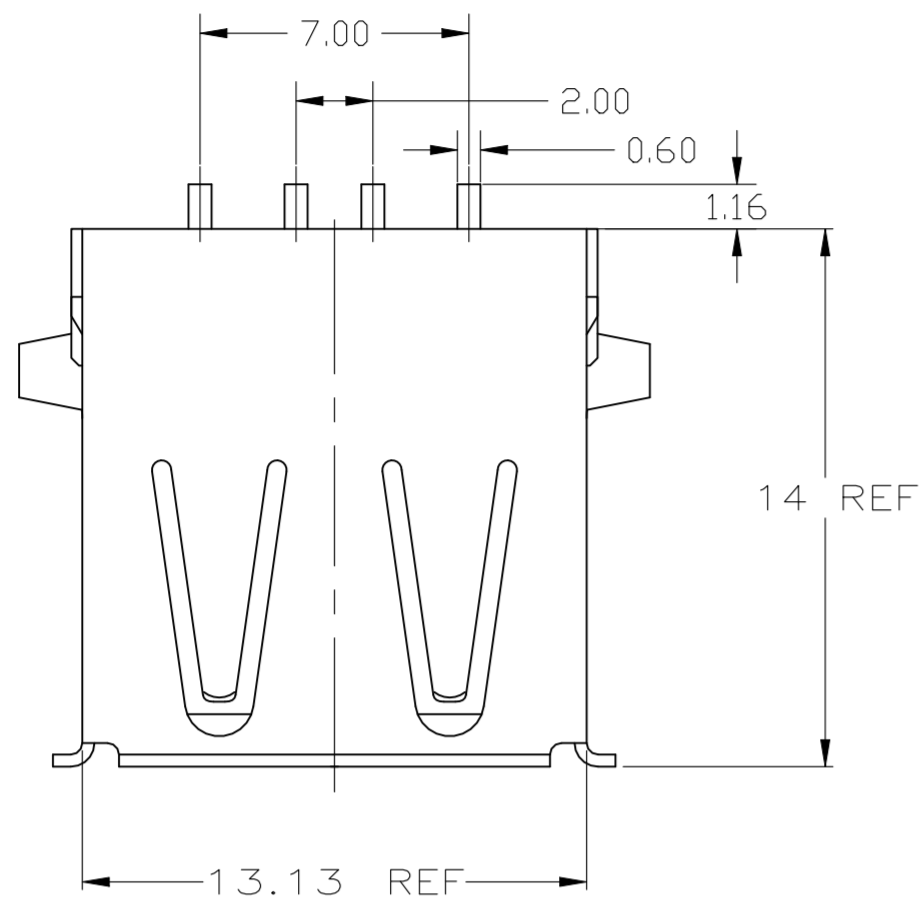
108-60034

SIZE A2 CAGE CODE 00779 C=292303

SCALE 5:1 SHEET 1 OF 5 REV G

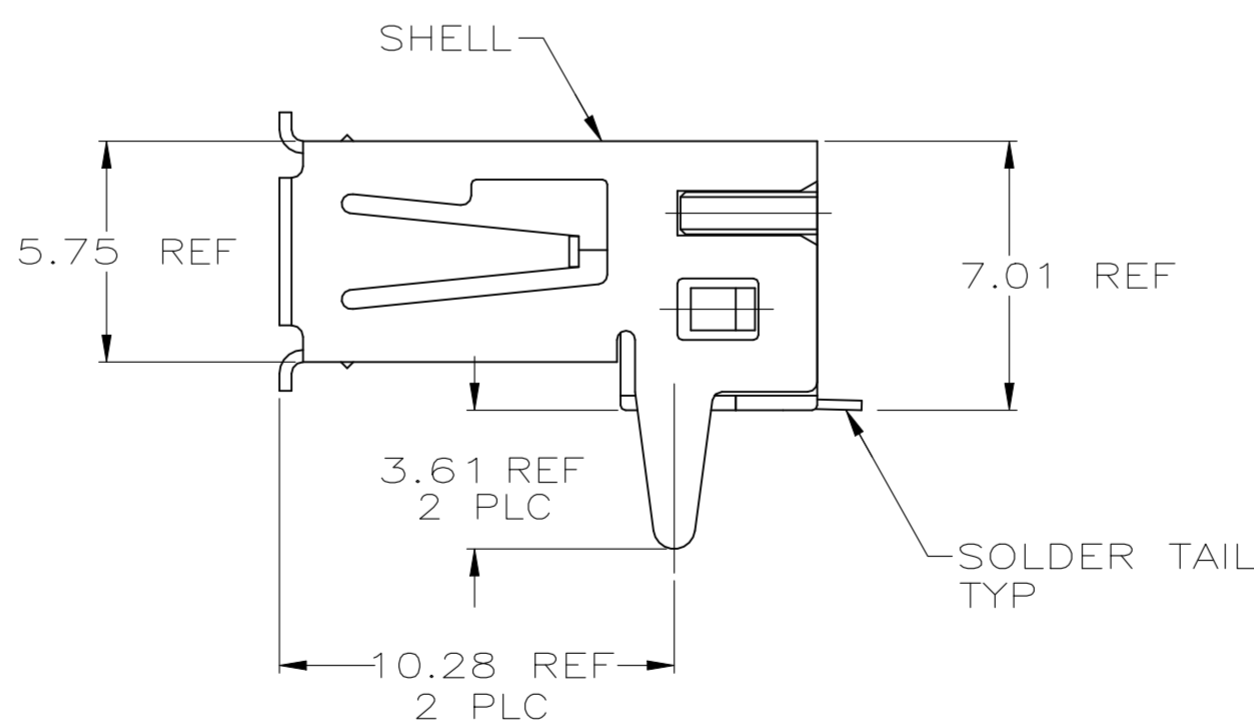
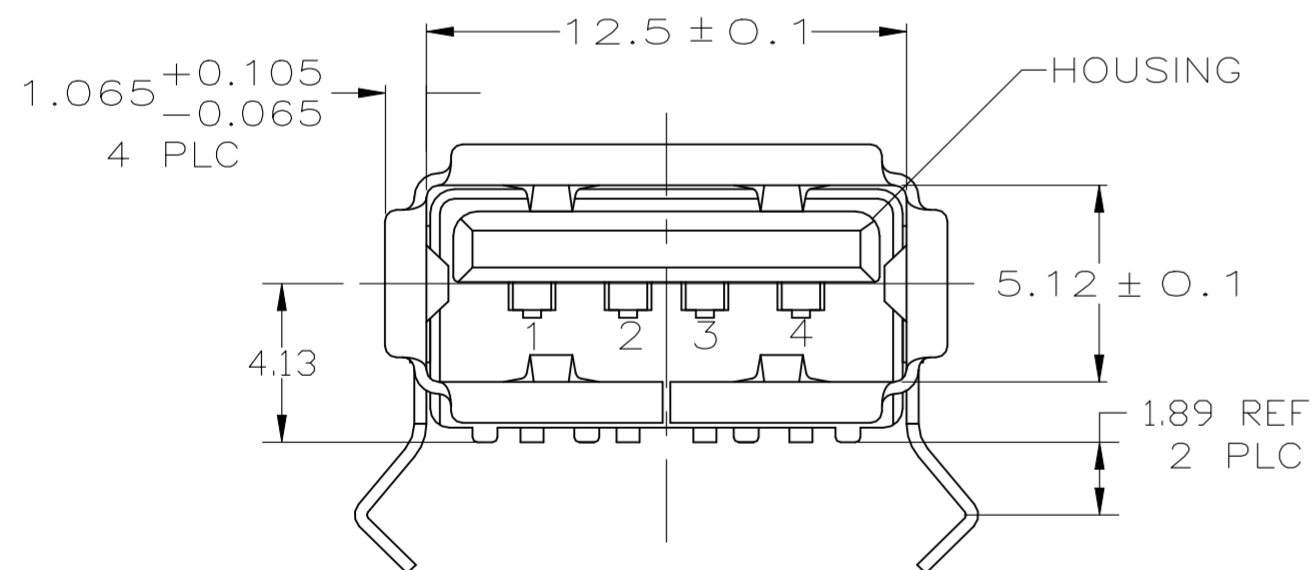
DIMENSIONS:	TOLERANCES UNLESS OTHERWISE SPECIFIED:
mm	
0 PLC	± -
1 PLC	± -
2 PLC	± 0.25
3 PLC	± -
4 PLC	± -
ANGLES	± -
MATERIAL	FINISH
①	SEE TABLE

REVISIONS					
P	LTR	DESCRIPTION	DATE	DWN	APVD
-	-	SEE SHEET 1	-	-	-



- ⚠ MATERIAL:  
SHELL:- STAINLESS STEEL & CONTACTS- COPPER ALLOY.  
HOUSING: UL 94V-0 RATED, THERMOPLASTIC, COLOR SEE TABLE.
- ⚠ PLATING:  
CONTACTS: 0.076 μm MINIMUM GOLD OVER 0.76 μm MINIMUM PALLADIUM-NICKEL ON MATING AREA.  
3.8 μm MINIMUM MATTE TIN ON SOLDER TAILS.  
BOTH OVER 1.27 μm MINIMUM NICKEL.  
CONTACT ALTERNATE PLATING: 0.76μm MIN GOLD ON MATING AREA, 3.80 μm MIN MATTE TIN ON SOLDER TAILS, BOTH OVER 1.27 μm MIN NICKEL.  
SHELL: 2~5 μm MINIMUM BRIGHT TIN
- ⚠ RECOMMENDED PC BOARD THICKNESS OF 1.42.

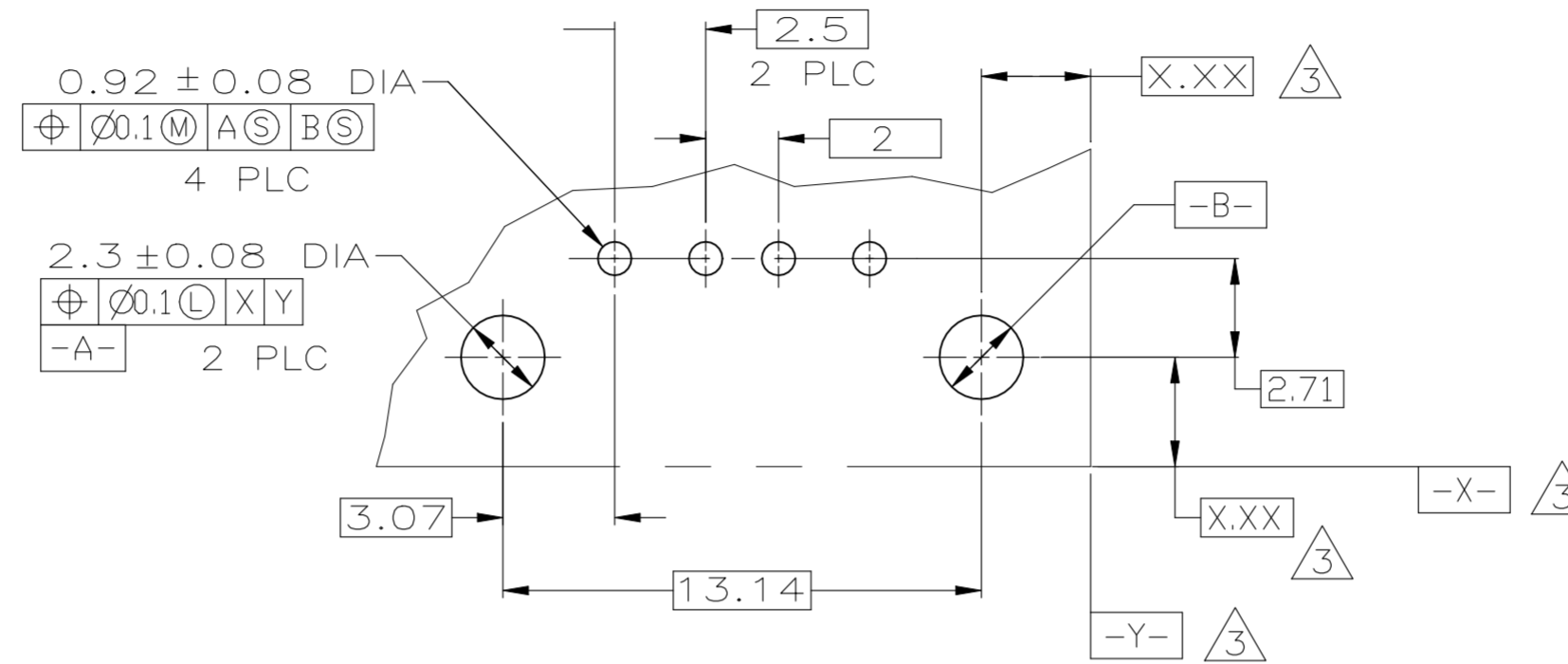
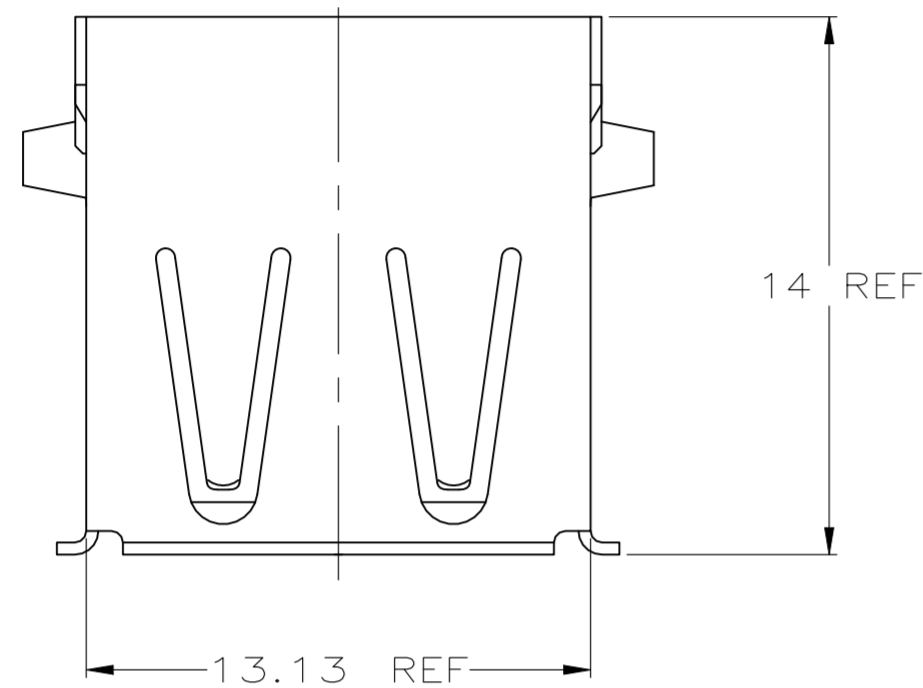
RECOMMENDED PC BOARD MOUNTING LAYOUT ⚠  
(TOLERANCE=±0.05)



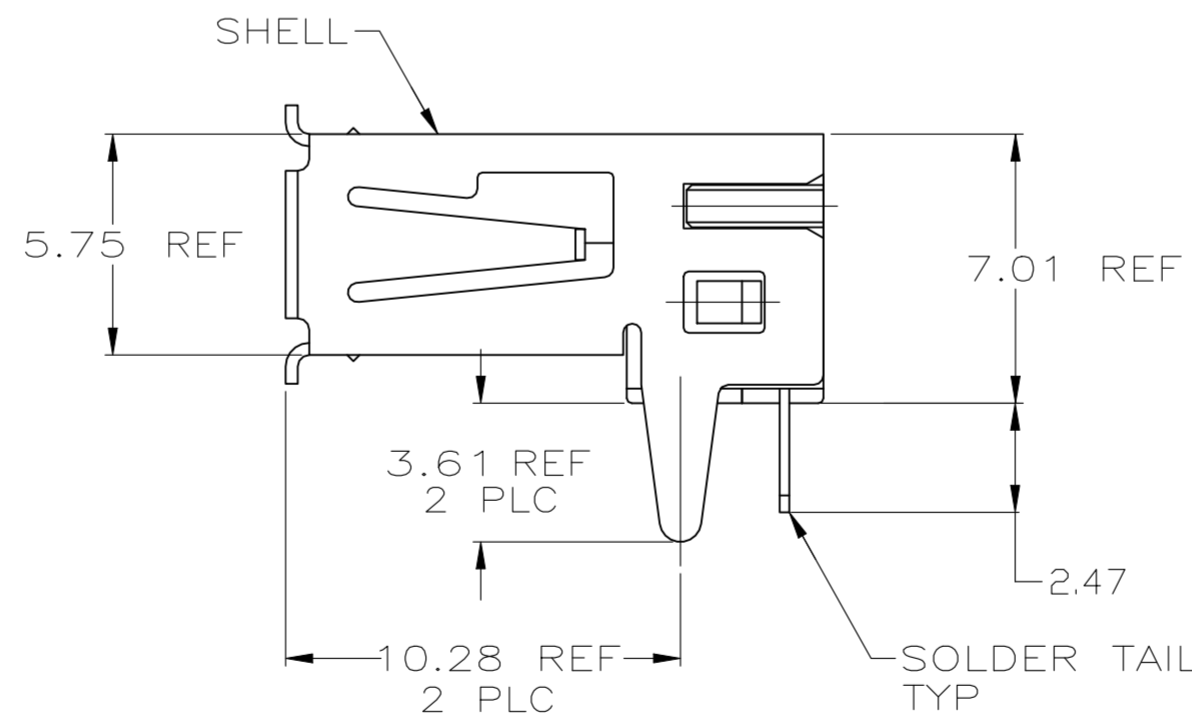
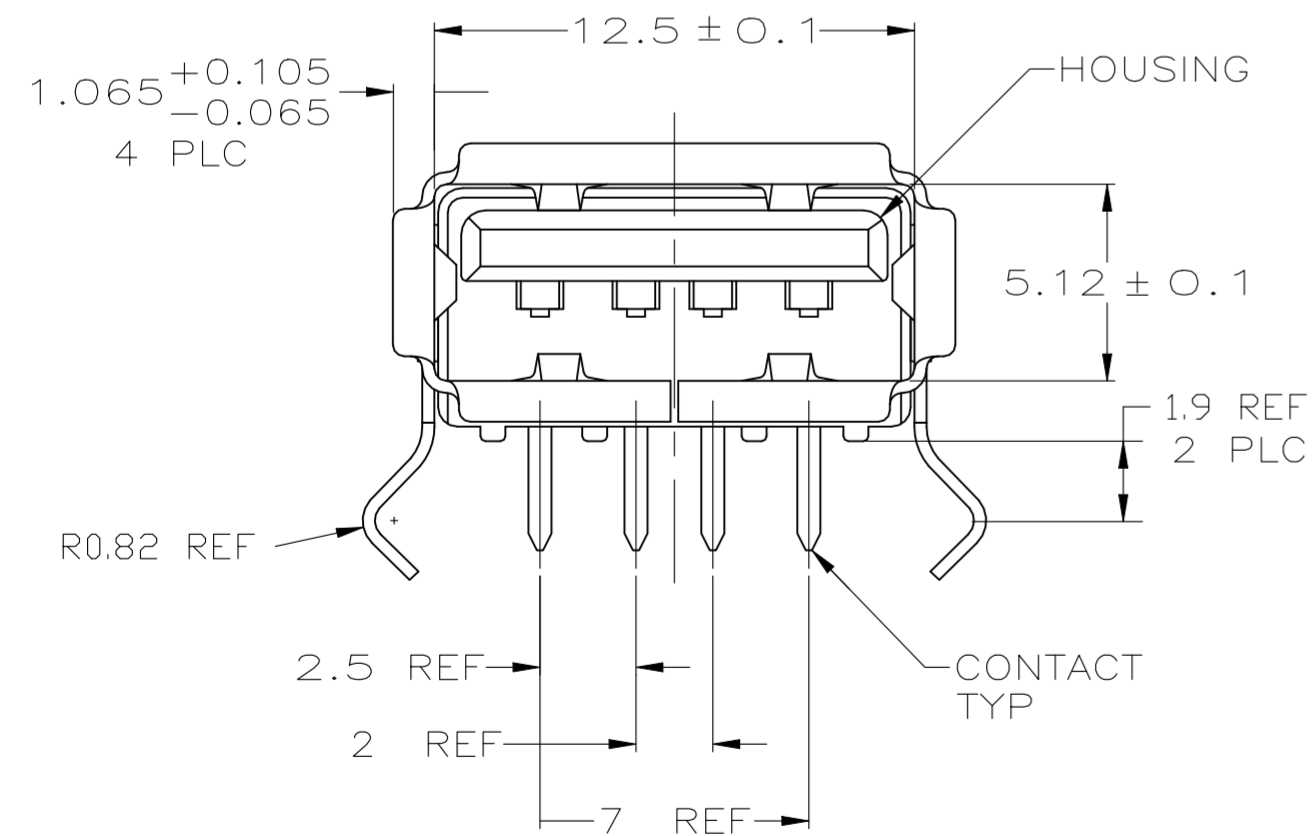
OBSELETE	YES	BLACK	3-292303-1 E10
	YES	BLACK	1-292303-1
	YES	NATURAL	292303-7
	HIGH TEMPERATURE COMPATIBLE	HOUSING COLOR	PART NUMBER

THIS DRAWING IS A CONTROLLED DOCUMENT.		DWN J.JIANG 19FEB04	<b>TE</b> TE Connectivity Ltd.	
DIMENSIONS: mm		CHK S.YAO 19FEB04		
TOLERANCES UNLESS OTHERWISE SPECIFIED:		APVD T.SASAKI 19FEB04	NAME	
0 PLC ± -		PRODUCT SPEC	RECEPTACLE ASSEMBLY RIGHT	
1 PLC ± -		APPLICATION SPEC	ANGLE, 4 POSITION, T/H & SMT	
2 PLC ± 0.25			USB, LEAD FREE VERSION	
3 PLC ± -			SIZE	CAGE CODE
4 PLC ± -			A2	00779
ANGLES ± -			DRAWING NO	RESTRICTED TO
FINISH		WEIGHT	C=292303	-
⚠ 1		CUSTOMER DRAWING	SCALE 5:1	SHEET 2 of 5
⚠ 2			REV	G

REVISIONS					
P	LTR	DESCRIPTION	DATE	DWN	APVD
-	-	SEE SHEET 1	-	-	-



PC BOARD MOUNTING DIMENSIONS 4



- 1 MATERIAL:  
SHELL:- STAINLESS STEEL & CONTACTS- COPPER ALLOY.  
HOUSING: UL 94V-0 RATED, THERMOPLASTIC, COLOR SEE TABLE.
- 2 PLATING:  
CONTACTS: 0.076 μm MINIMUM GOLD OVER 0.76 μm MINIMUM PALLADIUM-NICKEL ON MATING AREA.  
3.8 μm MINIMUM MATTE TIN ON SOLDER TAILS.  
BOTH OVER 1.27 μm MINIMUM NICKEL.  
CONTACT ALTERNATE PLATING: 0.76 μm MIN GOLD ON MATING AREA, 3.80 μm MIN MATTE TIN ON SOLDER TAILS, BOTH OVER 1.27 μm MIN NICKEL.  
SHELL: 2~5 μm MINIMUM BRIGHT TIN
- 3 DATUM AND BASIC DIMENSIONS ESTABLISHED BY CUSTOMER.
- 4 RECOMMENDED PC BOARD THICKNESS OF 1.2.

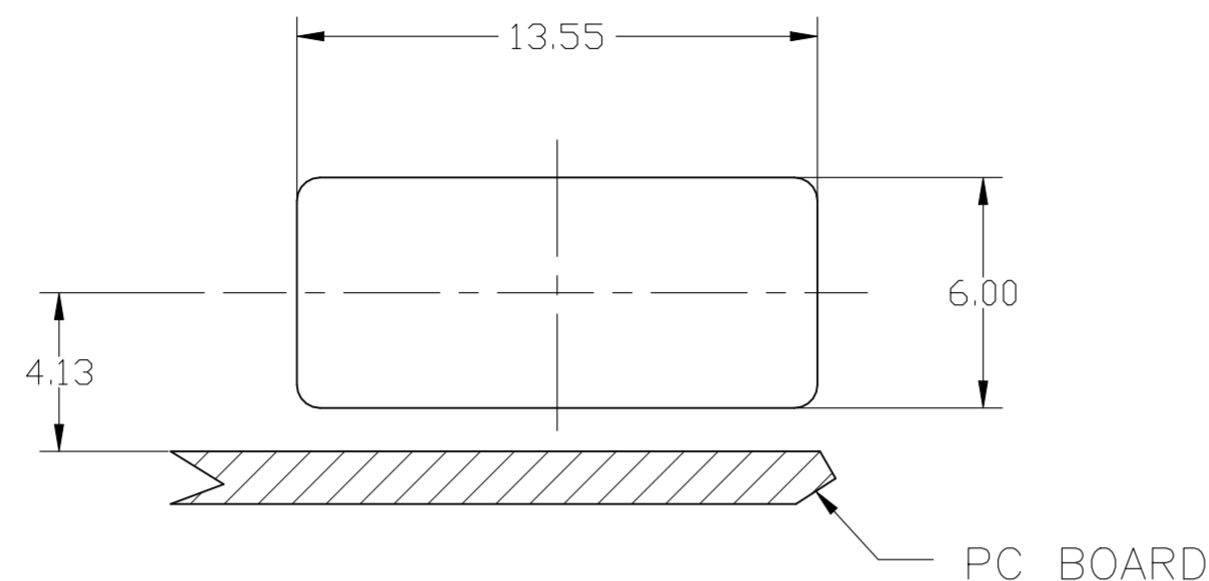
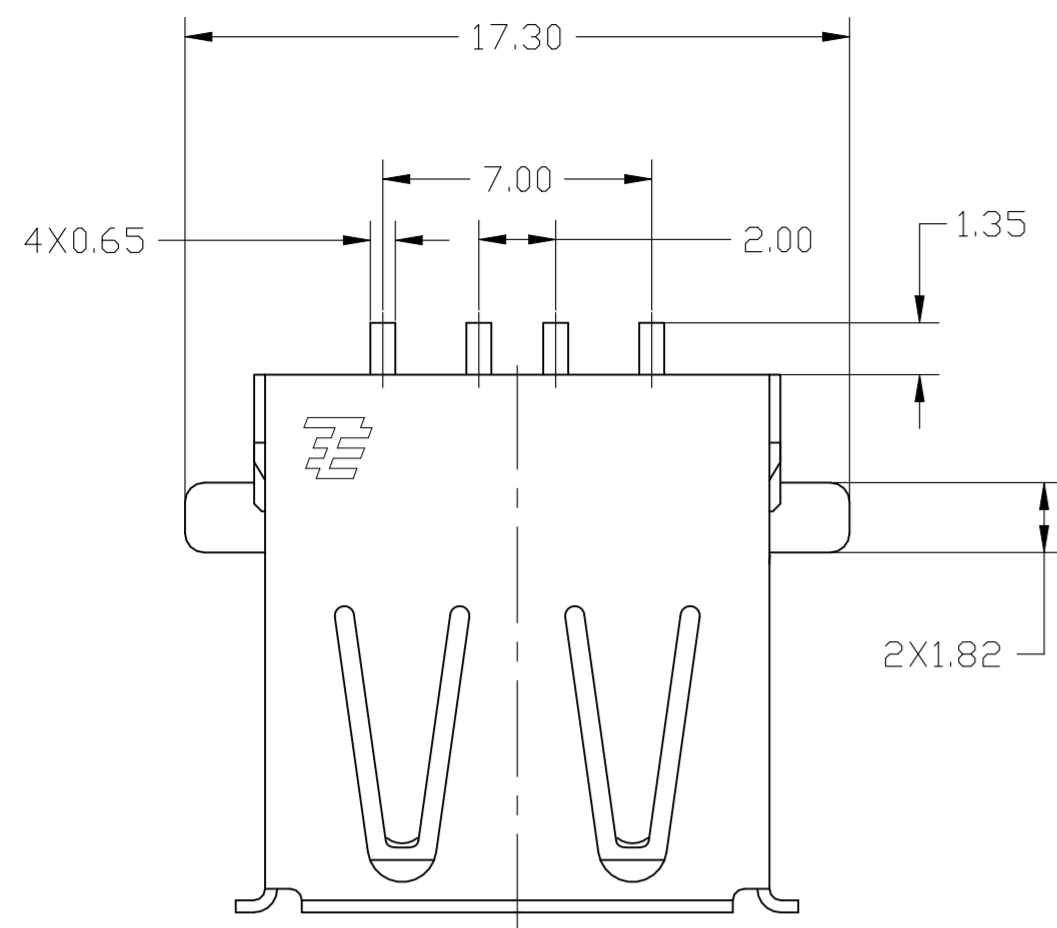
NO	NATURAL	292303-8
HIGH TEMPERATURE COMPATIBLE	HOUSING COLOR	PART NUMBER
<b>TE</b> TE Connectivity Ltd.		
RECEPTACLE ASSEMBLY RIGHT ANGLE, 4 POSITION, T/H & SMT USB, LEAD FREE VERSION		
SIZE	CAGE CODE	DRAWING NO
A2	00779	C=292303
SCALE	SHEET	REV
5:1	3 of 5	G

THIS DRAWING IS A CONTROLLED DOCUMENT.	
DIMENSIONS:	TOLERANCES UNLESS OTHERWISE SPECIFIED:
mm	
	0 PLC ± -
	1 PLC ± -
	2 PLC ± 0.25
	3 PLC ± -
	4 PLC ± -
	ANGLES ± -
MATERIAL	FINISH
1	2

DWN	19FEB04
J.JIANG	
CHK	19FEB04
S.YAO	
APVD	19FEB04
T.SASAKI	
PRODUCT SPEC	
108-60034	
APPLICATION SPEC	
WEIGHT	-
CUSTOMER DRAWING	

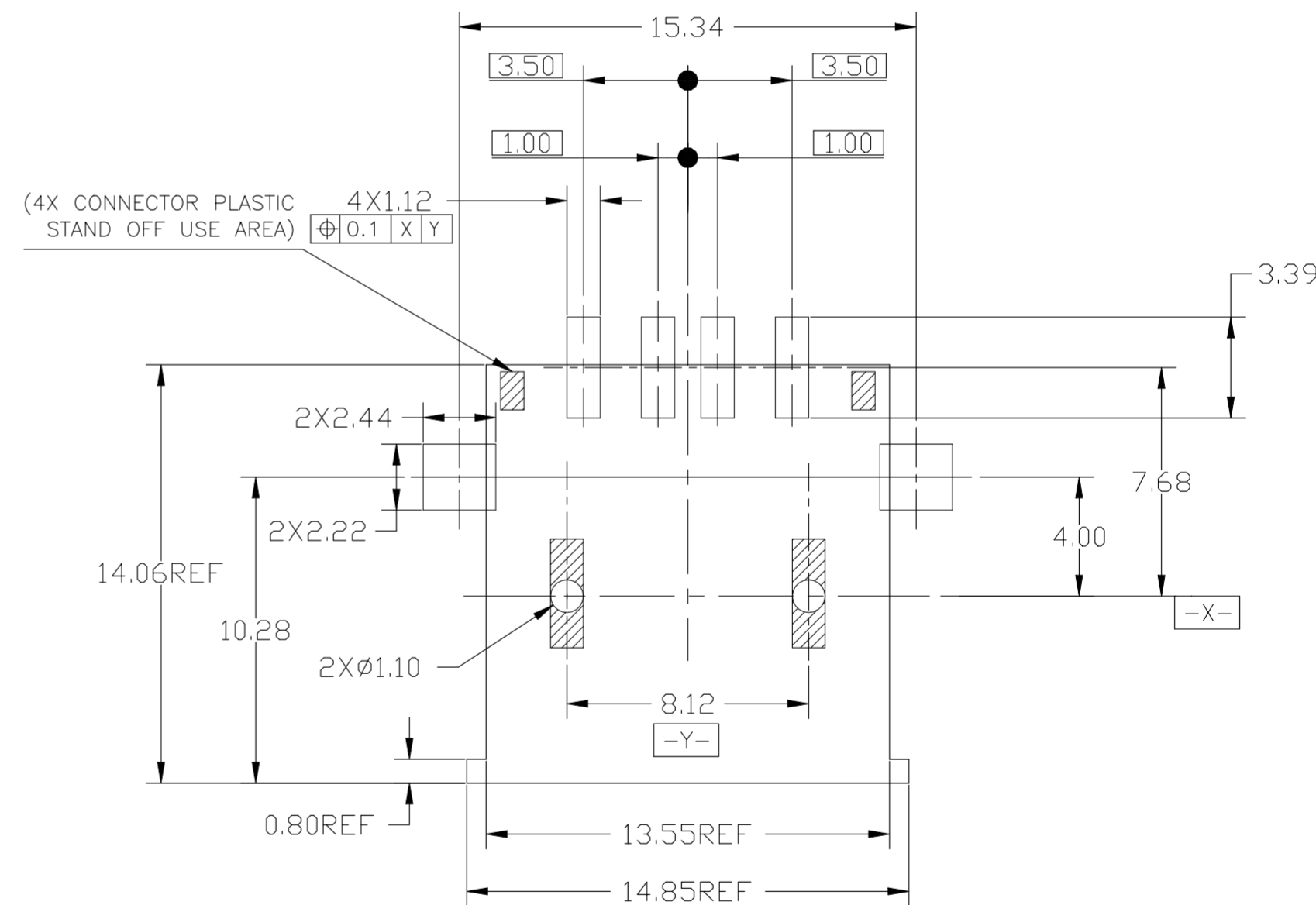
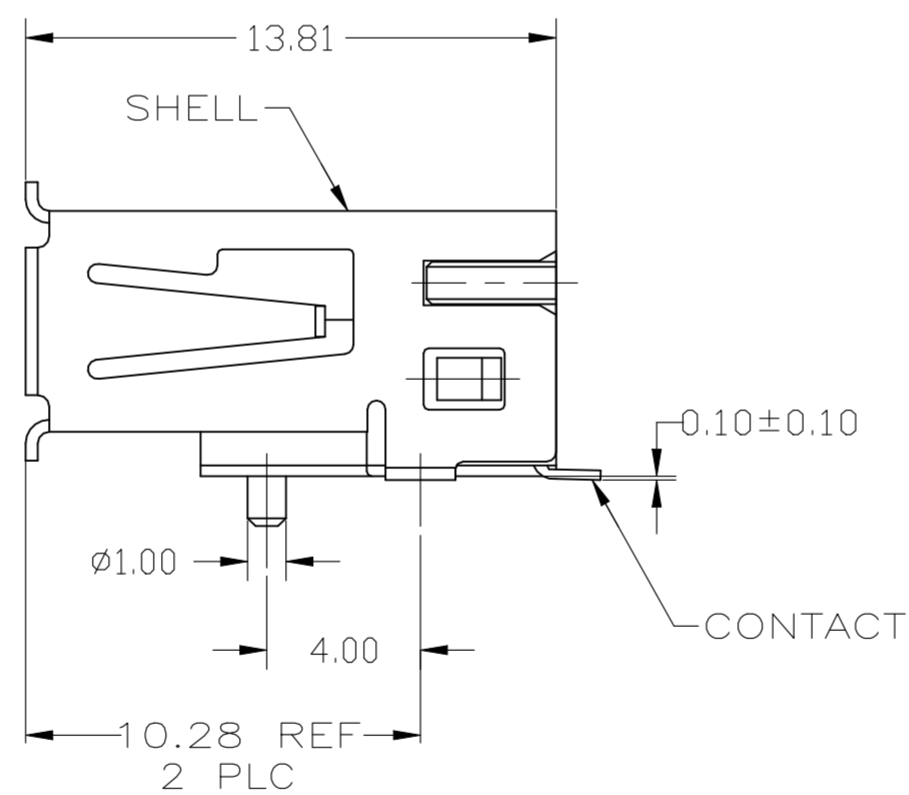
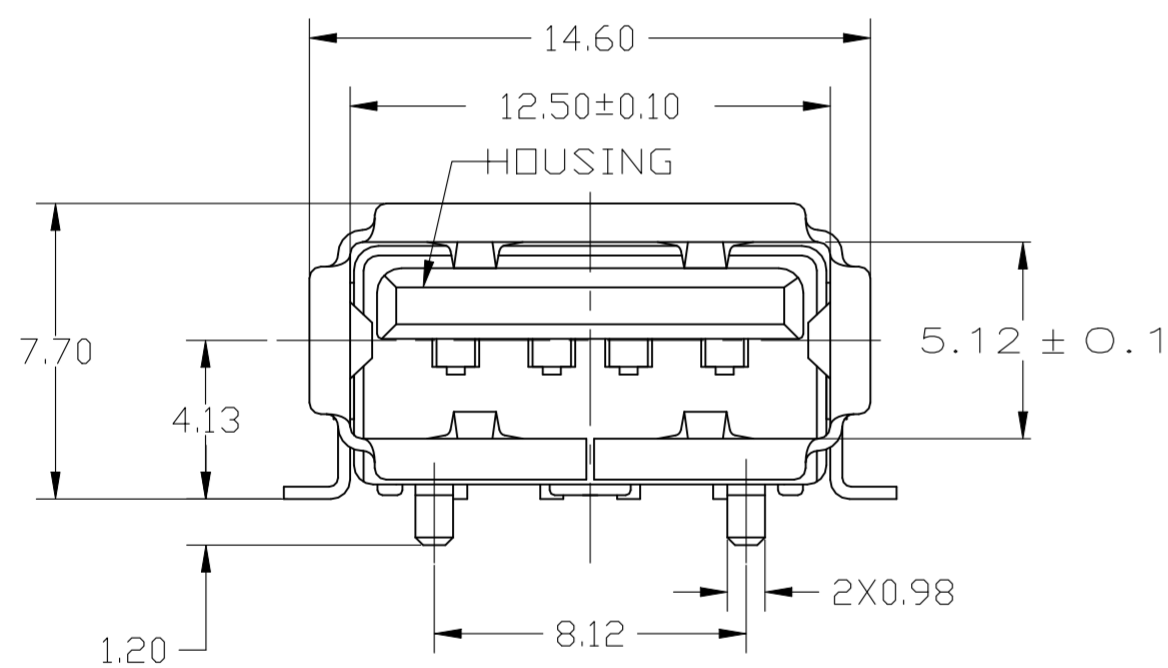
292303

REVISIONS					
P	LTR	DESCRIPTION	DATE	DWN	APVD
-	-	SEE SHEET 1	-	-	-



RECOMMENDED MOUNTING PANEL CUTOUT

- ⚠ MATERIAL:  
SHELL:- STAINLESS STEEL & CONTACTS- COPPER ALLOY.  
HOUSING: UL 94V-0 RATED, THERMOPLASTIC, COLOR SEE TABLE.
- ⚠ PLATING:  
CONTACTS: 0.076 μm MINIMUM GOLD OVER 0.76 μm MINIMUM PALLADIUM-NICKEL ON MATING AREA.  
3.8 μm MINIMUM MATTE TIN ON SOLDER TAILS.  
BOTH OVER 1.27 μm MINIMUM NICKEL.  
CONTACT ALTERNATE PLATING: 0.76 μm MIN GOLD ON MATING AREA, 3.80 μm MIN MATTE TIN ON SOLDER TAILS, BOTH OVER 1.27 μm MIN NICKEL.  
SHELL: 2~5 μm MINIMUM BRIGHT TIN
- ⚠ PANEL IS NEEDED FOR CUSTOMER.



RECOMMENDED PC BOARD MOUNTING LAYOUT (TOLERANCE=±0.05)

YES	BLACK	1-292303-6
YES	NATURAL	292303-9
HIGH TEMPERATURE COMPATIBLE	HOUSING COLOR	PART NUMBER

THIS DRAWING IS A CONTROLLED DOCUMENT.		DWN J.JIANG 19FEB04	<b>STE</b> TE Connectivity Ltd.	
DIMENSIONS: mm		CHK S.YAO 19FEB04		
TOLERANCES UNLESS OTHERWISE SPECIFIED:		APVD T.SASAKI 19FEB04	NAME	
0 PLC ± -		PRODUCT SPEC	RECEPTACLE ASSEMBLY RIGHT	
1 PLC ± -		108-60034	ANGLE, 4 POSITION, T/H & SMT	
2 PLC ± 0.25		APPLICATION SPEC	USB, LEAD FREE VERSION	
3 PLC ± -		WEIGHT	SIZE	CAGE CODE
4 PLC ± -		-	A2	00779
ANGLES ± -		CUSTOMER DRAWING	DRAWING NO	RESTRICTED TO
FINISH		SCALE	5:1	SHEET
MATERIAL		SCALE	5:1	4 of 5
FINISH		SCALE	5:1	REV
MATERIAL		SCALE	5:1	G

4

3

2

1

© - TE Connectivity. All Rights Reserved.

REVISIONS

P	LTR	DESCRIPTION	DATE	DWN	APVD
-	-	SEE SHEET 1	-	-	-

① MATERIAL:  
SHELL: STAINLESS STEEL & CONTACTS- COPPER ALLOY.  
HOUSING: UL 94V-0 RATED, THERMOPLASTIC, COLOR SEE TABLE.

② PLATING:  
CONTACTS: 0.076 $\mu$ m MINIMUM GOLD OVER 0.76 $\mu$ m MINIMUM PALLADIUM-NICKEL ON MATING AREA.  
3.8 $\mu$ m MINIMUM MATTE TIN ON SOLDER TAILS.  
BOTH OVER 1.27 $\mu$ m MINIMUM NICKEL.  
CONTACT ALTERNATE PLATING: 0.76 $\mu$ m MIN GOLD ON MATING AREA, 3.80 $\mu$ m MIN MATTE TIN ON SOLDER TAILS, BOTH OVER 1.27 $\mu$ m MIN NICKEL.  
SHELL: MINIMUM BRIGHT TIN OVER MIN NICKEL.

③ DATUM AND BASIC DIMENSIONS ESTABLISHED BY CUSTOMER.

④ RECOMMENDED PC BOARD THICKNESS OF 1.57 mm.

PC BOARD MOUNTING DIMENSIONS ④

OBSOLETE

YES	BLACK	2-292303-1
HIGH TEMPERATURE COMPATIBLE	HOUSING COLOR	PART NUMBER
TE Connectivity Ltd.		
RECEPTACLE ASSEMBLY RIGHT ANGLE, 4 POSITION, T/H & SMT USB, LEAD FREE VERSION		
SIZE	CAGE CODE	DRAWING NO
A2	00779	C=292303
SCALE	SHEET	REV
5:1	5 of 5	G

THIS DRAWING IS A CONTROLLED DOCUMENT.	
DIMENSIONS:	TOLERANCES UNLESS OTHERWISE SPECIFIED:
mm	
	0 PLC ± -
	1 PLC ± -
	2 PLC ± 0.25
	3 PLC ± -
	4 PLC ± -
	ANGLES ± -
MATERIAL	FINISH
①	②

DWN	19FEB04
J.JIANG	
CHK	19FEB04
S.YAO	
APVD	19FEB04
T.SASAKI	
PRODUCT SPEC	
108-60034	
APPLICATION SPEC	
-	
WEIGHT	-
CUSTOMER DRAWING	

NAME	RESTRICTED TO
	-
SCALE	SHEET
5:1	5 of 5
REV	G

1471-9 (1/15)

Downloaded From [Onevac.com](http://Onevac.com)

292303

B

A

单击下面可查看定价，库存，交付和生命周期等信息

[>>TE Connectivity\(泰科\)](#)