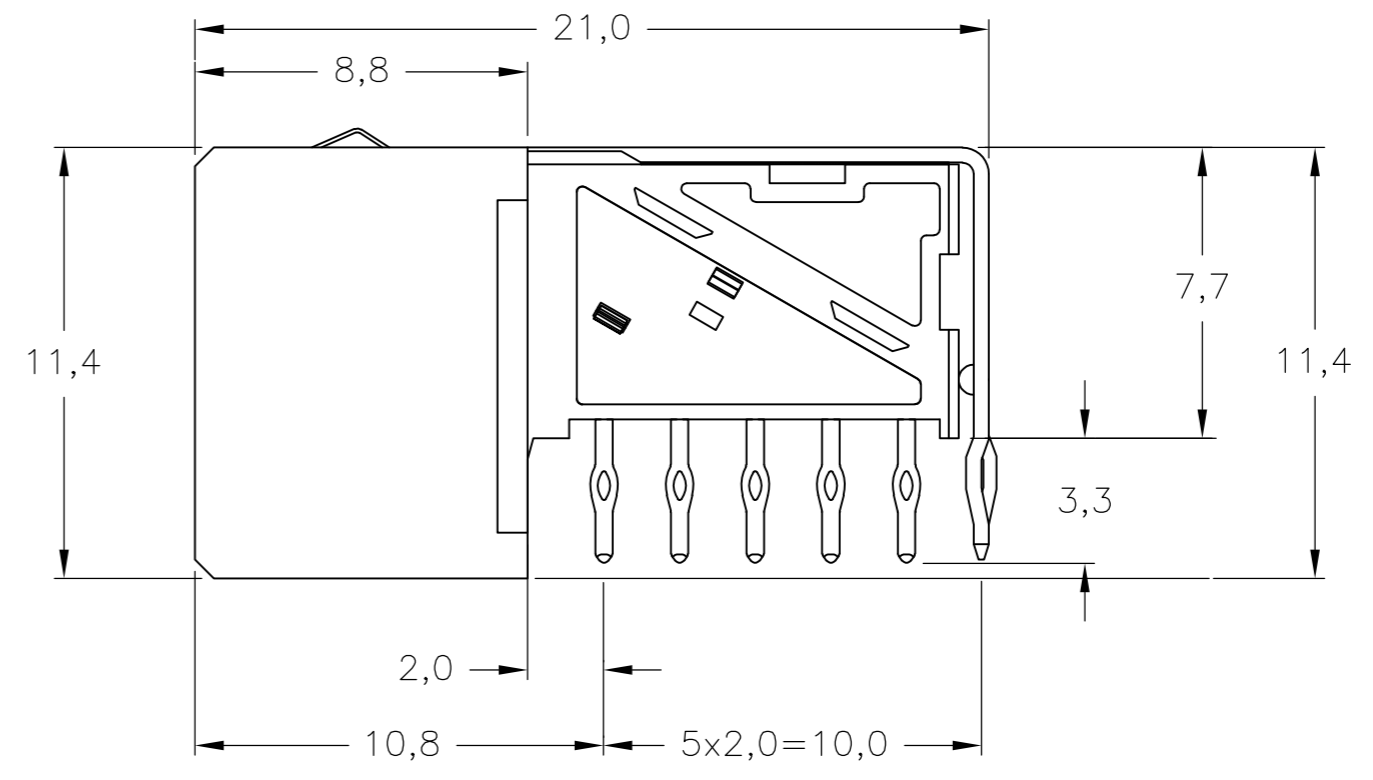
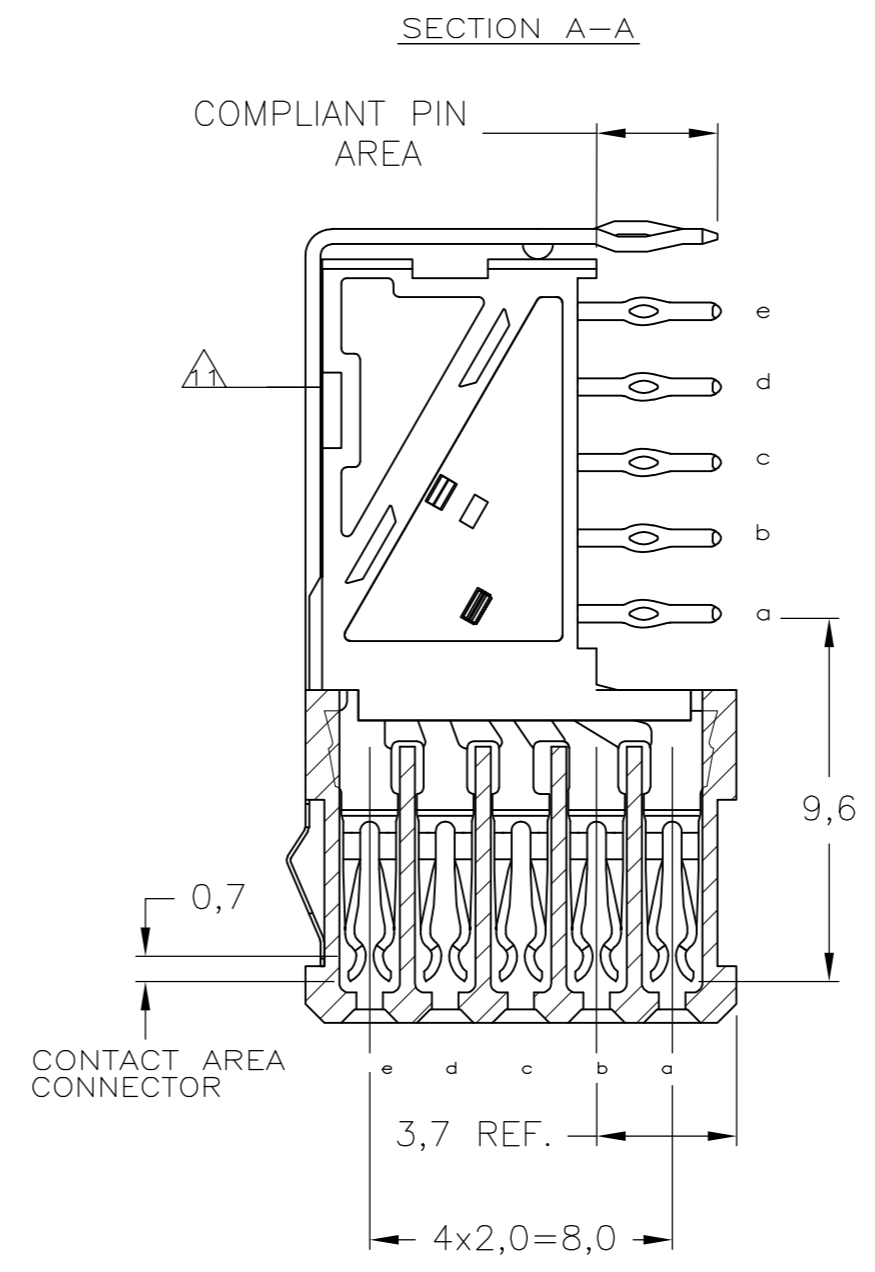
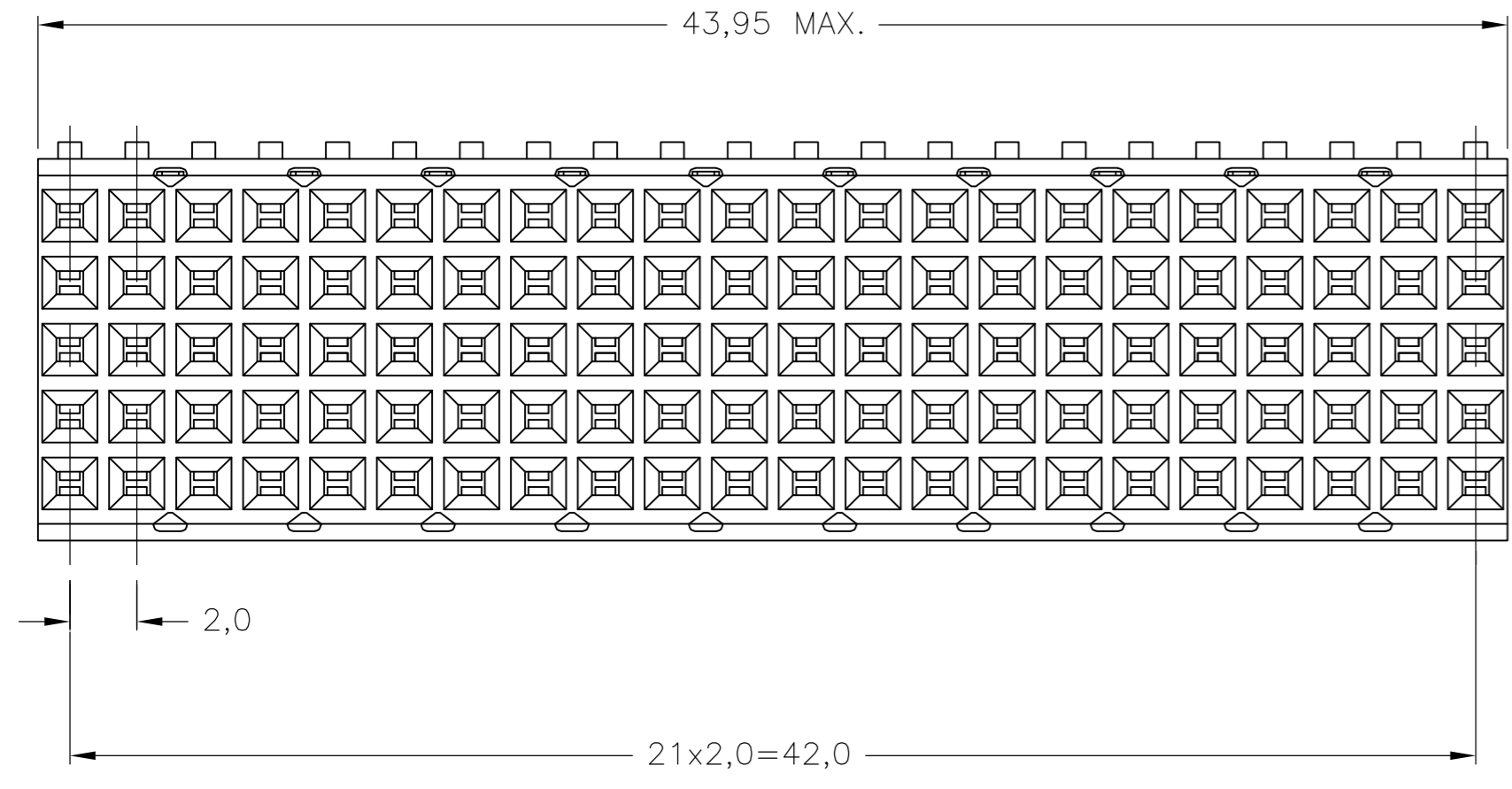
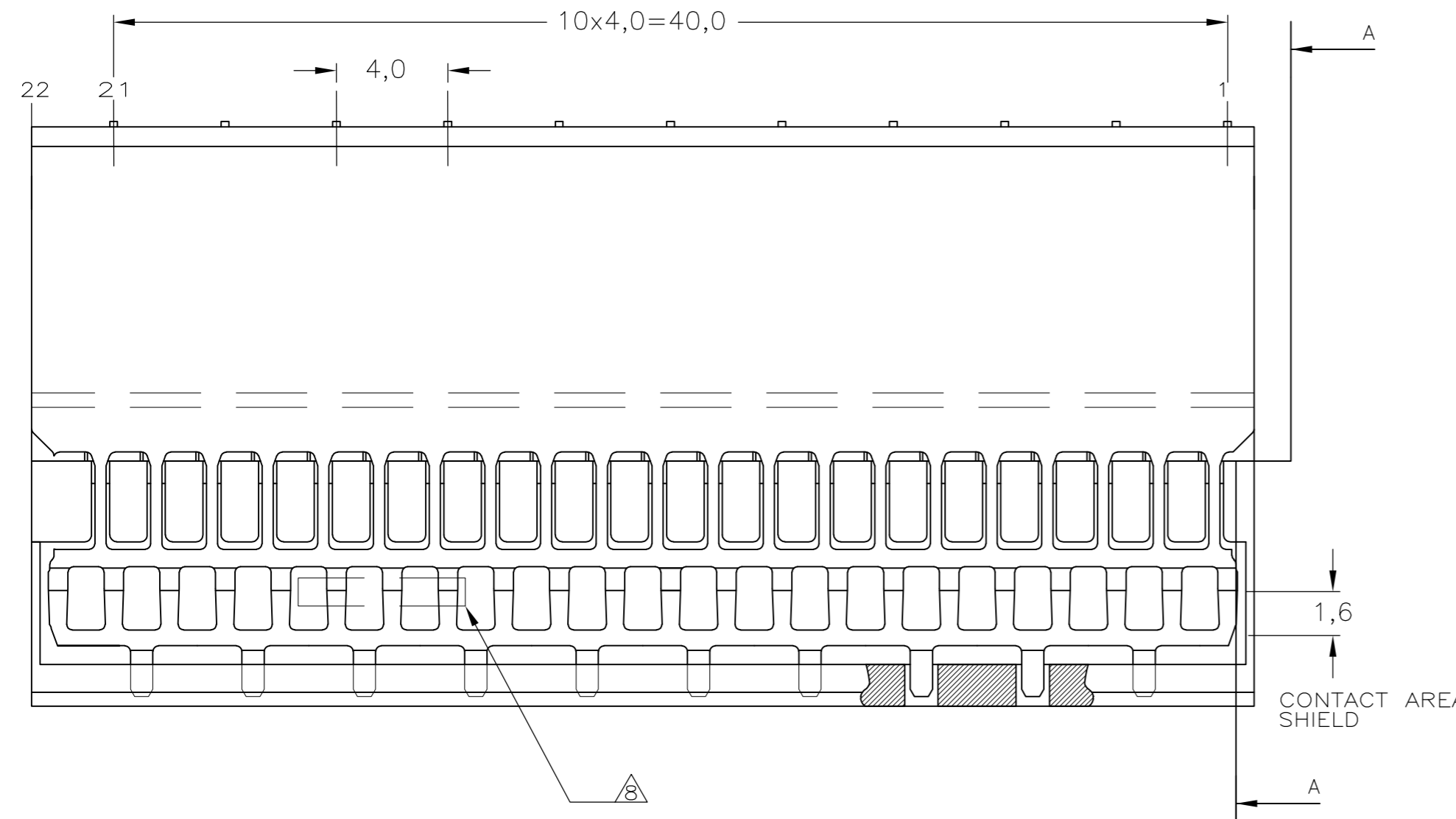


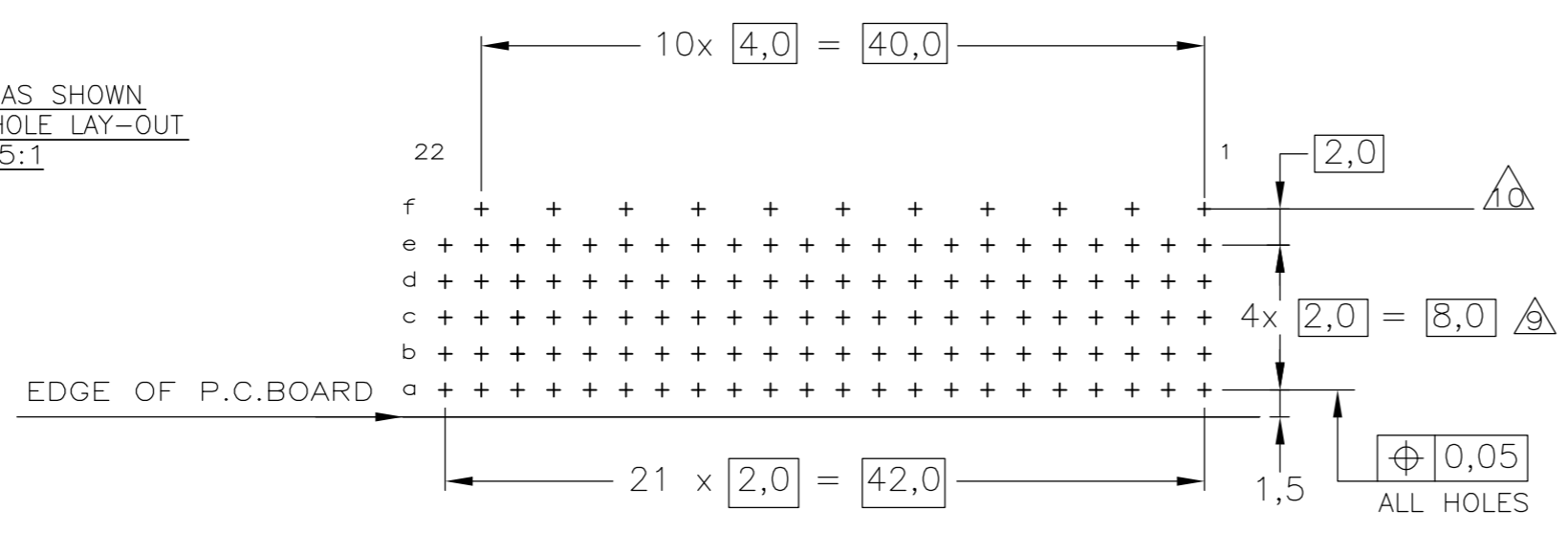
THIS DRAWING IS UNPUBLISHED. RELEASED FOR PUBLICATION  
 © COPYRIGHT - By - ALL RIGHTS RESERVED.

LOC		DIST		REVISIONS			
P	LTR	DESCRIPTION	DATE	DWN	APVD		
B		REVISED PER ECO-14-009607	27JUN2014	SY	FY		



- NOTES:
- △ MATERIAL CONTACTS; PHOSPHORBRONZE
  - △ MATERIAL HOUSING; GLASSFILLED POLYESTER (GRAY)
  - △ GENERAL PLATING SPECIFICATION: UNDERPLATING (ENTIRE CONTACT): 1,27μm NICKEL MIN. AND COMPLIANT PIN SECTION: 0,5μm TIN-LEAD MIN. FOR PLATING OF MATING SURFACES SEE APPLICABLE SPECIFICATION REFERENCE FOR EACH DASH NUMBER.
  - △ CONFORMS TO ALL TESTING ACCORDING IEC 61076-4-101 PERFORMANCE LEVEL 2.
  - △ CONFORMS TO ALL TESTING ACCORDING IEC 61076-4-101 PERFORMANCE LEVEL 1.
  - △ CONNECTOR TESTED AND QUALIFIED AGAINST TELCORDIA GR-1217-CORE QUALITY LEVEL III, CENTRAL OFFICE APPLICATIONS.
  - △ CONNECTOR LUBRICATED WITH TELCORDIA GR-1217-CORE APPROVED LUBRICANT.
  - △ ASSEMBLY PRINTED WITH P/N AND DATECODE
  - △ THE MARKING CAN APPEAR ON THE FRONT SIDE OR BACK SIDE.
  - △ HOLE PATTERN FOR FEMALE CONNECTOR TYPE B-22 COLUMNS 110 PLATED-THROUGH HOLES AT 2x2mm SQUARE GRID
  - △ ROW "f" 11 PLATED THROUGH HOLES FOR UPERSHIELD SHIELD MOUNTED ON CONNECTOR WITH DOUBLE SIDED ADHESIVE TAPE OR ADHESIVE.
  - 12 BASIC P.N. LOWERSHIELD : 352468 OR 5352468.

COMPONENT SIDE AS SHOWN  
 RECOMMENDED PCB-HOLE LAY-OUT  
 SCALE 2,5:1



P.C.B. HOLE DIM. COMPLIANT PIN  
 FOR DETAILS SEE  
 APPLICATION SPECIFICATION

THIS DRAWING IS A CONTROLLED DOCUMENT.		DWN SANDERS YAN 25NOV2013	FINISH	MATERIAL	2170863-1
DIMENSIONS: mm		CHK -	PARTNUMBER		
TOLERANCES UNLESS OTHERWISE SPECIFIED:		APVD FRANK YANG 25NOV2013	TE Connectivity		
6-PLG ±		NAME	Z-PACK 2mm HM		
1-PLG ±		PRODUCT SPEC	TYPE B - 22 COLUMNS		
2-PLG ± ±0.2		APPLICATION SPEC	PRE-SHIELDED RECEPTACLE		
3-PLG ±		108-19082	SIZE A2	CAGE CODE 00779	DRAWING NO C=2170863
4-PLG ±		114-19029	RESTRICTED TO	-	
ANGLES ±		WEIGHT -	SCALE 5:1 SHEET 1 of 1 REV B		
FINISH		CUSTOMER DRAWING			

单击下面可查看定价，库存，交付和生命周期等信息

[>>TE Connectivity\(泰科\)](#)