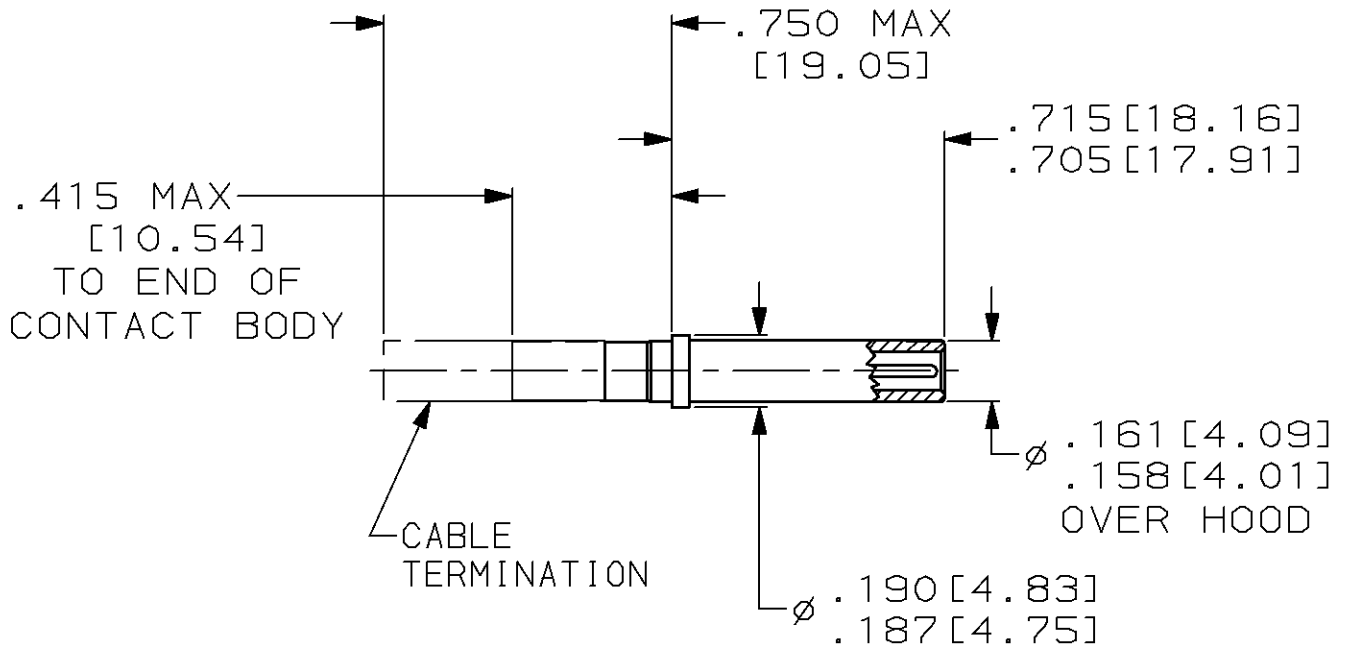


| | | | | | | | |
|-----|------|-----------|-----|---------------------|---------|-----|------|
| LOC | DIST | REVISIONS | | | | | |
| DF | AO | P | LTR | DESCRIPTION | DATE | DWN | APVD |
| | | | 0 | DRAWN PER DR 8-067F | 26JUN98 | TT | SG |



- CONTACT PER MIL-C-39029/73.
- FOR USE IN MIL-C-83723 SERIES III, MIL-C-26482 SERIES 2, MIL-C-83733 AND DOD-C-83527 CONNECTORS.
- MATES WITH AMP PART NUMBER 213156-1 (MIL-C-39029/74).

| |
|-------------|
| 213157-1 |
| PART NUMBER |

| | | | | | | | |
|--|------------------|---------------|----------|---|-----------|--------------|-------|
| DIMENSIONS: [InCmm] | DWN | 26JUN98 | MATERIAL | - | FINISH | - | |
| | CHK | T. THOMPSON | 26JUN98 | AMP Incorporated Harrisburg, PA 17105-3608 | | | |
| TOLERANCES UNLESS OTHERWISE SPECIFIED: | APVD | S. GLATFELTER | 26JUN98 | | | | |
| 0 PLC ±- | PRODUCT SPEC | S. GLATFELTER | 26JUN98 | NAME | | | |
| 1 PLC ±- | APPLICATION SPEC | - | - | SOCKET CONTACT, SOLDER, SIZE 12, SHIELDED | | | |
| 2 PLC ±- | WEIGHT | - | - | SIZE | CAGE CODE | DRAWING NO | |
| 3 PLC ±.005 [0.13] | | | | A4 | 00779 | C- 213157 | |
| 4 PLC ±- | | | | RESTRICTED TO | | | |
| ANGLES ±- | | | | - | | | |
| CUSTOMER DRAWING | | | | SCALE | 2:1 | SHEET 1 OF 1 | REV 0 |

RELEASED FOR PUBLICATION

ALL RIGHTS RESERVED. BY AMP INCORPORATED. COPYRIGHT 19

单击下面可查看定价，库存，交付和生命周期等信息

[>>TE Connectivity\(泰科\)](#)