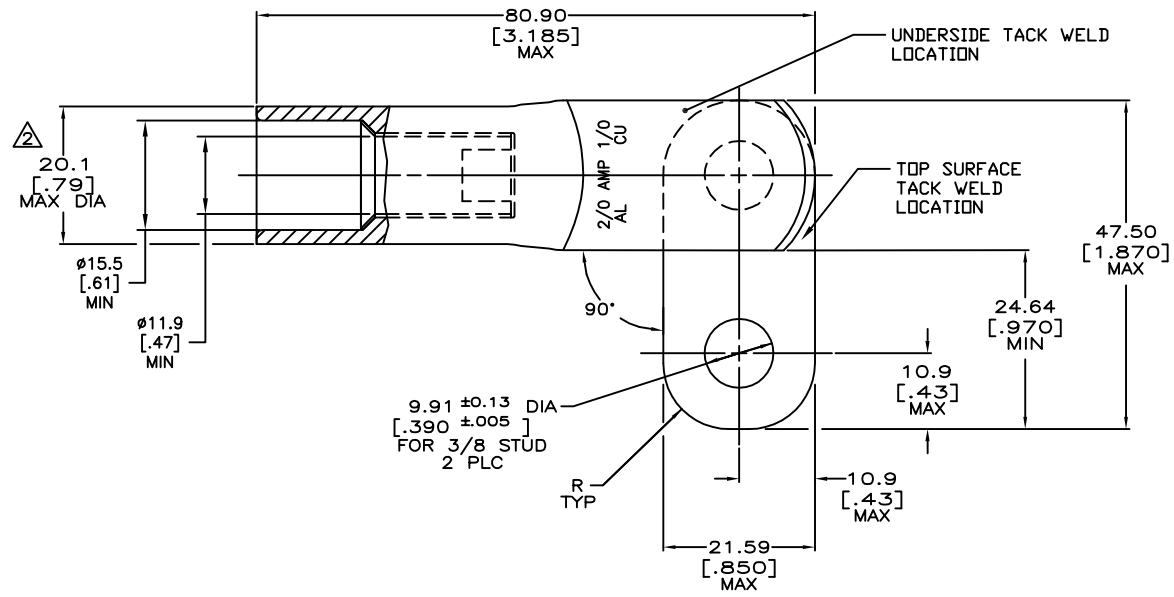
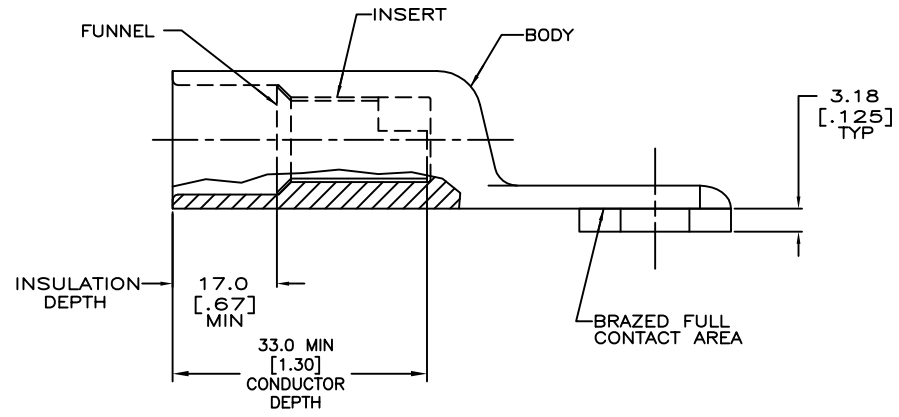


THIS DRAWING IS UNPUBLISHED. RELEASED FOR PUBLICATION
 © COPYRIGHT - TE Connectivity ALL RIGHTS RESERVED.

REVISIONS					
P	LTR	DESCRIPTION	DATE	CHK	APP'D
D		REV PER ECO 18-000354	1-29-18	CT	PD



- 1 WIRE INSULATION: 12.70[.500] - 13.97[.550] DIA
- △ +0.51[+.020] FLASH PERMITTED
- 3. TACK WELD MARKS AT LOCATIONS SHOWN.



BODY: COPPER PER ASTM-B187 ANNEALED NICKEL PLATE 0.00381 [.000150] MIN THK PER ASTM B-545	55982-1
INSERT & FUNNEL: BRASS PER MIL-C-50 NICKEL PLATE PER QQ-N-290A, 0.00762 [.000300] AVG THK	
MATERIAL AND FINISH	TE PART NO.

THIS DRAWING IS A CONTROLLED DOCUMENT.		DRN DK SCHRUM 1/25/04		
DIMENSIONS: INCHES		CHK WJ VOCKROTH 1/26/04		
TOLERANCES UNLESS OTHERWISE SPECIFIED:		APP'D R ROSER 1-28-04	NAME	
0 PLC ± -		PRODUCT SPEC 108-11011		
1 PLC ± -		APPLICATION SPEC 114-2134		
2 PLC ± 0.13 [.005]		SIZE A2		
3 PLC ± -		CAGE CODE 00779		
4 PLC ± -		DRAWING NO 55982		
ANGLES ± -		RESTRICTED TO -		
MATERIAL SEE TABLE	FINISH SEE TABLE	WEIGHT 0.000000	SCALE 2:1	SHEET 1 of 1
CUSTOMER DRAWING		REV D		

CUSTOMER DRAWING

单击下面可查看定价，库存，交付和生命周期等信息

[>>TE Connectivity\(泰科\)](#)