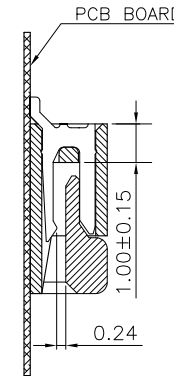
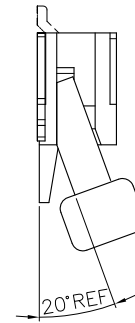
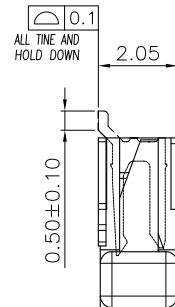
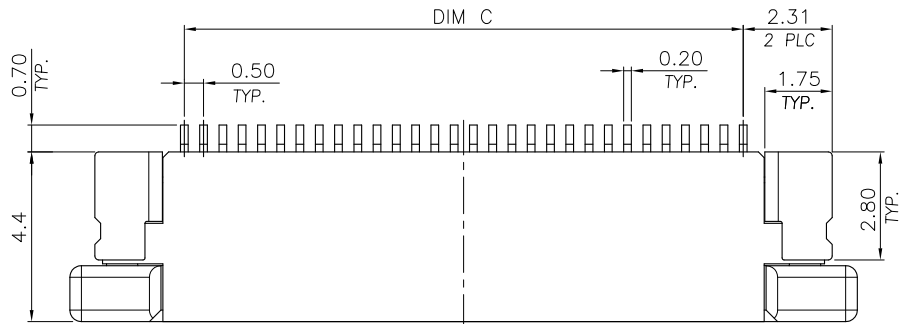
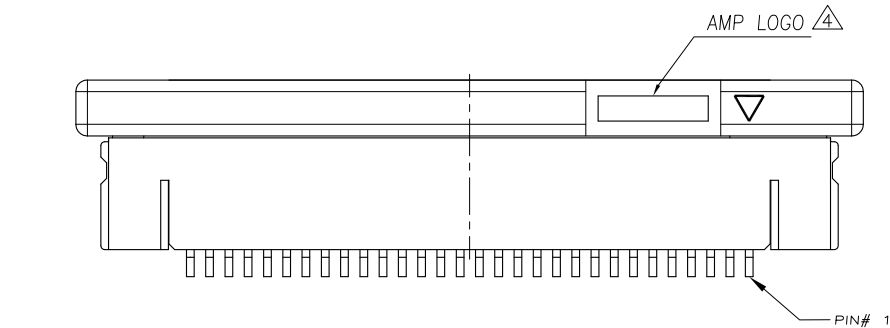
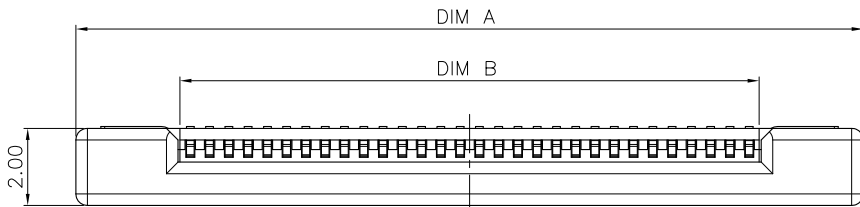


THIS DRAWING IS UNPUBLISHED. RELEASED FOR PUBLICATION
 © COPYRIGHT BY TYCO ELECTRONICS CORPORATION. ALL RIGHTS RESERVED.

LOC	DIST	REVISIONS				
P	LTR	DESCRIPTION	DATE	DWN	APVD	
DW	-	C	REVISED (ECR-13-003844)	04JUN13	JL	WK



24.50	25.60	30.43	50	5-1775628-0
24.00	25.10	29.93	49	4-1775628-9
23.50	24.60	29.43	48	4-1775628-8
23.00	24.10	28.93	47	4-1775628-7
22.50	23.60	28.43	46	4-1775628-6
22.00	23.10	27.93	45	4-1775628-5
21.50	22.60	27.43	44	4-1775628-4
21.00	22.10	26.93	43	4-1775628-3
20.50	21.60	26.43	42	4-1775628-2
20.00	21.10	25.93	41	4-1775628-1
19.50	20.60	25.43	40	4-1775628-0
19.00	20.10	24.93	39	3-1775628-9
18.50	19.60	24.43	38	3-1775628-8
18.00	19.10	23.93	37	3-1775628-7
17.50	18.60	23.43	36	3-1775628-6
17.00	18.10	22.93	35	3-1775628-5
16.50	17.60	22.43	34	3-1775628-4
16.00	17.10	21.93	33	3-1775628-3
15.50	16.60	21.43	32	3-1775628-2
15.00	16.10	20.93	31	3-1775628-1
14.50	15.60	20.43	30	3-1775628-0
14.00	15.10	19.93	29	2-1775628-9
13.50	14.60	19.43	28	2-1775628-8
13.00	14.10	18.93	27	2-1775628-7
12.50	13.60	18.43	26	2-1775628-6
12.00	13.10	17.93	25	2-1775628-5
11.50	12.60	17.43	24	2-1775628-4
11.00	12.10	16.93	23	2-1775628-3
10.50	11.60	16.43	22	2-1775628-2
10.00	11.10	15.93	21	2-1775628-1
9.50	10.60	15.43	20	2-1775628-0
9.00	10.10	14.93	19	1-1775628-9
8.50	9.60	14.43	18	1-1775628-8
8.00	9.10	13.93	17	1-1775628-7
7.50	8.60	13.43	16	1-1775628-6
7.00	8.10	12.93	15	1-1775628-5
6.50	7.60	12.43	14	1-1775628-4
6.00	7.10	11.93	13	1-1775628-3
5.50	6.60	11.43	12	1-1775628-2
5.00	6.10	10.93	11	1-1775628-1
4.50	5.60	10.43	10	1-1775628-0
4.00	5.10	9.93	09	0-1775628-9
3.50	4.60	9.43	08	0-1775628-8
3.00	4.10	8.93	07	0-1775628-7
2.50	3.60	8.43	06	0-1775628-6
2.00	3.10	7.93	05	0-1775628-5
C	B	A	POS.	PART NUMBER
DIMENSIONS				



NOTES:

1. MATERIAL:

- 1.1 HOUSING: THERMOPLASTIC (LCP), UL94V-0; COLOR: BLACK.
- 1.2 ACTUATOR: THERMOPLASTIC (PA 6T), UL94V-0; COLOR: IVORY.
- 1.3 CONTACTS: PHOSPHOR BRONZE.
- 1.4 HOLD DOWN: PHOSPHOR BRONZE.

2. FINISH:

- 2.1 CONTACT: GOLD FLASH PLATING OVER ALL, 1.27um (50u") MIN. NICKEL UNDERPLATING OVERALL.
- 2.2 HOLD DOWN: 2.54um (100u") MIN. BRIGHT TIN PLATING OVER, 1.27um (50u") MIN NICKEL UNDERPLATING OVERALL.

3. REFLOW SOLDER CAPABLE TO 260°C PER TE TEST SPEC. 109-201, CONDITION B.

△ WITHOUT AMP LOGO FOR 12 POSITION UNDER.

THIS DRAWING IS A CONTROLLED DOCUMENT.		DWN J. LAI 15APR2009	TE Connectivity		
DIMENSIONS: MM		CHK S. CHIEN 15APR2009			
TOLERANCES UNLESS OTHERWISE SPECIFIED:		APVD W. KODAMA 15APR2009	NAME		
		PRODUCT SPEC 108-57523	FPC CONNECTOR, 0.5mm PITCH BOTTOM CONTACT, SMT TYPE		
MATERIAL SEE NOTE		QUALIFICATION TEST REPORT 501-57598	SIZE A3	CAGE CODE 00779	DRAWING NO C=1775628
FINISH SEE NOTE		WEIGHT -	RESTRICTED TO -		
CUSTOMER DRAWING			SCALE -	SHEET 1 OF 3	REV C

THIS DRAWING IS UNPUBLISHED.

RELEASED FOR PUBLICATION

© COPYRIGHT BY TYCO ELECTRONICS CORPORATION.

ALL RIGHTS RESERVED.

LOC DW

DIST

REVISIONS

P LTR

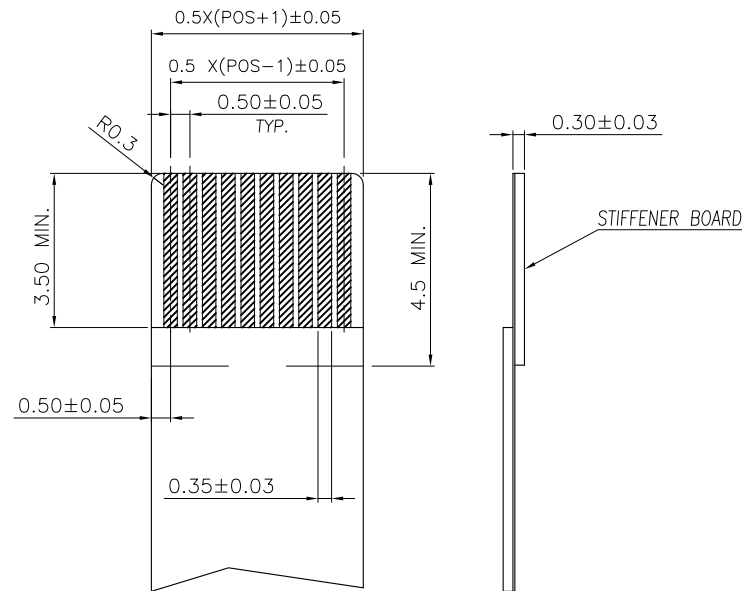
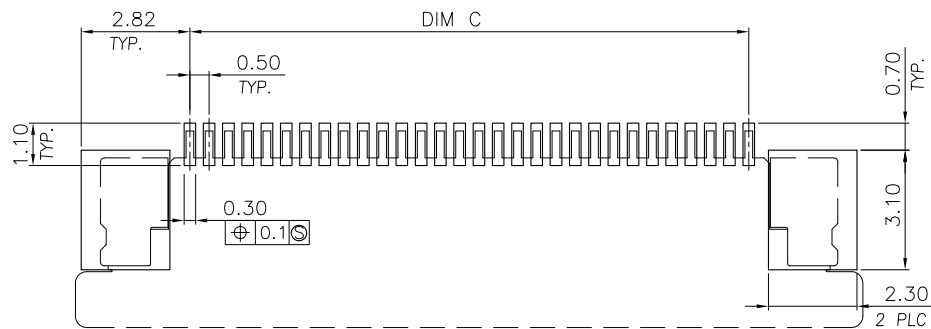
DESCRIPTION

DATE

DWN

APVD

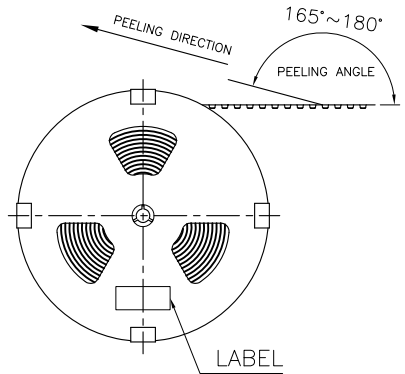
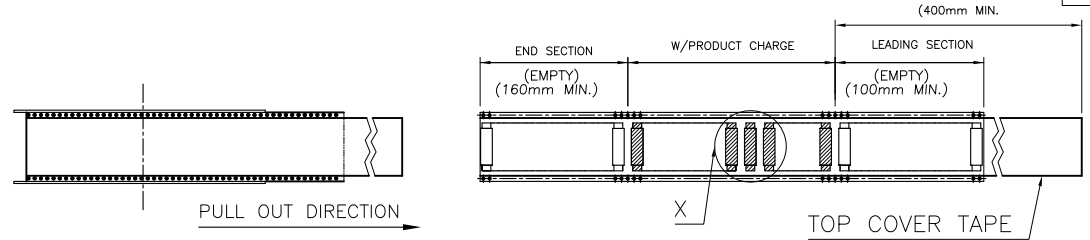
SEE SHEET 1



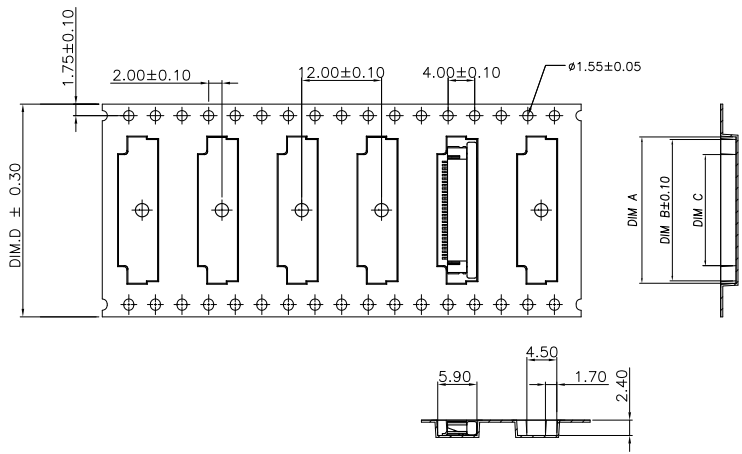
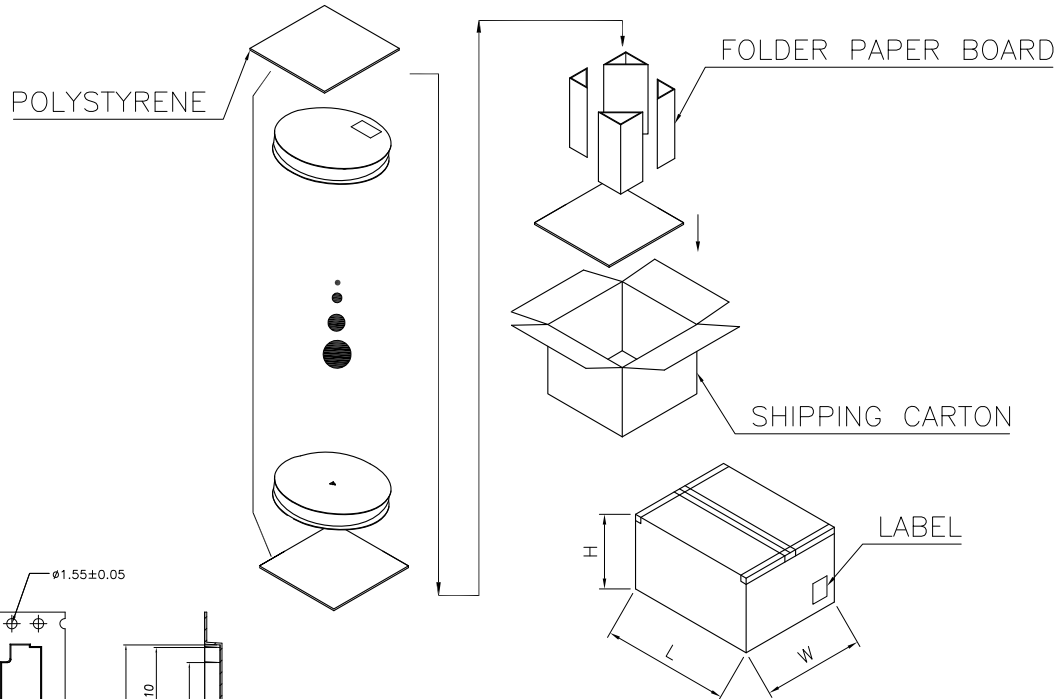
THIS DRAWING IS A CONTROLLED DOCUMENT.		DWN		TE Connectivity	
DIMENSIONS: MM		CHK			
TOLERANCES UNLESS OTHERWISE SPECIFIED:		APVD		NAME	
0 PLC ± -		PRODUCT SPEC		FPC CONNECTOR, 0.5mm PITCH	
1 PLC ± -		QUALIFICATION TEST REPORT		BOTTOM CONTACT, SMT TYPE	
2 PLC ± -		WEIGHT		SIZE A3	
3 PLC ± -		CUSTOMER DRAWING		CAGE CODE 00779	
4 PLC ± -		SCALE -		DRAWING NO C=1775628	
ANGLES ± -		SHEET 2 OF 3		RESTRICTED TO -	
MATERIAL SEE NOTE		FINISH SEE NOTE		REV C	

THIS DRAWING IS UNPUBLISHED. RELEASED FOR PUBLICATION
 © COPYRIGHT BY TYCO ELECTRONICS CORPORATION. ALL RIGHTS RESERVED.

LOC	DW	DIST	REVISIONS		
			P	LTR	DATE
			DESCRIPTION		
					APVD
			SEE SHEET 1.		



PULL OUT DIRECTION



PPQ (PCS/REEL)	APQ (PCS/CARTON)	12000	44.00	26.70	30.55	31.50	50	
			44.00	26.20	30.05	31.00	49	
2000	16000	44.00	25.70	29.55	30.50	48		
		44.00	25.20	29.05	30.00	47		
		44.00	24.70	28.55	29.50	46		
		44.00	24.20	28.05	29.00	45		
		44.00	23.70	27.55	28.50	44		
		44.00	23.20	27.05	28.00	43		
		44.00	22.70	26.55	27.50	42		
		44.00	22.20	26.05	27.00	41		
		44.00	21.70	25.55	26.50	40		
		44.00	21.20	25.05	26.00	39		
		44.00	20.70	24.55	25.50	38		
		44.00	20.20	24.05	25.00	37		
		44.00	19.70	23.55	24.50	36		
		44.00	19.20	23.05	24.00	35		
		44.00	18.70	22.55	23.50	34		
		44.00	18.20	22.05	23.00	33		
		44.00	17.70	21.55	22.50	32		
		44.00	17.20	21.05	22.00	31		
		20000	16000	32.00	16.70	20.55	21.50	30
				32.00	16.20	20.05	21.00	29
32.00	15.70			19.55	20.50	28		
32.00	15.20			19.05	20.00	27		
32.00	14.70			18.55	19.50	26		
32.00	14.20			18.05	19.00	25		
32.00	13.70			17.55	18.50	24		
32.00	13.20			17.05	18.00	23		
32.00	12.70			16.55	17.50	22		
32.00	12.20			16.05	17.00	21		
24.00	11.70			15.55	16.50	20		
24.00	11.20			15.05	16.00	19		
24.00	10.70	14.55	15.50	18				
24.00	10.20	14.05	15.00	17				
24.00	9.70	13.55	14.50	16				
24.00	9.20	13.05	14.00	15				
24.00	8.70	12.55	13.50	14				
24.00	8.20	12.05	13.00	13				
24.00	7.70	11.55	12.50	12				
24.00	7.20	11.05	12.00	11				
24.00	6.70	10.55	11.50	10				
24.00	6.20	10.05	11.00	09				
24.00	5.70	9.55	10.50	08				
24.00	5.20	9.05	10.00	07				
24.00	4.70	8.55	9.50	06				
24.00	4.20	8.05	9.00	05				
			D	C	B	A	POS.	

THIS DRAWING IS A CONTROLLED DOCUMENT.

DIMENSIONS: MM	TOLERANCES UNLESS OTHERWISE SPECIFIED:	DWN	CHK	APVD	NAME
0 PLC ± -	1 PLC ± -	PRODUCT SPEC	APPLICATION SPEC	WEIGHT	CUSTOMER DRAWING
2 PLC ± -	3 PLC ± -	SIZE	CAGE CODE	DRAWING NO	RESTRICTED TO
4 PLC ± -	ANGLES ± -	A3	00779	G=1775628	SCALE
MATERIAL	FINISH	STE		TE Connectivity	
		FPC CONNECTOR, 0.5mm PITCH		BOTTOM CONTACT, SMT TYPE	
		3 of 3		REV C	

单击下面可查看定价，库存，交付和生命周期等信息

[>>TE Connectivity\(泰科\)](#)