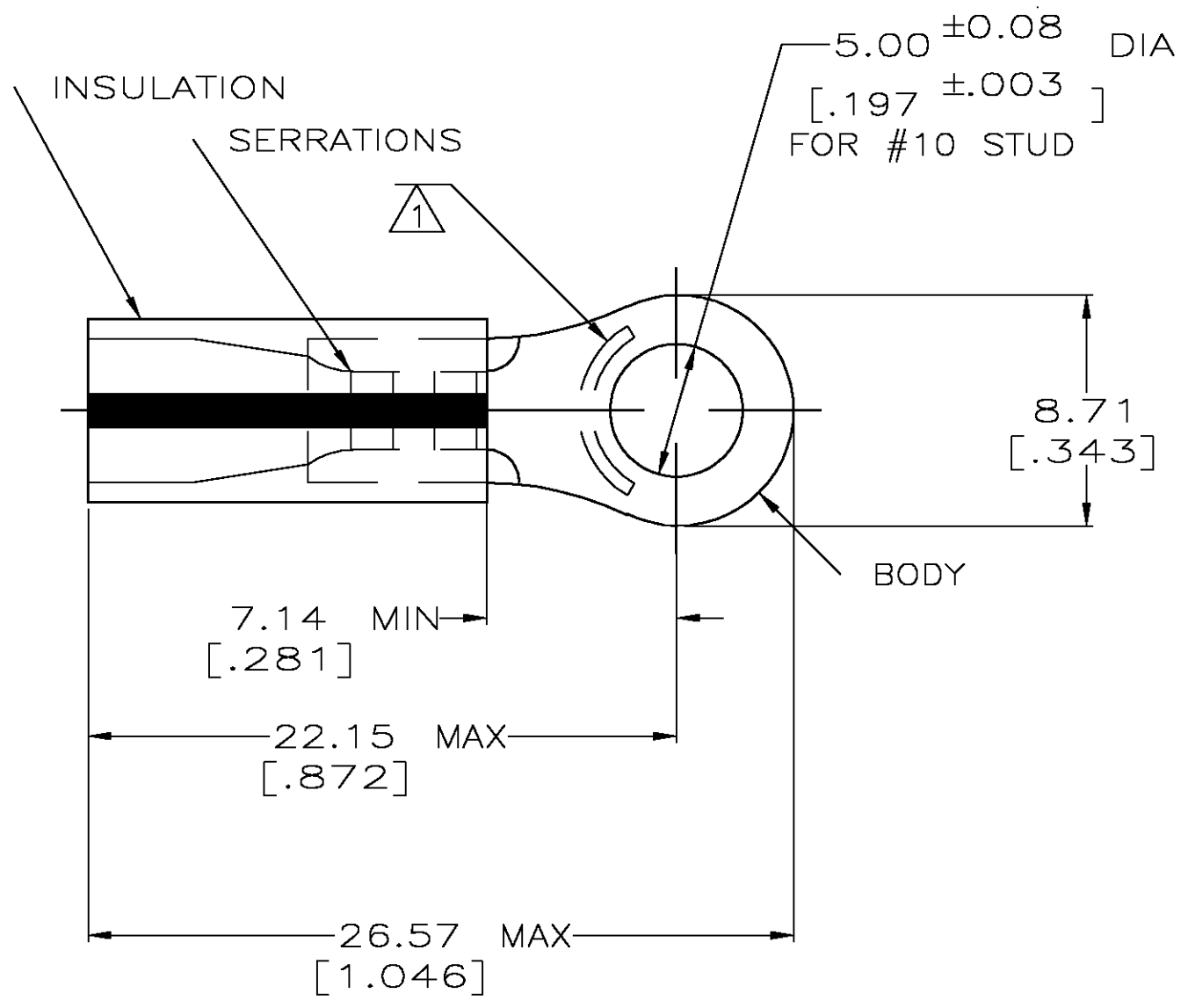


THIS DRAWING IS UNPUBLISHED. RELEASED FOR PUBLICATION  
 © COPYRIGHT BY TYCO ELECTRONICS CORPORATION. ALL RIGHTS RESERVED.

| LOC | DIST | REVISIONS |     |                      |         |     |      |
|-----|------|-----------|-----|----------------------|---------|-----|------|
|     |      | P         | LTR | DESCRIPTION          | DATE    | DWN | APVD |
| G   | 14   |           | G   | REV PER 0G3A-0656-04 | 20AUG04 | JR  | TM   |

|                                  |                                  |                                  |
|----------------------------------|----------------------------------|----------------------------------|
| <b>AMP</b><br>WIRE RANGE         | Listed<br>FILE E13288            | LR7189<br>Certified              |
| 16-14HD AWG<br>SOLID OR STRANDED | 16-14HD AWG<br>SOLID OR STRANDED | 16-14HD AWG<br>SOLID OR STRANDED |



- △ 1 STAMP AMP 16-14HD\* APPROX AS SHOWN
- 2 WIRE INSULATION DIA: .105-.200
- 3 TONGUE MATERIAL THK: 1.22<sup>±0.05</sup> [.048<sup>±0.002</sup>]
- △ 4 MATERIAL: BODY - CU PER ASTM B152  
SLEEVE - PVC,  
COLOR - YELLOW W/BLK STRIPE

|      |               |           |
|------|---------------|-----------|
| 50   | LOOSE PC,BOX  | 8-34823-2 |
| 5000 | ON TAPE, REEL | 2-34823-1 |
| -    | LOOSE PIECE   | 34823     |
| QTY  | PACKAGE TYPE  | PART NO.  |

**AMP INCORPORATED  
CUSTOMER SERVICE SYSTEMS**

FOR ADDITIONAL PRODUCT INFORMATION OR COPIES OF DRAWINGS AND TECHNICAL DOCUMENTS  
 PRODUCT INFORMATION CENTER  
 1-800-522-6752

FOR APPLICATION TOOLING INFORMATION  
 TOOLING ASSISTANCE CENTER  
 1-800-722-1111

FOR ORDER ENTRY  
 1-800-526-5142

MAX RECOMMENDED OPERATING TEMPERATURE:  
105°C [221°F]

VOLTAGE RATING:  
N/A

CIRCULAR MIL AREA:  
1.04-2.62mm<sup>2</sup> [2,050-5,180]  
SOLID OR STRANDED

THIS DRAWING IS A CONTROLLED DOCUMENT.

DIMENSIONS: MM[INCHES]

TOLERANCES UNLESS OTHERWISE SPECIFIED:

|        |              |
|--------|--------------|
| 0 PLC  | ± -          |
| 1 PLC  | ± -          |
| 2 PLC  | ± 0.20[.008] |
| 3 PLC  | ± -          |
| 4 PLC  | ± -          |
| ANGLES | ± -          |

MATERIAL: TIN PER ASTM B545

DWN DK SCHRUM 09/29/92  
 CHK RE HERSEY 11/10/92  
 APVD M BARNABA 11/10/92

PRODUCT SPEC: 108-1034

APPLICATION SPEC: NOT AVAILABLE

WEIGHT: -

**tyco Electronics** Tyco Electronics Corporation  
 Harrisburg, Pa 17105-3608

NAME: TERMINAL, RING TONGUE, PLASTI-GRIP

SIZE: A3 CAGE CODE: 00779 DRAWING NO: C-34823 RESTRICTED TO: -

CUSTOMER DRAWING SCALE: 4:1 SHEET: 1 OF 1 REV: G

单击下面可查看定价，库存，交付和生命周期等信息

[>>TE Connectivity\(泰科\)](#)