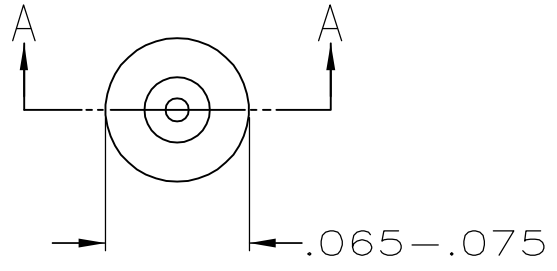
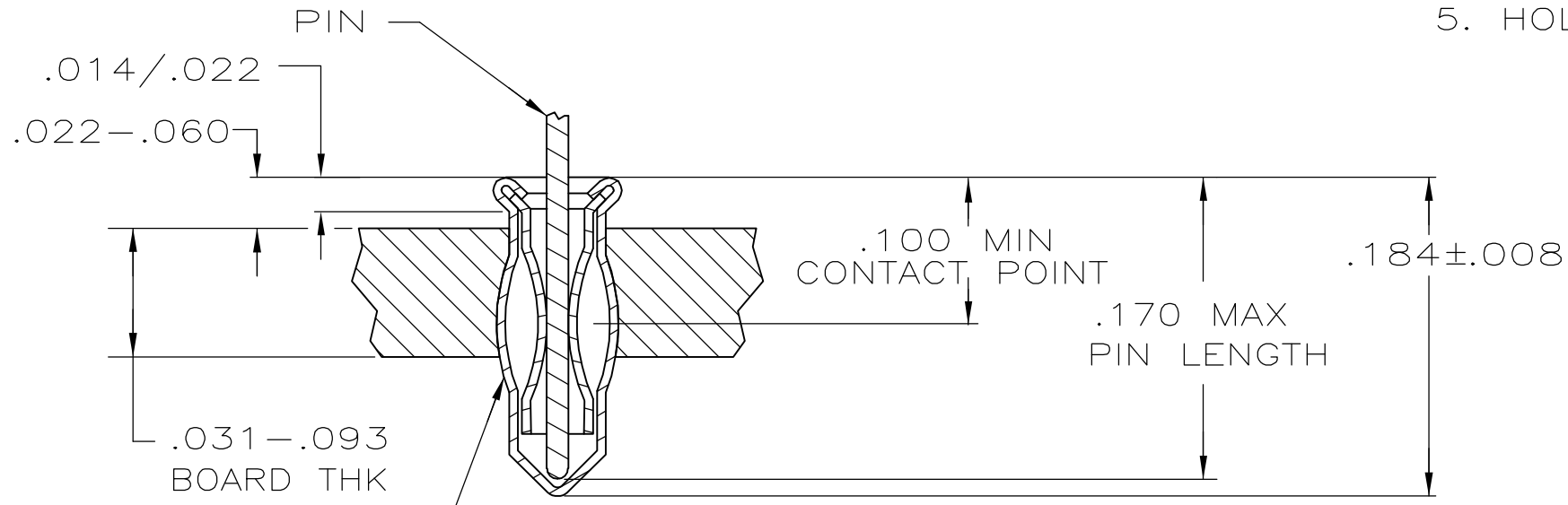


THIS DRAWING IS UNPUBLISHED. RELEASED FOR PUBLICATION  
 © COPYRIGHT - BY TYCO ELECTRONICS CORPORATION. ALL RIGHTS RESERVED.

LOC	DIST	REVISIONS					
AG	53	P	LTR	DESCRIPTION	DATE	DWN	APVD
			A	REVISED PER ECO-06-001742	31JAN06	JDP	JGH



- MATERIAL:  
 EYELET - COPPER PER ASTM B 152  
 SPRING - BERYLLIUM COPPER PER ASTM B 194
- TIN PLATE PER ASTM B 545 .000100 MIN THICK.
- GOLD PLATE PER ASTM B 488 .000030 MIN THICK OVER NICKEL PLATE PER QQ-N-290 ON CONTACT AREA.
- TO INSURE 1/2 OZ MIN RETENTION DO NOT EXCEED .004 DIFFERENCE IN PIN DIA WHEN CHANGING TO A SMALLER DIA PIN.
- HOLE SIZE FOR HAND INSERTION .053-.055.



INSERTION MACHINE CAPABLE OF OVALIZING SOCKET FOR RETENTION IN PC BOARD WITH .052±.003 DIA HOLE PRIOR TO SOLDERING OPERATION

SECTION A-A

.100/.170	.014/.026	GOLD	△2	5645952-2
LENGTH	DIA △4	TIN		5645952-1
PIN		SPRING	EYELET	PART NO
		FINISH		

THIS DRAWING IS A CONTROLLED DOCUMENT.		DWN L. VARELA - DOCK5 19APR2005	Tyco Electronics Corporation Harrisburg, PA 17105-3608	
DIMENSIONS: INCHES	TOLERANCES UNLESS OTHERWISE SPECIFIED:	CHK J. HAVENER 19APR2005	NAME MINIATURE SPRING SOCKET ASSEMBLY SERIES 2 LONG	
	0 PLC ± -	APVD J. HAVENER 19APR2005	PRODUCT SPEC 108-14008	
	1 PLC ± -		APPLICATION SPEC 114-13152	
MATERIAL	FINISH	WEIGHT	SIZE	CAGE CODE
NOTE 1	SEE TABLE	-	A3	00779
CUSTOMER DRAWING			DRAWING NO	RESTRICTED TO
			C=5645952	-
			SCALE	SHEET
			NTS	1 OF 1
			REV	A

单击下面可查看定价，库存，交付和生命周期等信息

[>>TE Connectivity\(泰科\)](#)