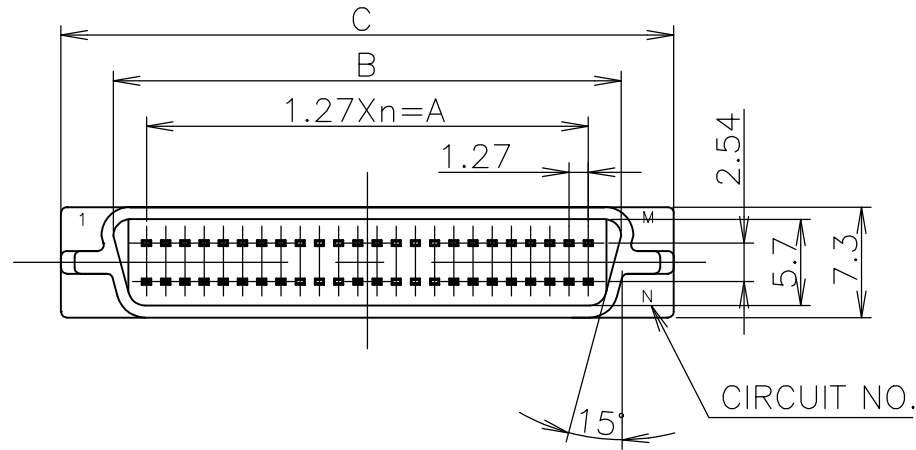


P	LTR	DESCRIPTION	DATE	DWN	APVD
S1		ECO-20-014032	16OCT2020	RR	SH

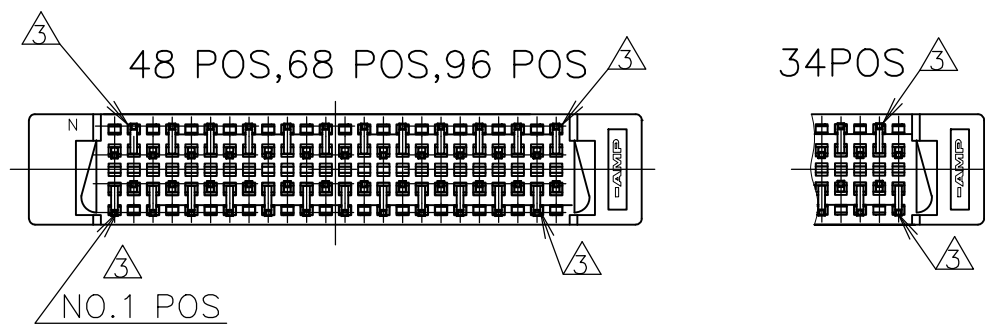
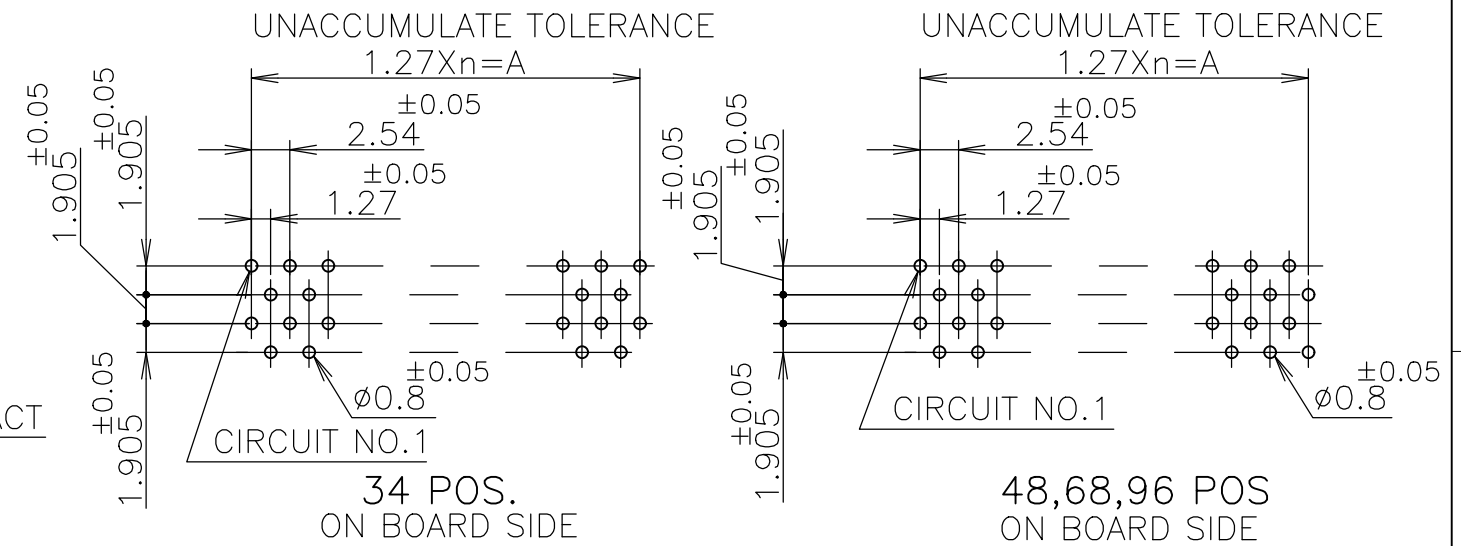
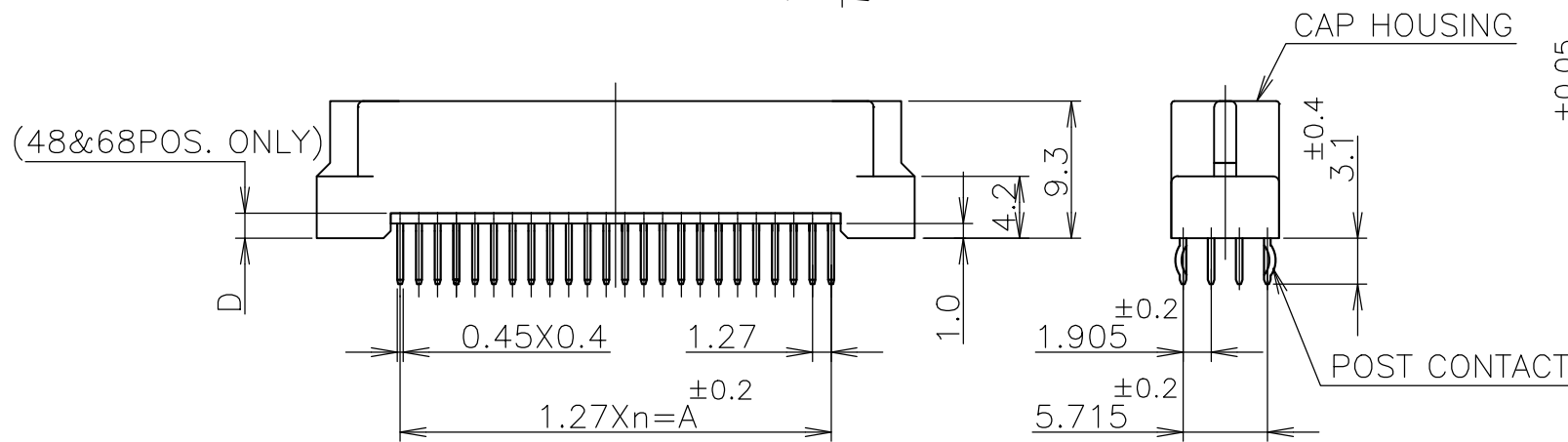


- 1 MATERIAL AND FINISH
CAP HOUSING ; THERMOPLASTIC (UL94V-0) COLOR:BLACK
POST CONTACT ; COPPER ALLOY FINISH,OVER NICKEL
MATING END:0.0002 MIN. OR 0.00076 MIN. GOLD
TERMINATION END:TIN OVER SEALING TREATMENT.

- 2 P.C.B. LAYOUT AND P.C.B. TREATMENT(REF.)
USE A P.C.B. SURFACE ARE TREATED WITH SOLDER RESIST.

- 3 KINK POSITIONS(4 POSITIONS).

- 4 OBSOLETE PARTS: OBSOLETE CIS STREAMLINING PER D.RENAUD/D.SINISI



4	OBSOLETE	Au PL. 0.00076 MIN.	96	48	59.69	64.06	71.00	—	47	96	6	—	—	8
	OBSOLETE		68	34	41.91	46.28	53.22	1.7	33	68	6	—	—	7
	OBSOLETE		48	24	29.21	33.58	40.52	1.7	23	48	6	—	—	6
	OBSOLETE		34	17	20.32	24.69	31.63	—	16	34	6	—	—	5
4	OBSOLETE	Au PL. 0.0002 MIN.	96	48	59.69	64.05	71.00	—	47	96				8
	OBSOLETE		68	34	41.91	46.28	53.22	1.7	33	68				7
	OBSOLETE		48	24	29.21	33.58	40.52	1.7	23	48				6
	OBSOLETE		34	17	20.32	24.69	31.63	—	16	34				5
REMARK			N	M	A	B	C	D	n	POS.	PART NO.			

THIS DRAWING IS A CONTROLLED DOCUMENT.

DIMENSIONS: 単位: 耗 mm

TOLERANCES UNLESS OTHERWISE SPECIFIED: 一般公差

GENERAL TOLERANCE 一般公差

10 ≥ : ±0.2
30 ≥ > 10: ±0.25
100 ≥ > 30: ±0.3
ANGLES: ±3°

MATERIAL 材料

FINISH 仕上

DWN T.KAWAMAE 04AUG05
CHK T.SASAKI 04AUG05
APVD T.SASAKI 04AUG05

PRODUCT SPEC 製品規格
APPLICATION SPEC 取付適用規格

WEIGHT 0.000000

CUSTOMER DRAWING

SCALE 尺度 2:1

SHEET 1 OF 1

REV S1

RESTRICTED TO

NAME 名称 CAP ASSY VERTICAL (W/KINK)
AMPLIMITE 050 SERIES I B-TO-B CONN.

SIZE A3 CAGE CODE 00779 DRAWING NO. 番号 C-5174683

STE TE Connectivity

单击下面可查看定价，库存，交付和生命周期等信息

[>>TE Connectivity\(泰科\)](#)