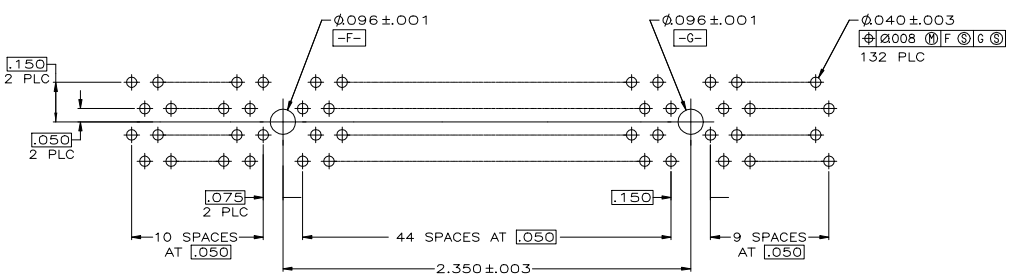
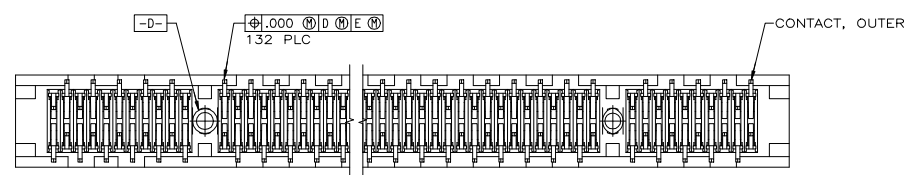
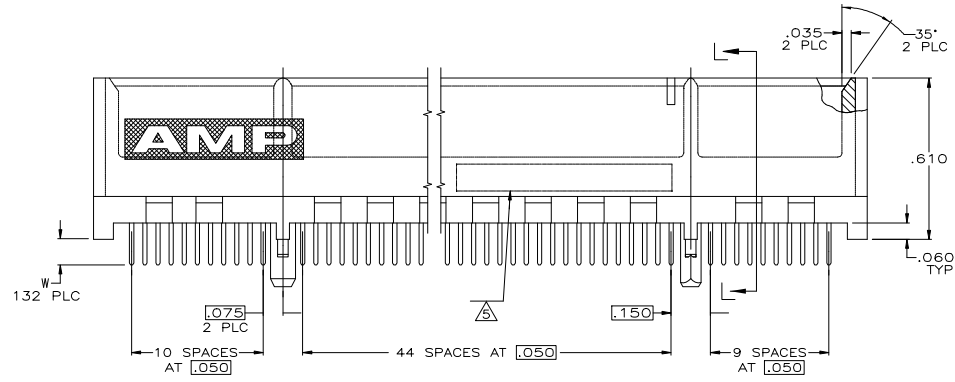
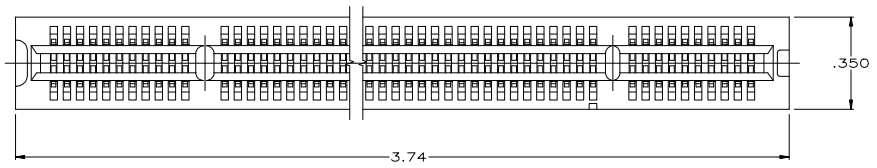
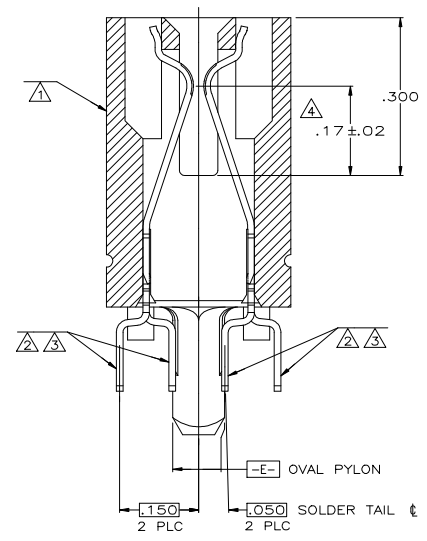


REVISIONS				
REV	DATE	DESCRIPTION	BY	APP'D
B1	ECC-19-002911		25FEB2019	AL HL

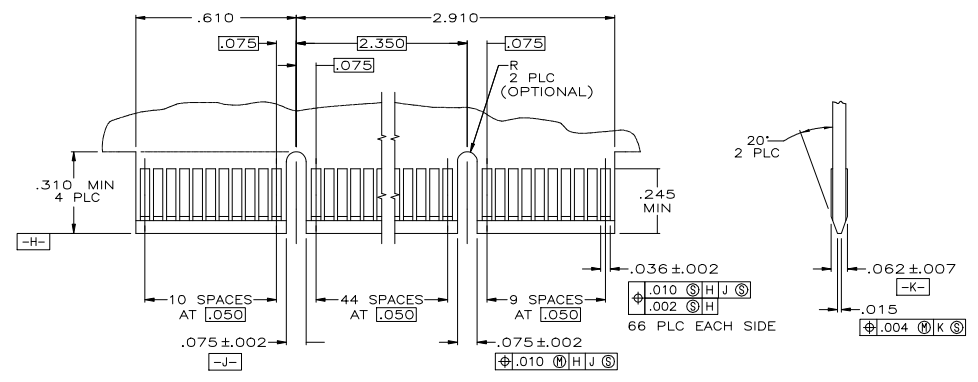


RECOMMENDED CONNECTOR MOUNTING HOLE PATTERN (CONNECTOR SIDE SHOWN)



SECTION L-L SCALE 8:1

- △ HOUSING: HIGH TEMPERATURE THERMOPLASTIC. COLOR: BROWN.
- △ CONTACT: PHOSPHOR BRONZE.
- △ CONTACT FINISH: .000100 MIN NICKEL ALL OVER, .000030 MIN GOLD OVER NICKEL IN CONTACT AREA, .000100 MIN MATTE TIN OVER NICKEL ON SOLDER TAILS.
- △ DISTANCE FROM CONTACT POINT TO BOTTOM OF CARD SLOT.
- △ AMP PART NUMBER, DATE CODE AND CSA LOGO MARKED IN APPROXIMATE AREA SHOWN.



RECOMMENDED MATING BOARD EDGE CONFIGURATION

OBsolete	.14	5650091-2
	.10	5650091-1
	W	PART NUMBER

THIS DRAWING IS A CONTROLLED DOCUMENT		DRN	AL FRANTUM	14 MAR 05
TO REMOVE LABELS OR CHANGE LABELS:		CR	AL FRANTUM	14 MAR 05
(B) DIMENSIONS:	INCHES	APD		NAME
0 PLC ± -		PRODUCT SPEC	108-14034	
1 PLC ± .0001		POPULATION SPEC:	114-26012	
2 PLC ± 0.25(01)		SIZE	A1	DATE CODE
3 PLC ± 0.18(005)		WEIGHT	0.000000	DRAWING NO
4 PLC ± 0.18(005)		FINISH		00779C=5650091
MATERIAL		RESTRICTED TO		
		CUSTOMER DRAWING		
		SCALE	4:1	SHEET 1 of 1
				REV B1

单击下面可查看定价，库存，交付和生命周期等信息

[>>TE Connectivity\(泰科\)](#)