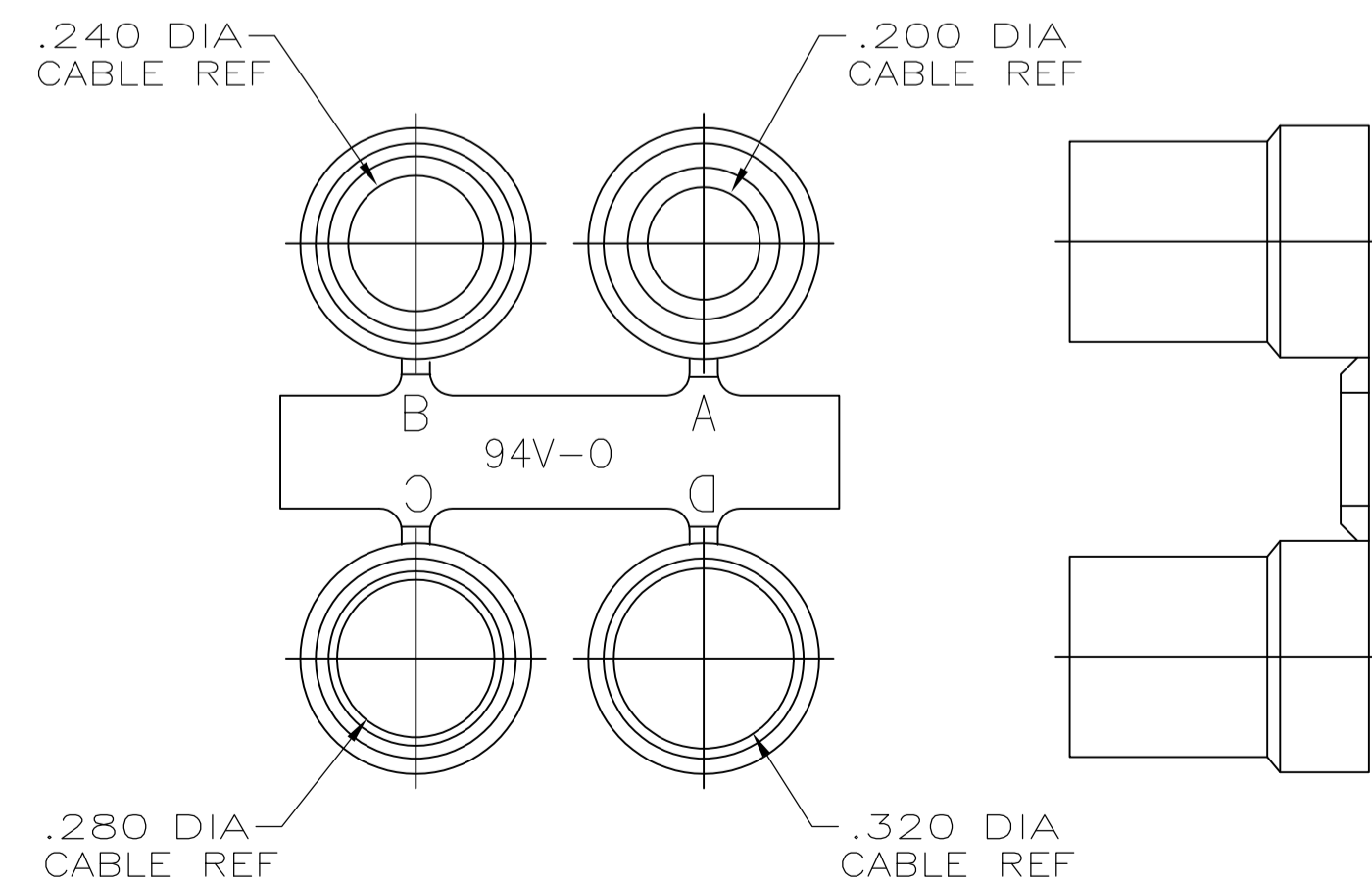
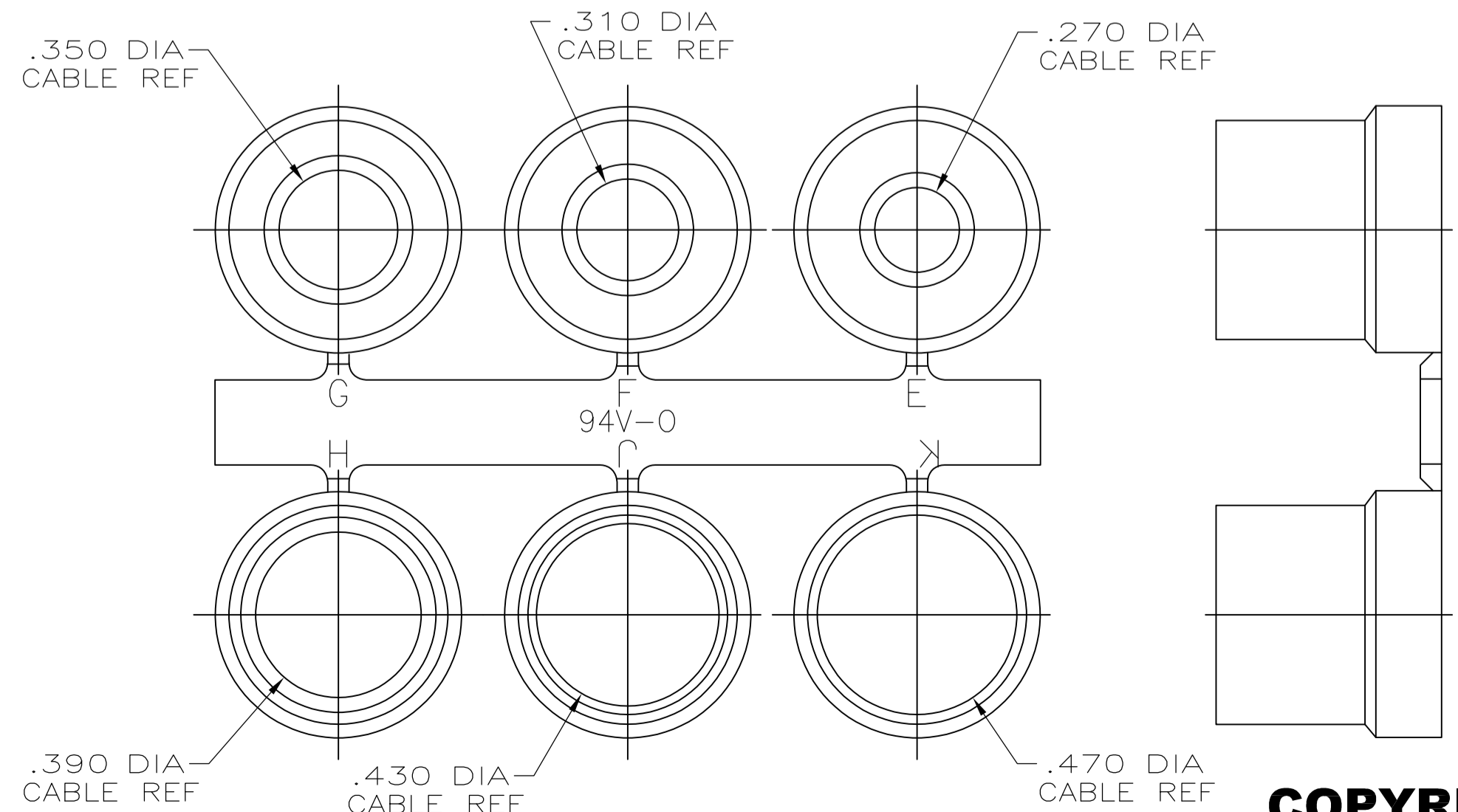


- PARTS PACKAGED UNASSEMBLED AS A UNIT KIT.
- CABLE CLAMP HALVES: BLACK ABS MOLDING COMPOUND, FILLISTER HEAD SCREWS, HEX NUTS & MOUNTING SCREWS: STEEL PER ASTM A108, GROMMETS: FLEXIBLE PVC, UL 94V-0 RATED, COLOR: BLACK.
- CABLE CLAMP HALVES: NICKEL OVER COPPER, FILLISTER HEAD SCREWS, HEX NUTS & MOUNTING SCREWS: ZINC PLATED .000200-.000400 THICK, CLEAR CHROMATE COATING.
- SIZE 3 CONFIGURATION SHOWN. NUMBER AND SIZE OF SLOTS IN THIS AREA VARIES BY CABLE CLAMP SIZE.



GROMMET ASSORTMENT FOR SIZES 1 & 2 ONLY



GROMMET ASSORTMENT FOR SIZES 3, 4 & 5 ONLY

| | | | | | | |
|------|------|-------|-------|-------|------|-----------|
| .900 | .730 | 2.644 | 1.920 | 2.406 | 5 | 5748677-5 |
| .800 | .620 | 2.738 | 1.920 | 2.500 | 4 | 5748677-4 |
| .680 | .640 | 2.090 | 1.920 | 1.852 | 3 | 5748677-3 |
| .620 | .620 | 1.545 | 1.910 | 1.312 | 2 | 5748677-2 |
| .570 | .630 | 1.215 | 1.910 | .984 | 1 | 5748677-1 |
| E | D | C | B | A | SIZE | PART NO |

THIS DRAWING IS A CONTROLLED DOCUMENT.

| | | | | | | | | |
|--------------------|--|------------|------------|------------|---------------|------------|------------|----|
| DIMENSIONS: INCHES | TOLERANCES UNLESS OTHERWISE SPECIFIED: | 0. PLC ± - | 1. PLC ± - | 2. PLC ± - | 3. PLC ± .005 | 4. PLC ± - | ANGLES ± - | |
| MATERIAL | FINISH | WEIGHT | SCALE | 3:1 | SHEET | 1 OF 1 | REV | A1 |

STE TE Connectivity

NAME: KIT, CABLE CLAMP, 180 DEG EXIT, W/GROMMETS AMPLIMITE SERIES, PLATED PLASTIC

SIZE: A1

CUSTOMER DRAWING

COPYRIGHT 2005
TE CONNECTIVITY CORP
ALL RIGHTS RESERVED

单击下面可查看定价，库存，交付和生命周期等信息

[>>TE Connectivity\(泰科\)](#)

[>>点击查看相关商品](#)