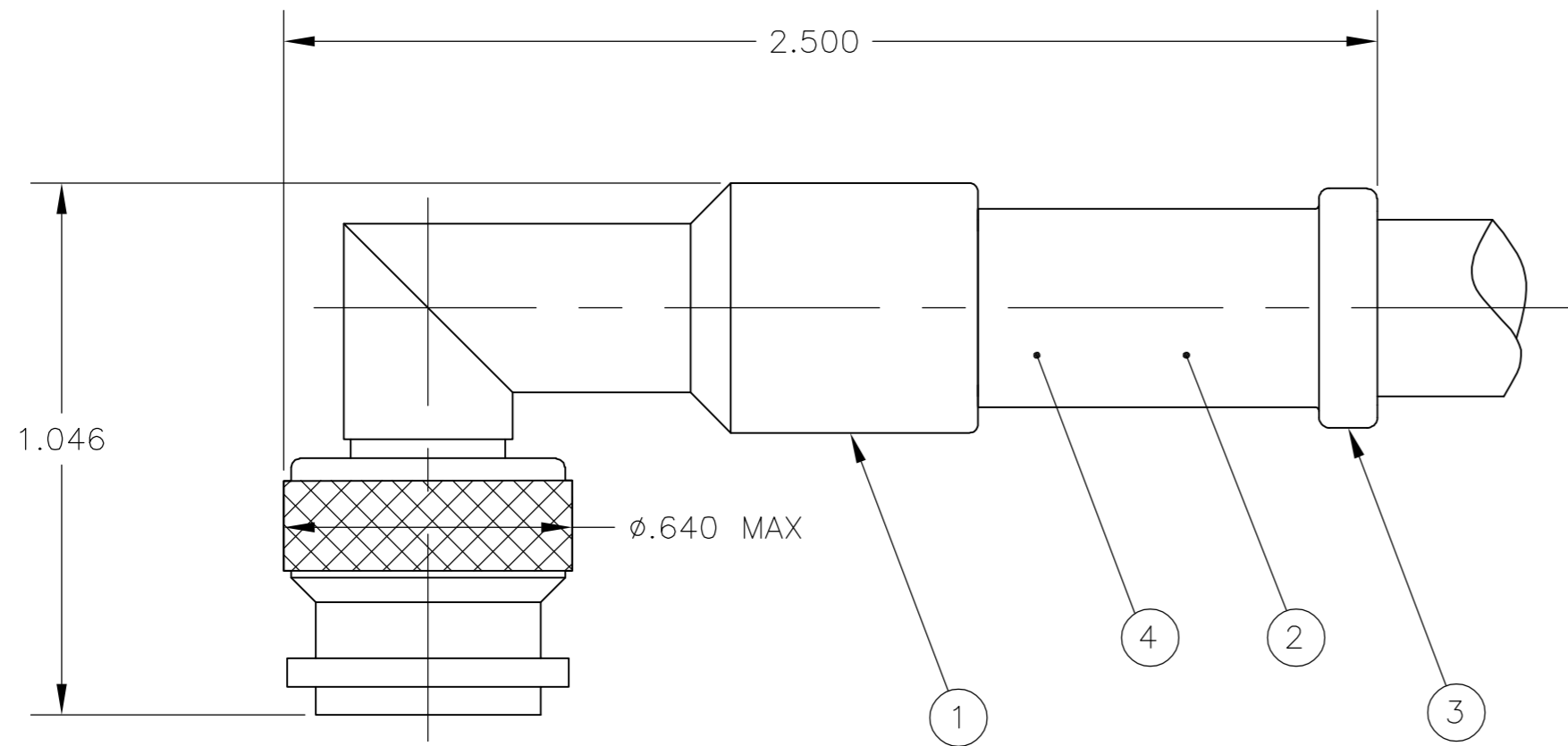


THIS DRAWING IS UNPUBLISHED. RELEASED FOR PUBLICATION  
 © COPYRIGHT BY TYCO ELECTRONICS CORPORATION. ALL RIGHTS RESERVED.

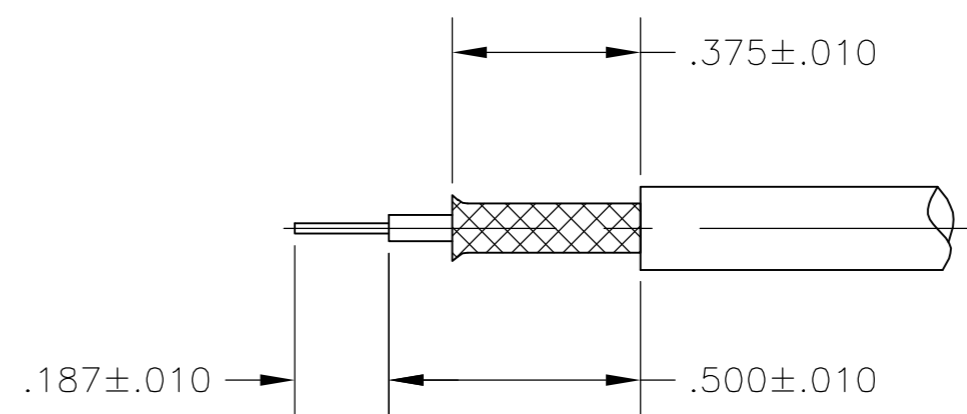
LOC	DIST	REVISIONS			
P	LTR	DESCRIPTION	DATE	DWN	APVD
AJ	16	0	RELEASED PER OS14-0496-04.	14FEB2005	JGH JL

1. INSTRUCTION SHEET: 408-2299-5.

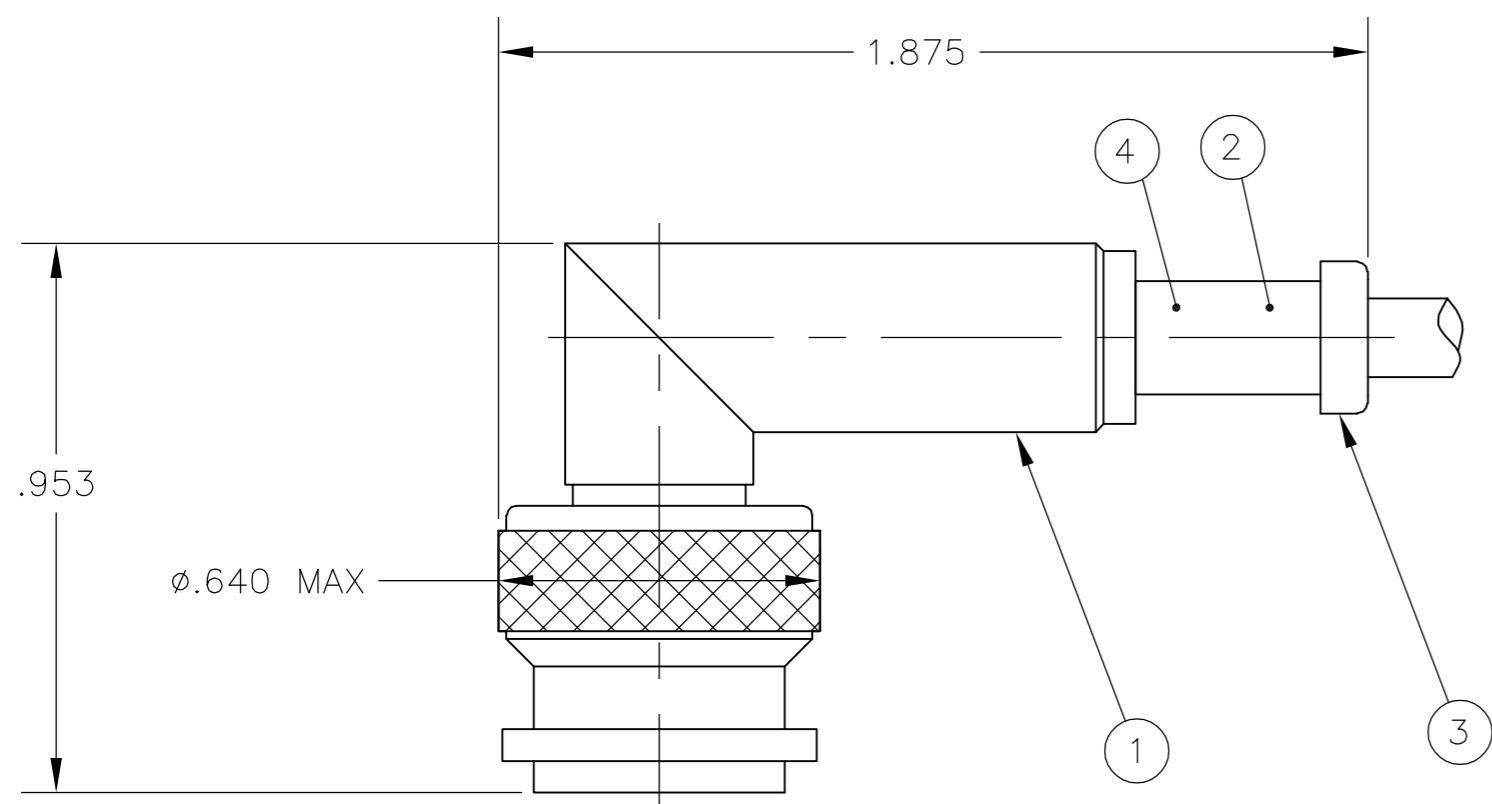


ASSEMBLED VIEW

VIEW Y

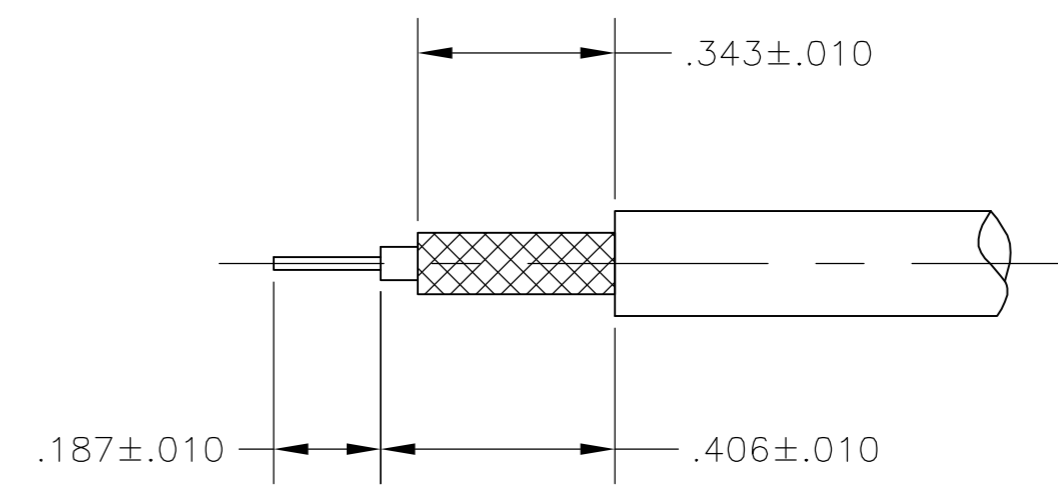


RECOMMENDED STRIP LENGTH



ASSEMBLED VIEW

VIEW X



RECOMMENDED STRIP LENGTH

RG 8/U & 213/U	220015-1	Y	332022	9-331987-0	225599-1	5-225518-2	5225559-8
RG 58A/U & 58C/U	220045-2	X	225592-1	9-225560-1	225471-1	5-225518-0	5225559-2
CABLE	HAND TOOL	VIEW	④ SEAL QTY: 1	③ FERRULE QTY: 1	② CONTACT QTY: 1	① PLUG ASSEMBLY QTY: 1	PART NUMBER

THIS DRAWING IS A CONTROLLED DOCUMENT.

DIMENSIONS: INCHES	TOLERANCES UNLESS OTHERWISE SPECIFIED:	DWN J. HAVENER 07FEB2005	Tyco Electronics Corporation Harrisburg, Pa 17105-3608
	0 PLC ± -	CHK J. HAVENER 14FEB2005	
	1 PLC ± -	APVD J. LIPPERT 14FEB2005	
	2 PLC ± -	PRODUCT SPEC	
MATERIAL	FINISH	3 PLC ± -	NAME
		4 PLC ± -	CONNECTOR, COAX, R.F. SERIES
		ANGLES ± -	TNC DUAL CRIMP, RIGHT ANGLE PLUG,
			WEATHER PROOF
			SIZE CAGE CODE DRAWING NO RESTRICTED TO
			WEIGHT - A2 00779 C=5225559 -
			CUSTOMER DRAWING SCALE 3:1 SHEET 1 OF 1 REV 0

单击下面可查看定价，库存，交付和生命周期等信息

[>>TE Connectivity\(泰科\)](#)