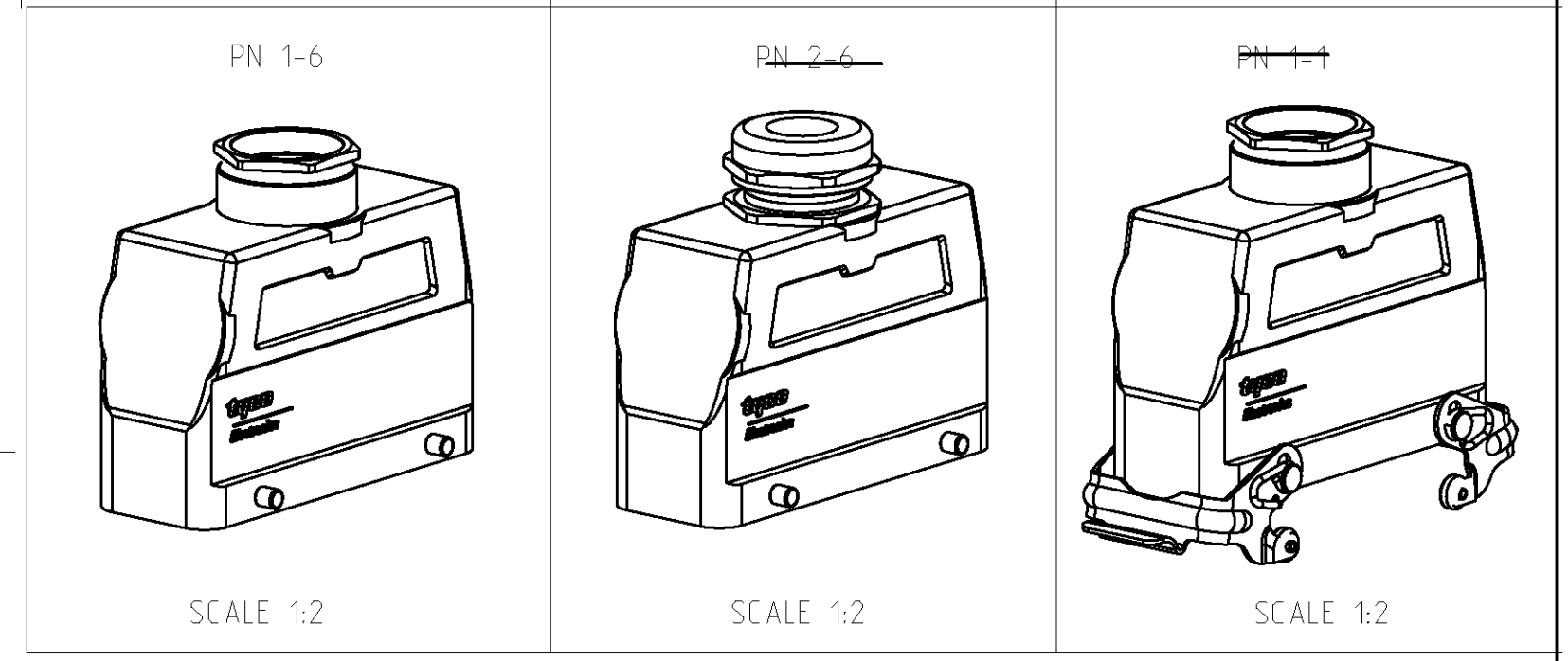
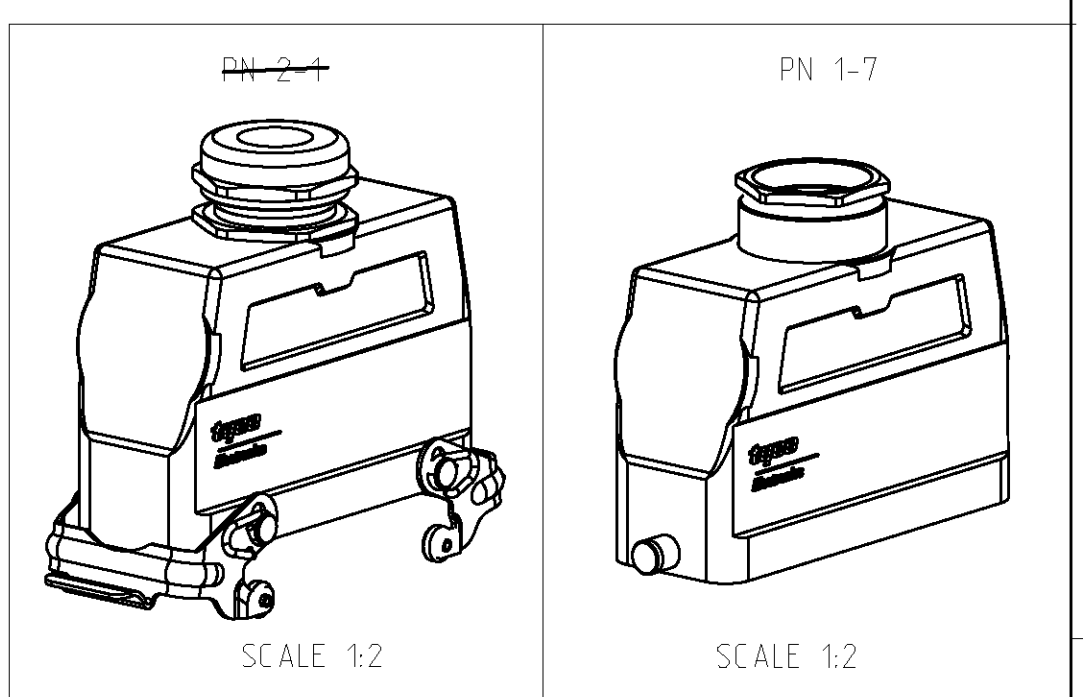


LOC	DIST	REVISIONS			
P	LYR	DESCRIPTION	DATE	DWN	APVD
A3		Released as per ECR-07-030424	17.12.07	SP	TS
A4		REVISED PER ECO-09-027197	21JAN10	KK	HMR

- NOTES.
- Material:Housing:Aluminium Diecasting Alloy  
Seals :Neoprene
  - Surface:Varnish grey:black
  - Varnish on the inside not necessary
  - Packaging  
Quantity 5 Pieces in a box
- 5** OBSOLETE PARTS: OBSOLETE CIS STREAMLINING PER D.RENAUD/D.SINIS



**OBSOLETE**  
**5**

QTY	DESCRIPTION	MATERIAL	SURFACE	COLOR	ITEM NO	REMARKS
2	LB-Side bolt	Steel	Zinc plated	Blue	9	
2	VS-Locking clip	Stainless steel			8	
2	VS-Locking clip	Steel	Zinc plated	Blue	7	
2	VS-Clip bolt	Stainless steel			6	
4	VS-Clip bolt	Steel	Zinc plated	Blue	5	
1	Hut-Gland fitting Pg29	Brass	Nickel plated		4	
1	PG-Gland fitting Pg29	Brass	Nickel plated		3	
1	Hood HD.64.Pg.1.29	Aluminium	Aluminium oxide	Black	2	
1	Hood HD.64.Pg.1.29	Aluminium		Grey	1	

ORDERING TEXT  
 HD.64.STO.1.29  
 HD.K.64.STO.1.29  
 HD.64.STO.VS.1.29  
 HD.K.64.STO.VS.1.29  
 HD.64.STO-GR.1.29

DIMENSIONS: mm		TOLERANCES UNLESS OTHERWISE SPECIFIED:		DWN Schneider 03-Jan-08		Tyco Electronics Tyco Electronics AMP GmbH	
9 PLC ±		OTHER SPECIFIED:		CEN Schneider		0-53819,Neunkirchen,Germany	
1 PLC ±		0.1mm		APVD Schneider		NAME Hood	
2 PLC ±		0.1mm		PRODUCT SPEC 108-74001		HD.64.STO.1.29	
3 PLC ±		0.1mm		APPLICATION SPEC 114-74001		SIZE CAGE CODE DRAWING NO	
4 PLC ±		0.1mm		WEIGHT		A   00779 C=1103342	
ANGLES		FINISH		CUSTOMER DRAW ING		RESTRICTED TO	
				SCALE 1:1		SHEET 1 OF 1 REV A4	

单击下面可查看定价，库存，交付和生命周期等信息

[>>TE Connectivity\(泰科\)](#)