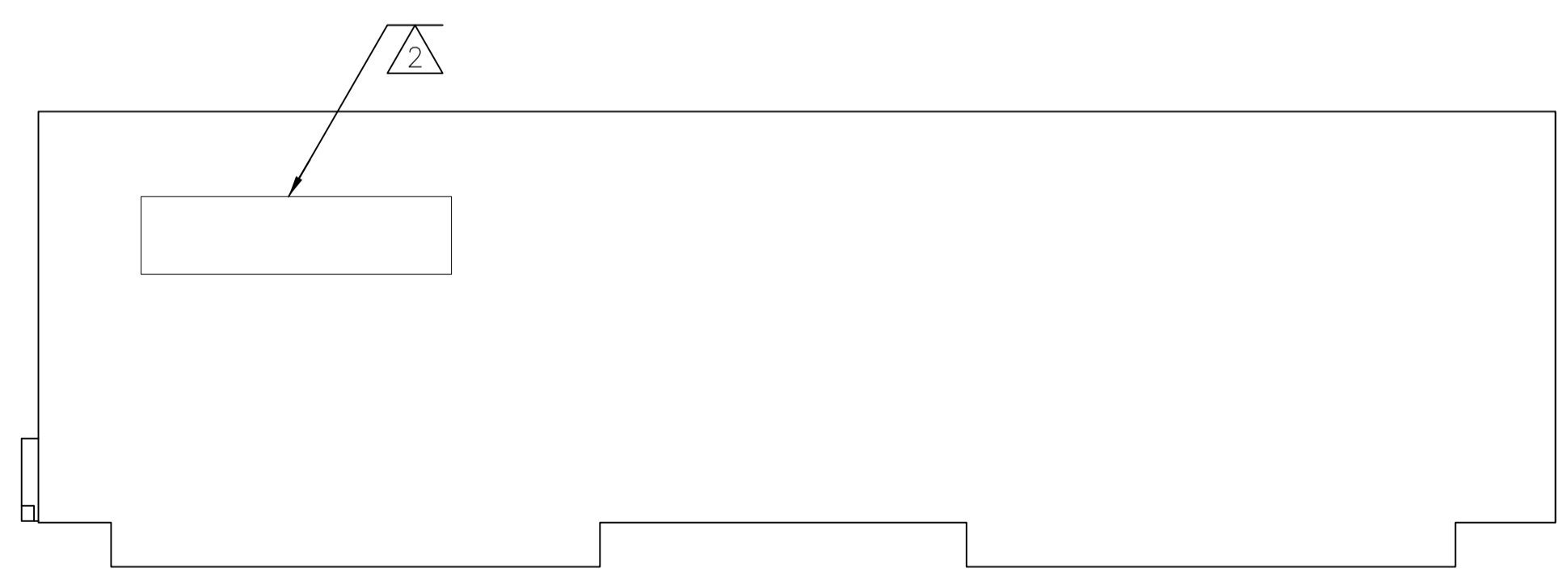
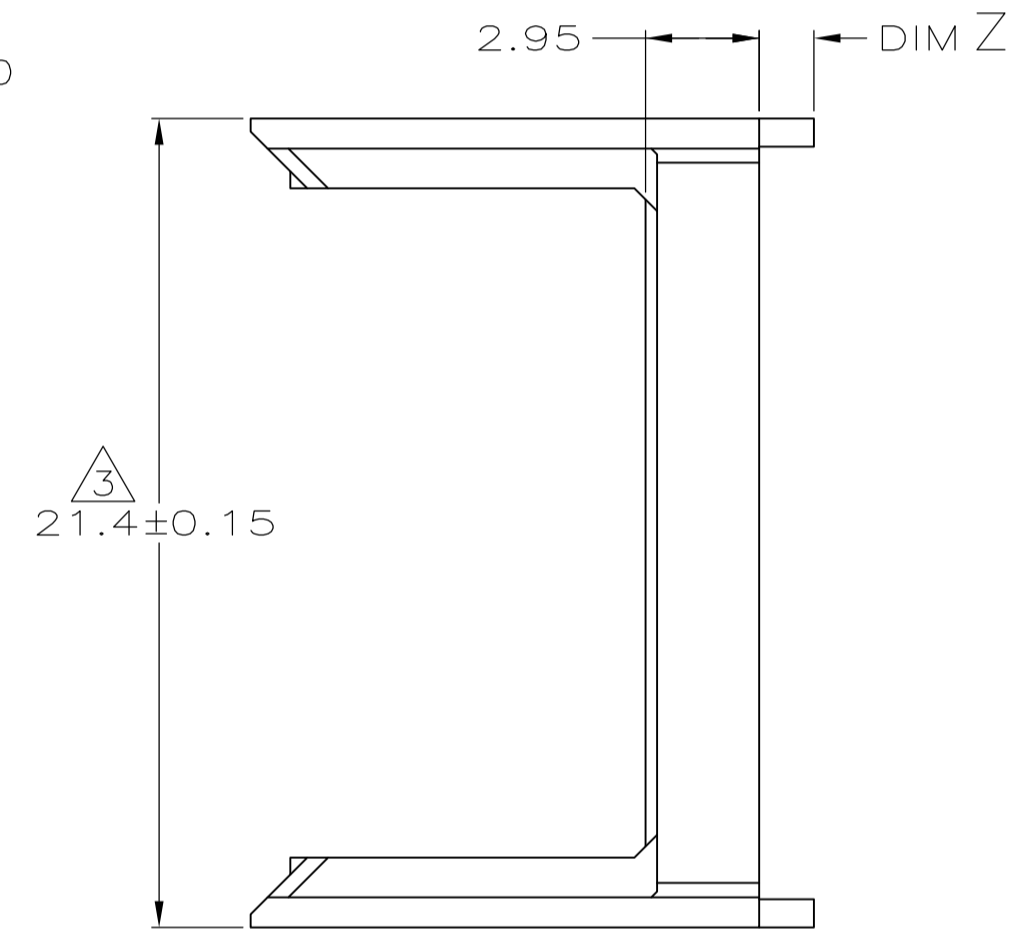
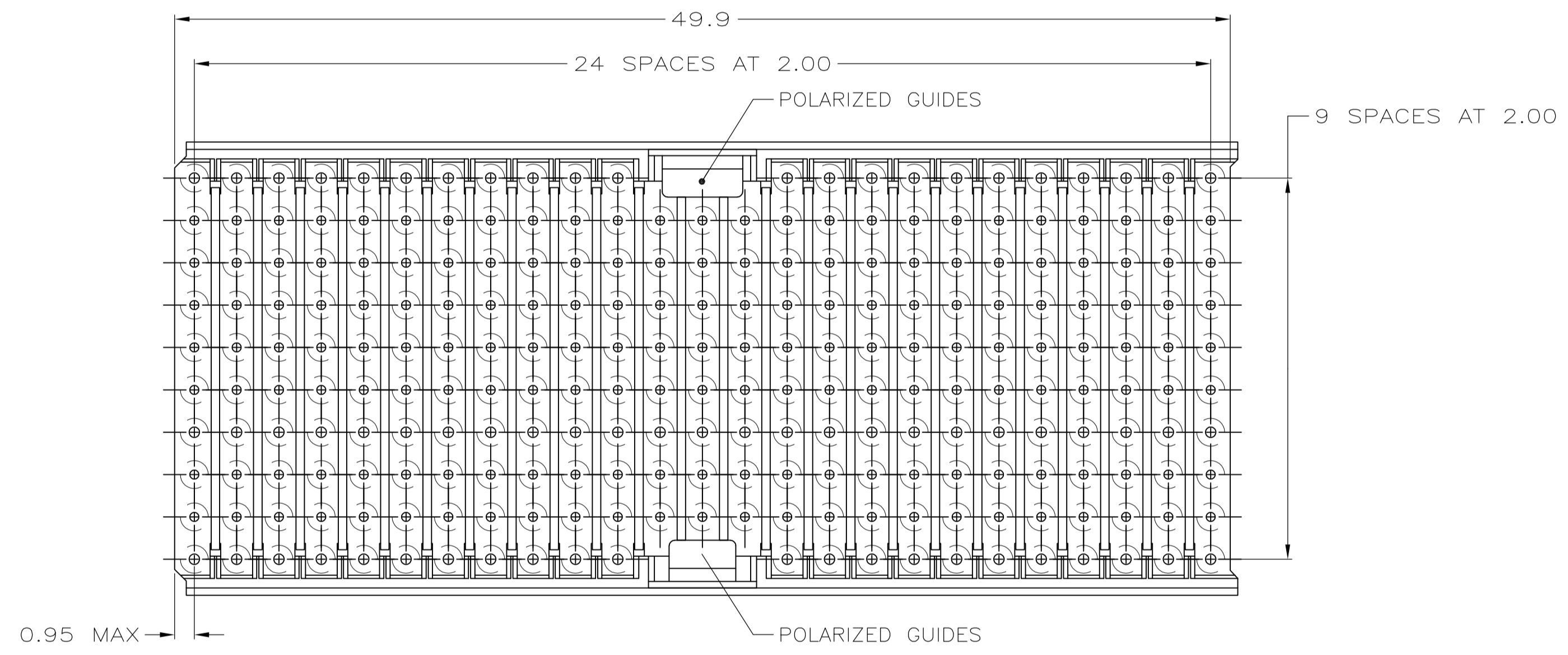
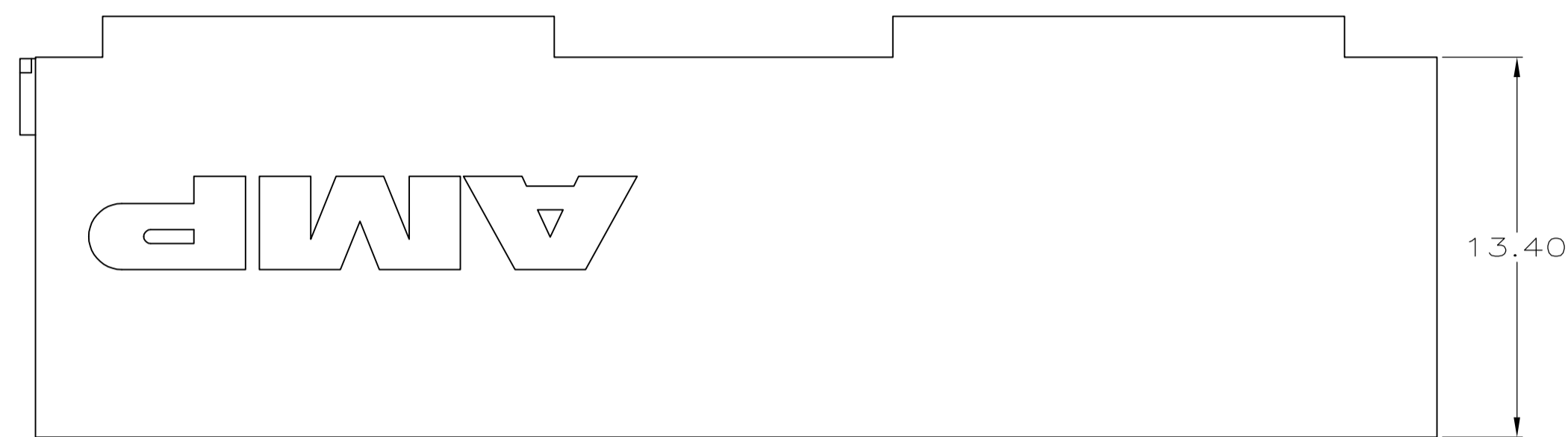


| LOC | | DIST | | REVISIONS | | | |
|-----|----|--------------------------|---------|-----------|-----|------|--|
| AD | 47 | REV | DATE | BY | CHK | APPV | |
| C | | REVISD PER ECO-07-027626 | 28NOV07 | DH | JE | | |
| C1 | | REVISD PER ECO-10-000443 | 21JAN10 | KK | HMR | | |
| D | | ECR-10-019054 | 15SEP10 | DP | MQW | | |

- △ MATERIAL: GLASS FILLED POLYESTER.
- △ PART NUMBER MARKED IN APPROXIMATE AREA SHOWN.
- △ TO BE MEASURED AT BASE OF SHROUD.
- △ OBSOLETE PARTS: OBSOLETE CIS STREAMLINING PER D.RENAUD/D.SINISI



| △ OBSOLETE | △ DIM Z | △ PART NUMBER |
|------------|---------|---------------|
| 1.90 | | 646726-7 |
| 1.70 | | 646726-6 |
| 1.50 | | 646726-5 |
| 1.30 | | 646726-4 |
| 1.10 | | 646726-3 |
| 0.90 | | 646726-2 |
| - | | 646726-1 |

THIS DRAWING IS A CONTROLLED DOCUMENT.

| | | | |
|------------------|--|---|---|
| DIMENSIONS: mm | TOLERANCES UNLESS OTHERWISE SPECIFIED: 0-PLC ± 1-PLC ± 0.1 2-PLC ± 0.05 3-PLC ± 4-PLC ± ANGLES ± | DIN L BRINER 8/20/00 CHK R PATTERSON 8/20/00 APPV R PATTERSON 8/20/00 | Tyco Electronics Corporation Harrisburg, PA 17105-3608 |
| MATERIAL △ 1 | FINISH - | NAME R PATTERSON APPLICATION SPEC - WEIGHT - | SHROUD, Z-PACK 2mm HM, TYPE D/E, 10 ROW, 244 POSITION |
| CUSTOMER DRAWING | | SIZE A1 CAGE CODE 00779 DRAWING NO. C=646726 | RESTRICTED TO - |
| | | SCALE 5:1 | SHEET 1 OF 1 REV D |

单击下面可查看定价，库存，交付和生命周期等信息

[>>TE Connectivity\(泰科\)](#)