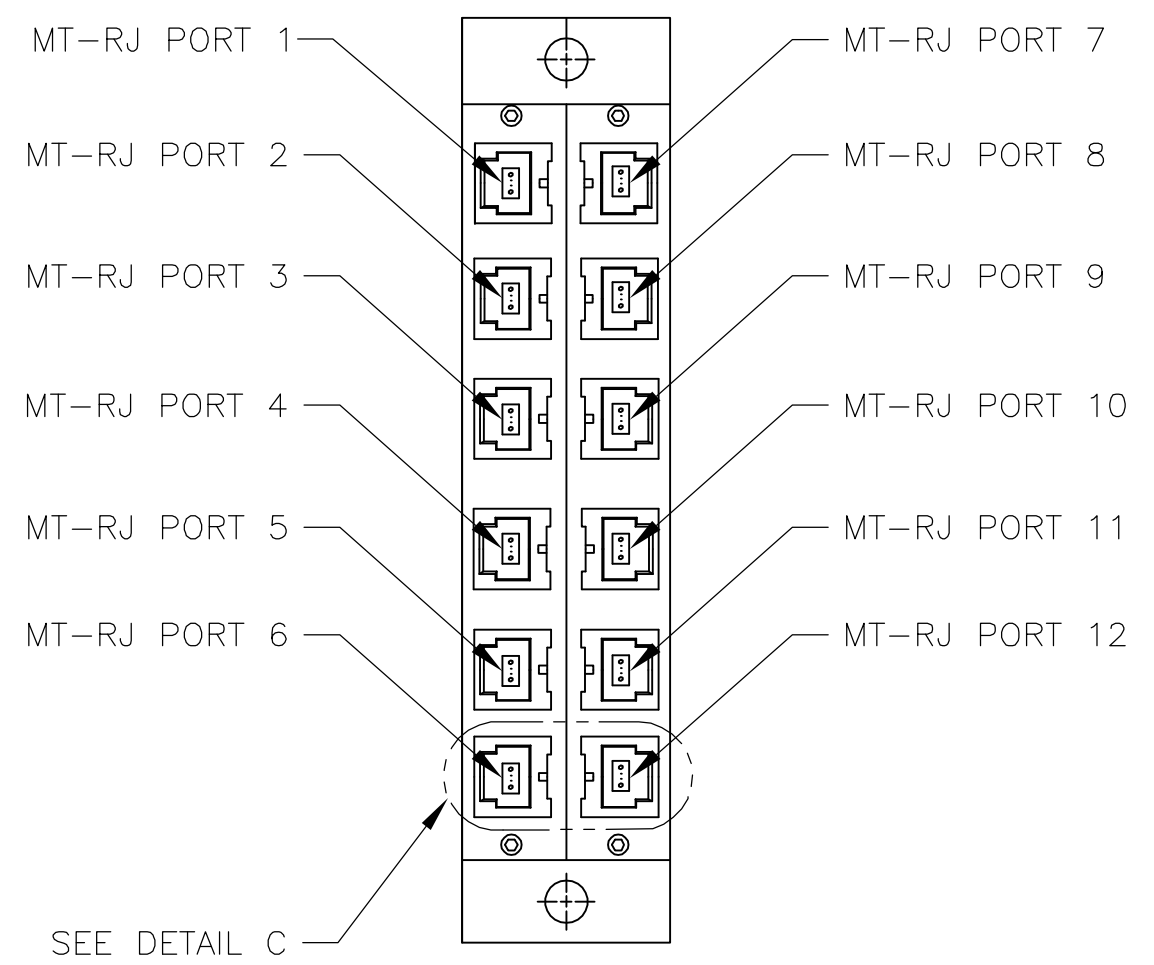
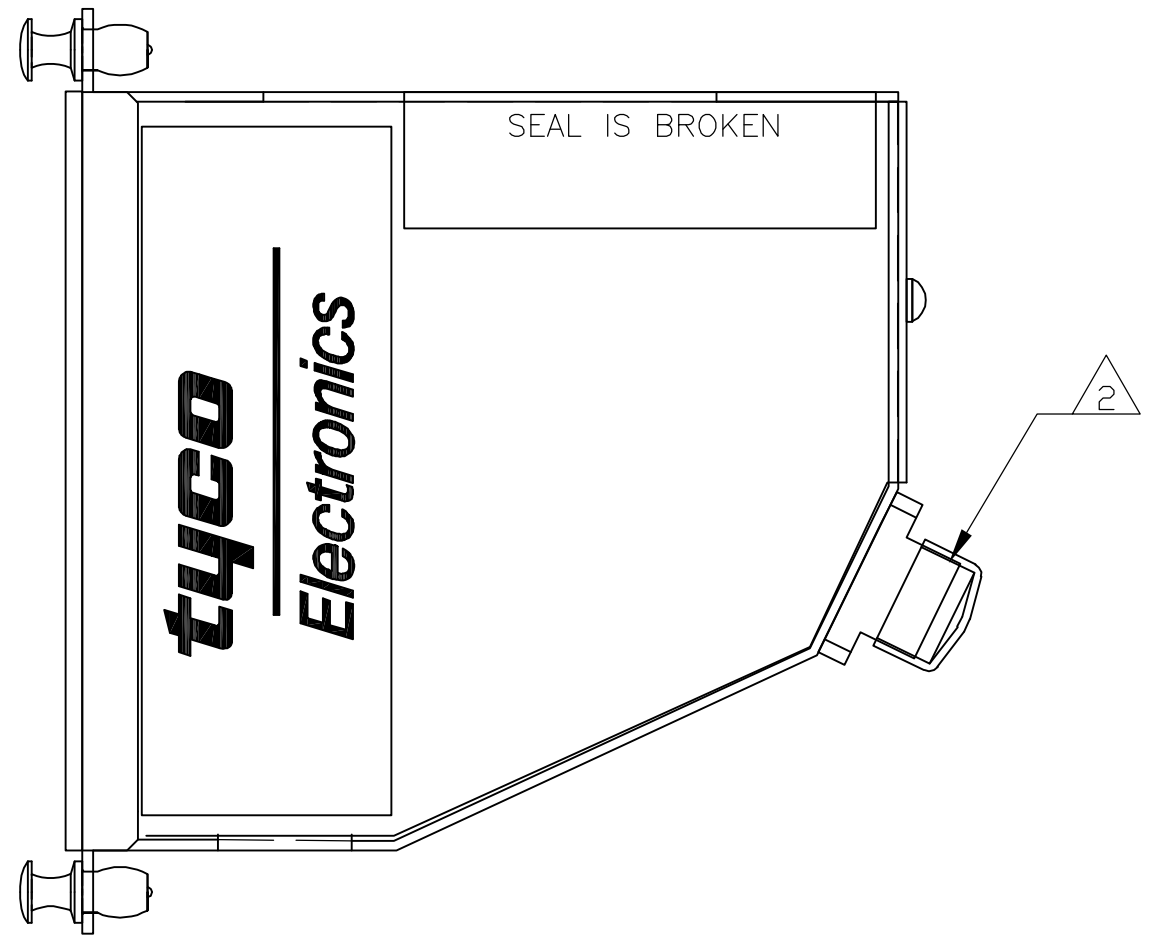


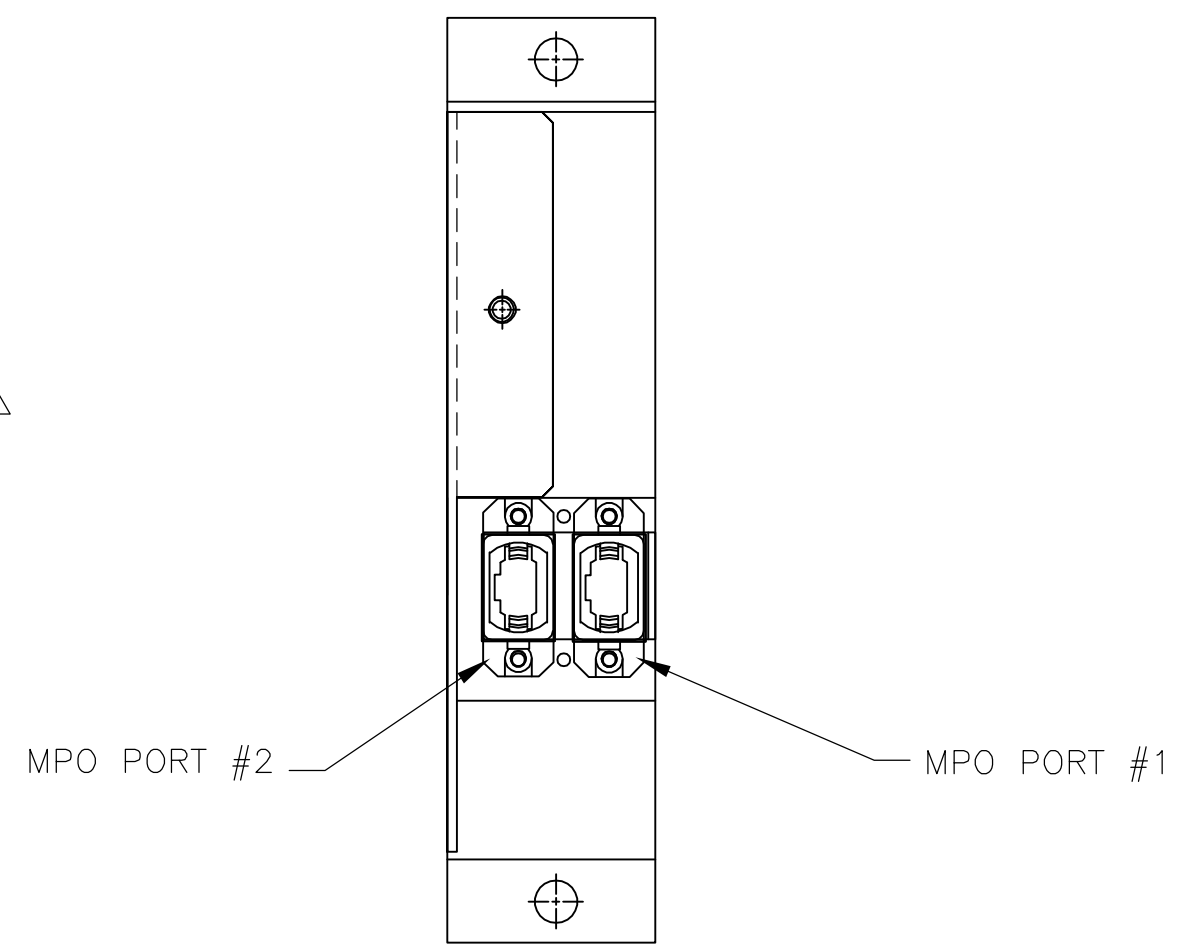
LOC	DIST	REVISIONS					
CE	17	P	LTR	DESCRIPTION	DATE	DWN	APVD
		A1		MINOR REVISION	11APR07	DLF	DLF



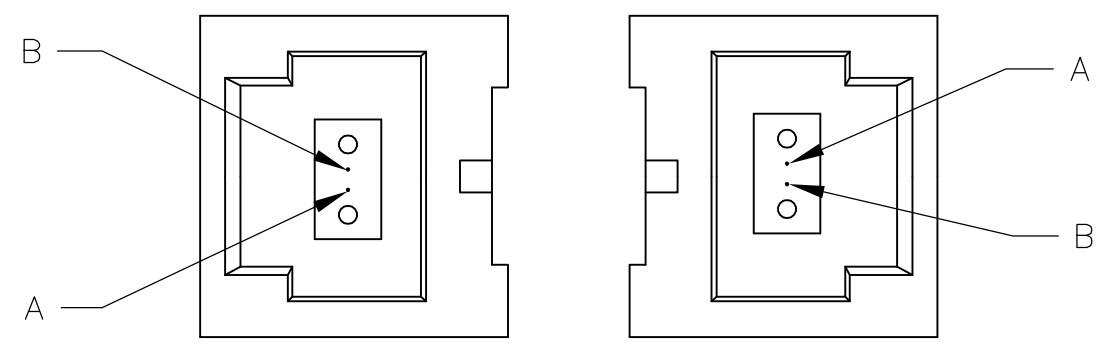
FRONT VIEW



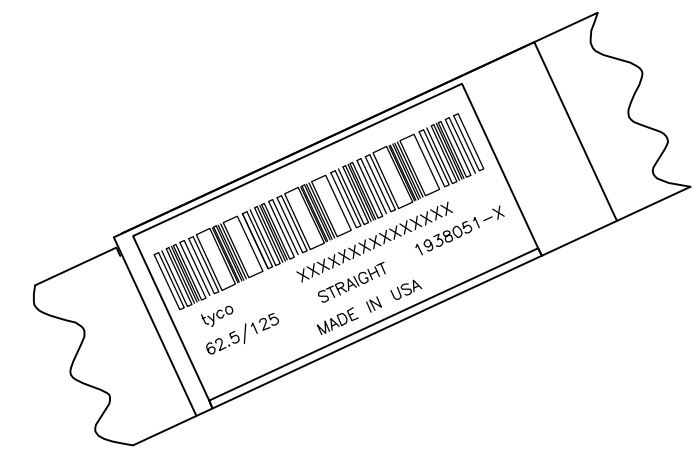
RIGHT SIDE VIEW



REAR VIEW



DETAIL C  
 NOT TO SCALE  
 TYP. 6 PLC.

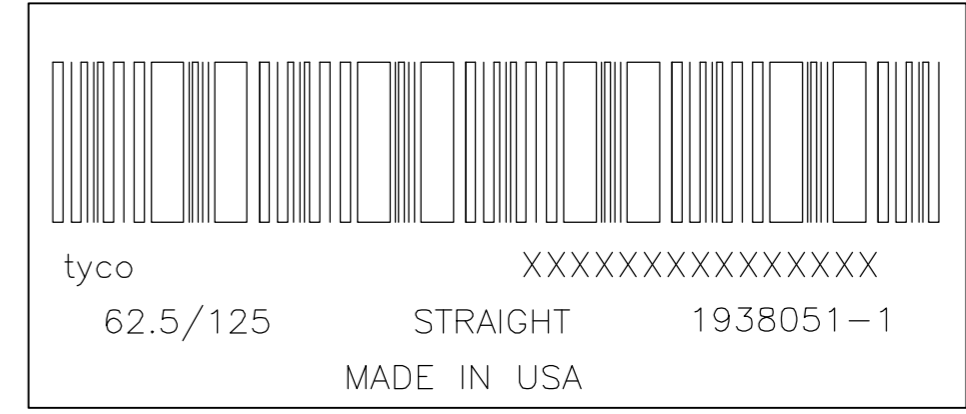


THIS DRAWING IS A CONTROLLED DOCUMENT.		DWN D. FENNELL 19MAR07	<b>tyco</b> Tyco Electronics Corporation	
		CHK D. FENNELL 19MAR07	Harrisburg, Pa 17105-3608	
		APVD D. FENNELL 19MAR07	NAME	
DIMENSIONS: mm		PRODUCT SPEC		
TOLERANCES UNLESS OTHERWISE SPECIFIED:		APPLICATION SPEC		
0 PLC ± -		SIZE CAGE CODE DRAWING NO RESTRICTED TO		
1 PLC ± -		A2 00779 C-1938051		
2 PLC ± -		SCALE NTS SHEET 1 OF 2 REV A1		
3 PLC ± -		CUSTOMER DRAWING		
4 PLC ± -				
ANGLES ± -				
FINISH -				

THIS DRAWING IS UNPUBLISHED. RELEASED FOR PUBLICATION  
 © COPYRIGHT BY TYCO ELECTRONICS CORPORATION. ALL RIGHTS RESERVED.

Loc	DIST	REVISIONS			
P	LTR	DESCRIPTION	DATE	DWN	APVD
CE	17	SEE SHEET 1	-	-	-

- 1. MAXIMUM CASSETTE ASSEMBLY LOSS: 1.25dB.
- 2. WHITE MARKING ON MPO TO BE FACING TOWARD TOP OF CONNECTOR MODULE. WHITE MARK INDICATES FIBER 1 SIDE.
- 3. SEE TRACE LABEL DETAIL.
- 4. SEE DETAIL C FOR FIBER CHANNEL ORIENTATION.
- 5. PRODUCT AND PROCESSING MUST MEET REQUIREMENTS OF TYCO ELECTRONICS STANDARD 230-702.
- 6. A COPY OF CASSETTE ASSEMBLY LOSS TEST DATA WILL BE PLACED INSIDE OR WITH THE UNIT PACKAGE. CASSETTES WILL BE TESTED AT 1300nm WAVELENGTH.



### FIBER PATH (STRAIGHT)

MPO PORT NUMBER	MPO FIBER NO	MT-RJ PORT NUMBER AND CHANNEL
#1	1	1B
	2	1A
	3	2B
	4	2A
	5	3B
	6	3A
	7	4B
	8	4A
	9	5B
	10	5A
	11	6B
	12	6A
#2	1	7B
	2	7A
	3	8B
	4	8A
	5	9B
	6	9A
	7	10B
	8	10A
	9	11B
	10	11A
	11	12B
	12	12A

AQUA SECURE	AQUA SECURE	1-1938051-1
SLATE SECURE	SLATE SECURE	1-1938051-0
ROSE SECURE	ROSE SECURE	1938051-9
VIOLET SECURE	VIOLET SECURE	1938051-8
BROWN SECURE	BROWN SECURE	1938051-7
ORANGE SECURE	ORANGE SECURE	1938051-6
YELLOW SECURE	YELLOW SECURE	1938051-5
BLUE SECURE	BLUE SECURE	1938051-4
GREEN SECURE	GREEN SECURE	1938051-3
RED SECURE	RED SECURE	1938051-2
BLACK STANDARD	ALMOND STANDARD	1938051-1
MPO COUPLING BUSHING COLOR & TYPE	MT-RJ ADAPTER COLOR & TYPE	PART NUMBER

THIS DRAWING IS A CONTROLLED DOCUMENT.		DWN D. FENNELL 19MAR07	<b>tyco</b> Tyco Electronics Corporation	
DIMENSIONS: mm		CHK D. FENNELL 19MAR07	Harrisburg, Pa 17105-3608	
TOLERANCES UNLESS OTHERWISE SPECIFIED: 0 PLC ± - 1 PLC ± - 2 PLC ± - 3 PLC ± - 4 PLC ± - ANGLES ± -		APVD D. FENNELL 19MAR07	NAME CASSETTE ASSY, 62.5/125um, 12 PORT, MPO SECURE TO MT-RJ SECURE, STRAIGHT FIBER PATH	
MATERIAL		FINISH	SIZE A2	CAGE CODE 00779
		WEIGHT	DRAWING NO 1938051	RESTRICTED TO
		CUSTOMER DRAWING	SCALE NTS	SHEET 2 of 2
			REV A1	

单击下面可查看定价，库存，交付和生命周期等信息

[>>TE Connectivity\(泰科\)](#)