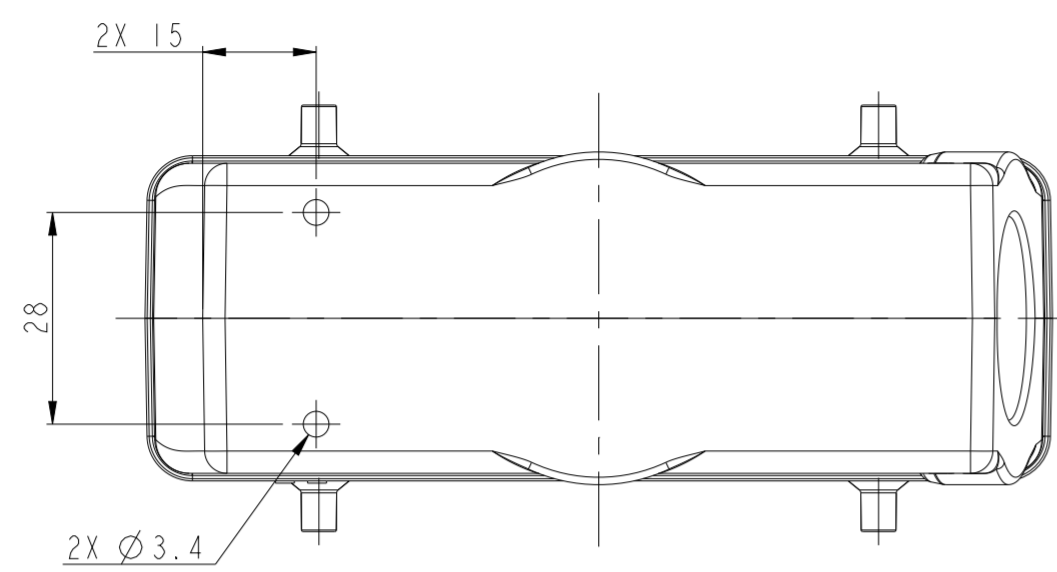
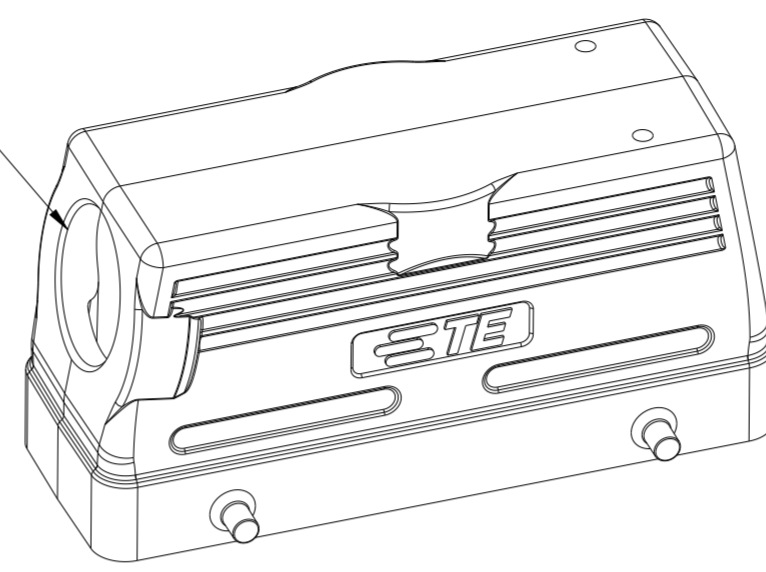


THIS DRAWING IS UNPUBLISHED. RELEASED FOR PUBLICATION
 © COPYRIGHT copyright.d8te ALL RIGHTS RESERVED.

REVISIONS					
P	LTR	DESCRIPTION	DATE	DWN	APVD
A		INITIAL	17JUN2017	CH	CW
B		ECR-20-014876	22OCT2020	WOR	CW



PG/M THREAD 1
 THREAD LENGTH 15 MIN
 PG/M 螺纹孔 I
 螺纹长度至少 15



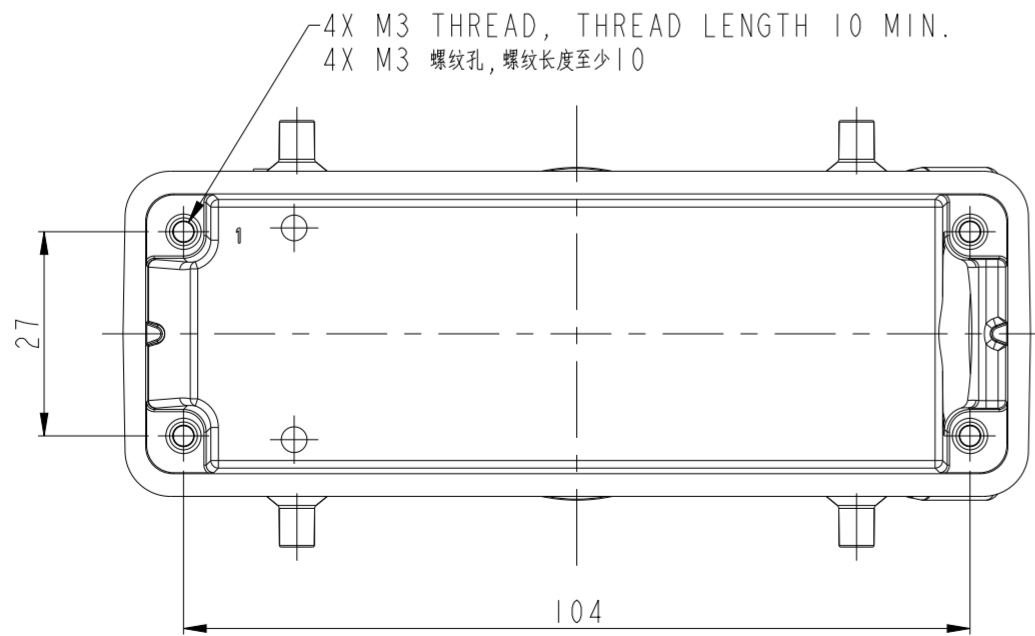
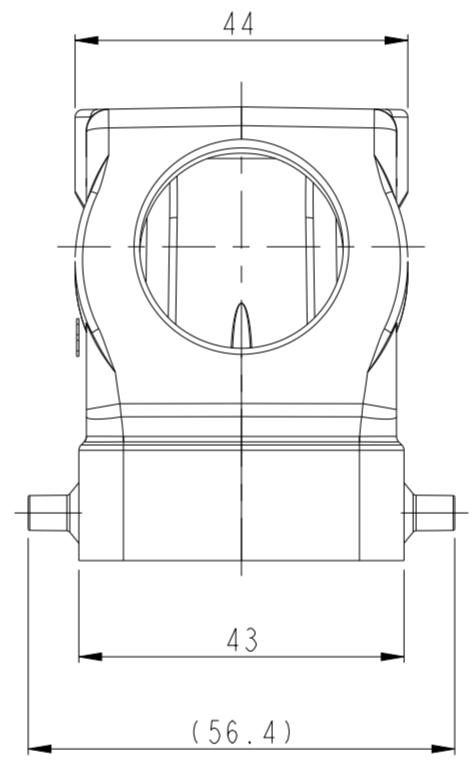
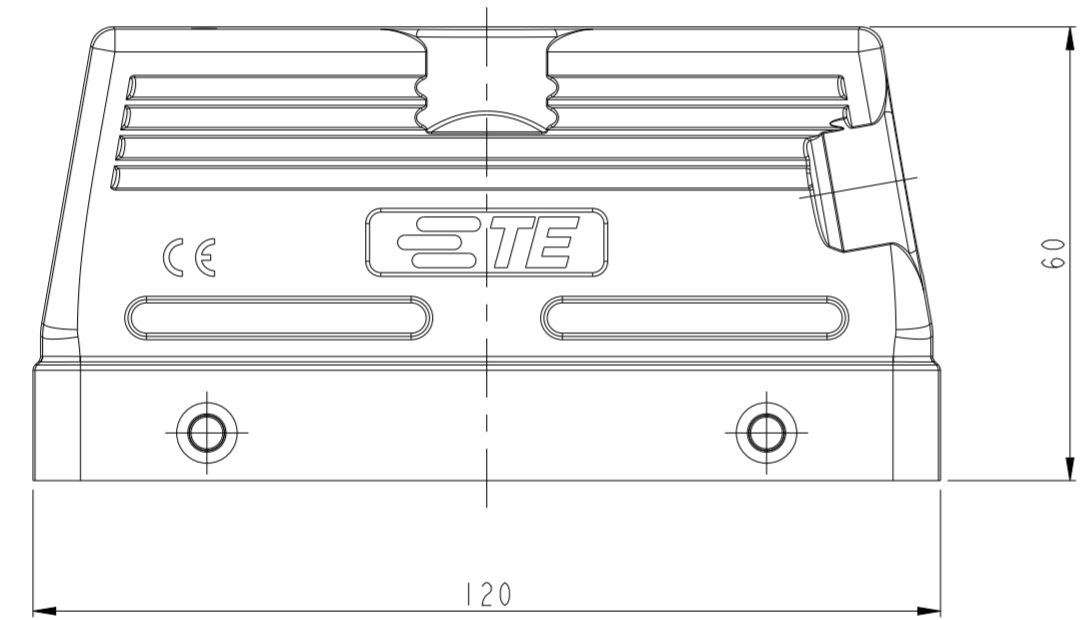
SCALE 4:5

NOTES:

- 1. TECHNICAL CHARACTERISTICS:
 HOOD MATERIAL: DIE CAST ALUMINIUM ALLOY
 SURFACE: POWDER COATED, COATED
 DEGREE OF PROTECTION: IP65 (MATED)

注释:

- 1. 技术参数:
 上壳材料: 铝合金
 表面处理: 灰色粉末喷涂
 防护等级: IP65(配合)



4X M3 THREAD, THREAD LENGTH 10 MIN.
 4X M3 螺纹孔, 螺纹长度至少 10

T1210240121-100	H24B-TS-PG21	H24B HOOD, SIDE ENTRY PG21, 4 EAR, DRILLING 2 HOLES WITH DIA. Ø3.4 IN THE BOTTOM, POWDER COATED, GREY	PG21
PART NUMBER 成品料号	PART DESCRIPTION 成品描述		PG/M THREAD 1 PG/M 螺纹孔 I

THIS DRAWING IS A CONTROLLED DOCUMENT.		DWN CHARLIE HU 17JUN2017	TE Connectivity	
DIMENSIONS: mm		CHK GINO.YAO 17JUN2017		
TOLERANCES UNLESS OTHERWISE SPECIFIED:		APVD CHRIS.WANG 17JUN2017	NAME H24B-TS-PG21	
0 PLC ±-		PRODUCT SPEC 108-137013	SIZE A2	
1 PLC ±-		APPLICATION SPEC 114-137013	CAGE CODE -	
2 PLC ±-		WEIGHT -	DRAWING NO G-T1210240121100	
3 PLC ±-		RESTRICTED TO		
4 PLC ±-		SCALE 1:1		
ANGLES ±-		SHEET OF		
FINISH -		REV B		
MATERIAL -		CUSTOMER DRAWING		

单击下面可查看定价，库存，交付和生命周期等信息

[>>TE Connectivity\(泰科\)](#)