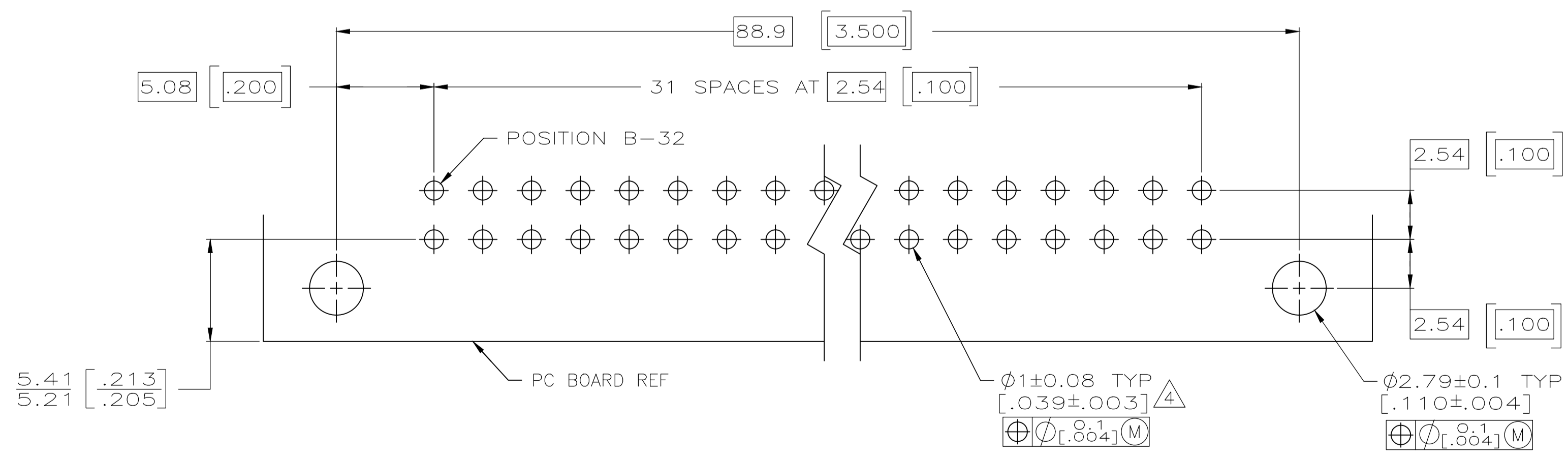
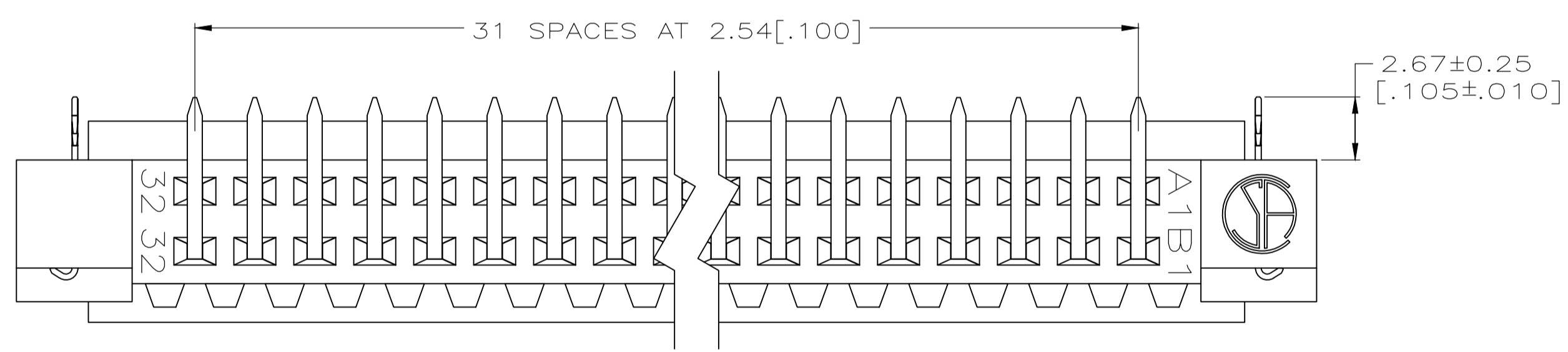
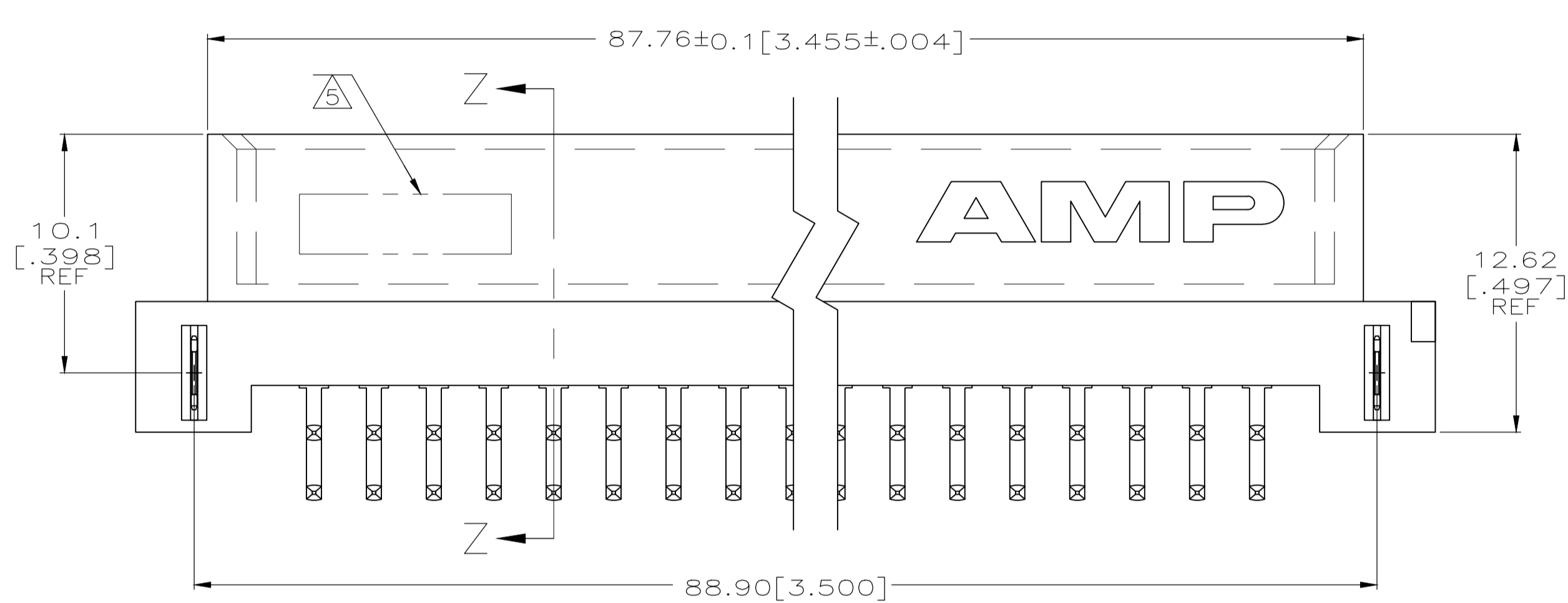
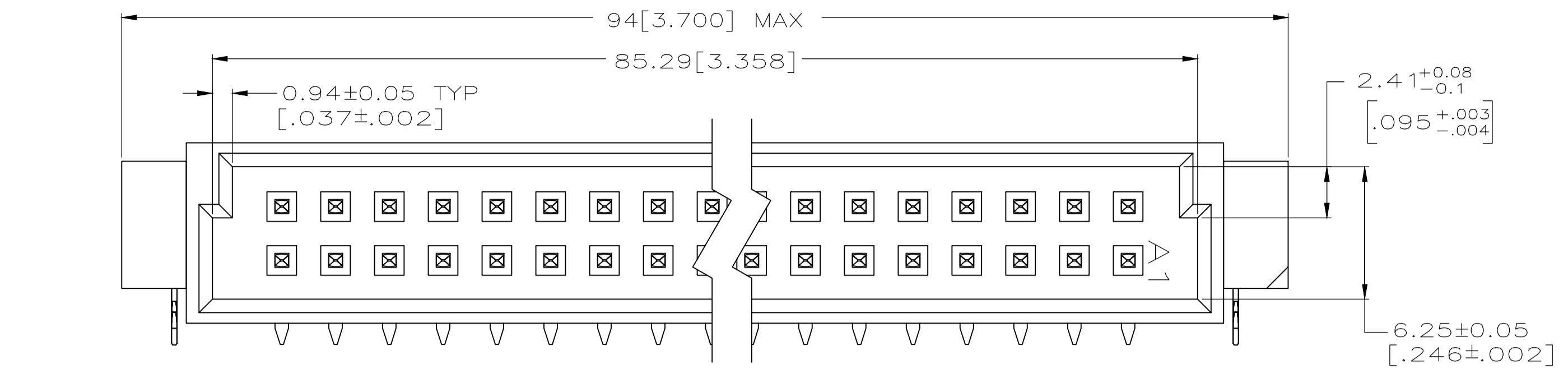
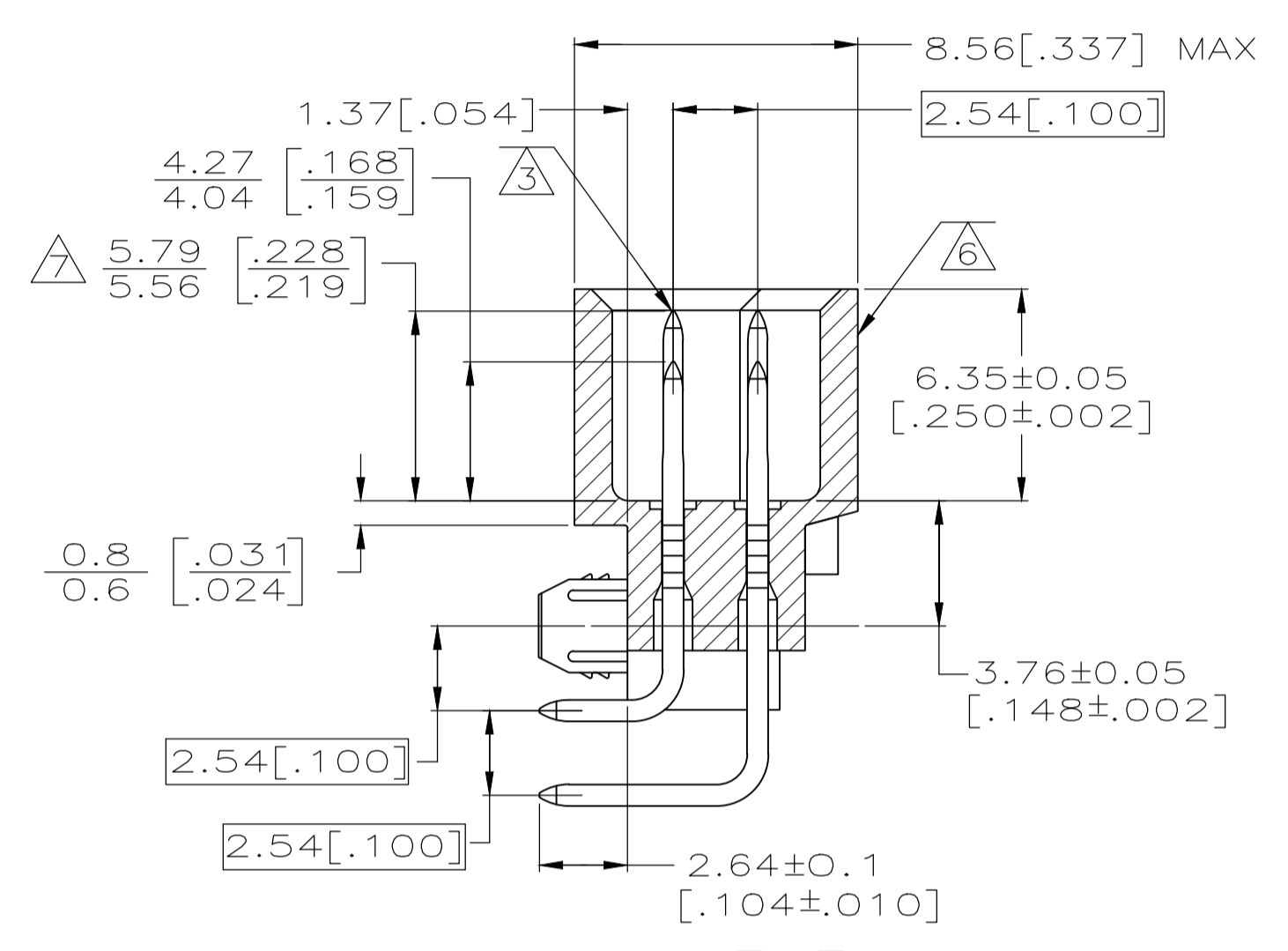


REVISIONS				
P	LTR	DESCRIPTION	DATE	BY
A		REVISED PER ECO-20-003008	03MAR2020	SY HL



RECOMMENDED PC BOARD LAYOUT

- 1 HOUSING MATERIAL: GLASS-FILLED POLYMER.
- 2 POST MATERIAL: COPPER ALLOY.
- 3 POST FINISH: DIN 41612 CLASS 2 IN CONTACT AREA. TIN PLATE ON POSTS.
- 4 RECOMMENDED HOLE SIZE FOR MANUAL APPLICATION OF CONNECTOR ONTO PC BOARD.
- 5 PART NUMBER, DATE CODE MARKED THIS APPROXIMATE AREA.
- 6 MARKINGS ON THIS SIDE.
- 7 THE 5.69[.224] LONG MAKE FIRST POSTS EXCEED THE ALIGNMENT CAPABILITY OF THE HOUSING AND COULD POSSIBLY STUB DURING MATING. CUSTOMERS MUST TAKE THIS INTO CONSIDERATION IN CARD CAGE DESIGN.



SECTION Z-Z

PLC	PLC	PLC	PLC	ROWS	NO. OF LOADED POSITIONS	PART NUMBER
1-2,9-14,20,23-24,30-32	3-8,15-19,21-22,25-29	B	32			1-5148268-5
1-2,9-14,20,23-24,30-32	3-8,15-19,21-22,25-29	A	32			
9-14,16,18,20,23,24	15,17,19,21,22	B	16			5148268-5
9-14,16,18,20,23,24	1,15,17,19,21,22,32	A	18			
POSITIONS LOADED WITH 5.69[.224] CONTACTS	POSITIONS LOADED WITH 4.16[.164] CONTACTS					

THIS DRAWING IS A CONTROLLED DOCUMENT.

DIMENSIONS: mm [INCHES]

TOLERANCES UNLESS OTHERWISE SPECIFIED:

0 PLC	± -
1 PLC	± -
2 PLC	± 0.13[.005]
3 PLC	± -
4 PLC	± -
ANGLES	± -

MATERIAL: 1 2 FINISH: 3

THIS DRAWING IS A CONTROLLED DOCUMENT.

DIN: J. POLIGNONE OSIMAYOS

CHK: A. SHARPE OSIMAYOS

APVD: A. SHARPE OSIMAYOS

PRODUCT SPEC: -

APPLICATION SPEC: -

SIZE: A1

CAGE CODE: 00779

DRAWING NO: 5148268

RESTRICTED TO: -

WEIGHT: 0.000000

CUSTOMER DRAWING

SCALE: 5:1

SHEET: 1 OF 1

REV: A

单击下面可查看定价，库存，交付和生命周期等信息

[>>TE Connectivity\(泰科\)](#)