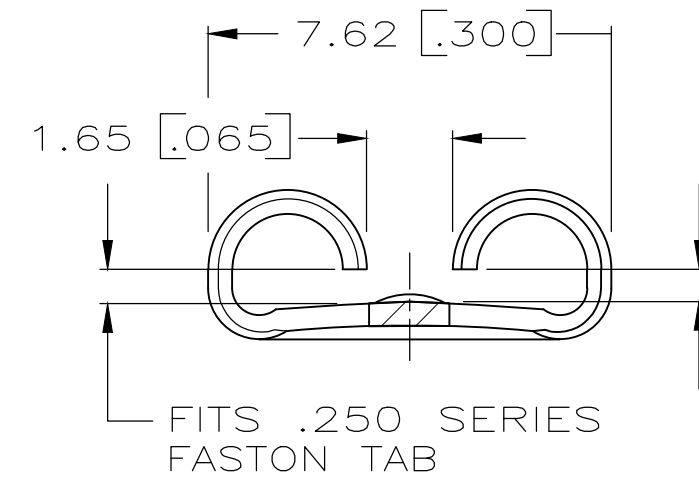
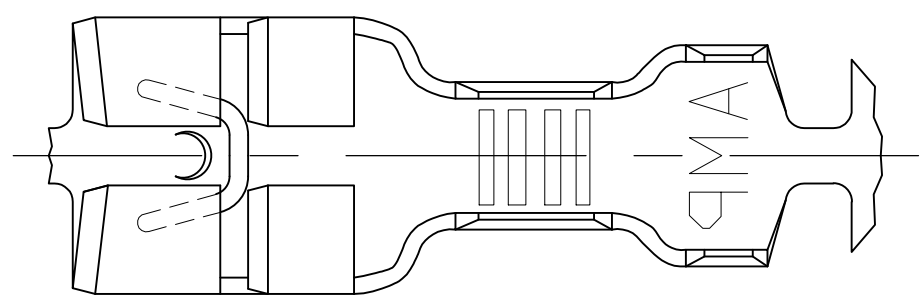
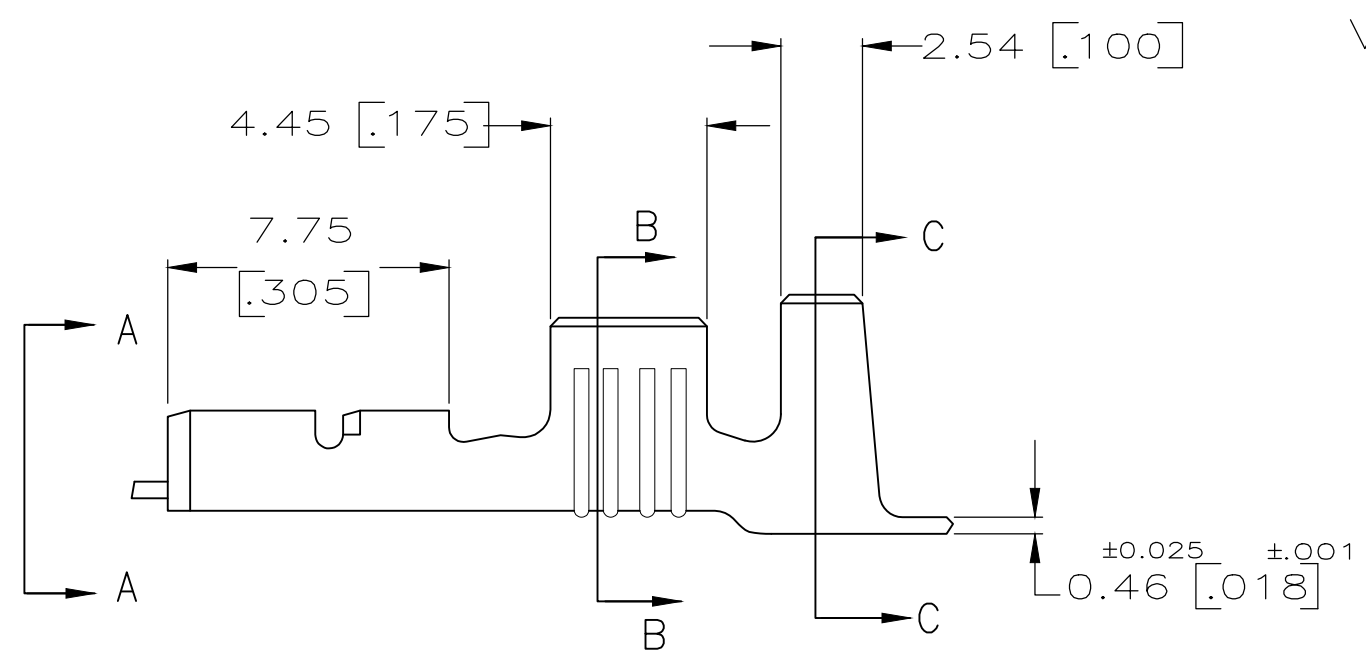


THIS DRAWING IS UNPUBLISHED. RELEASED FOR PUBLICATION
 © COPYRIGHT - By - ALL RIGHTS RESERVED.

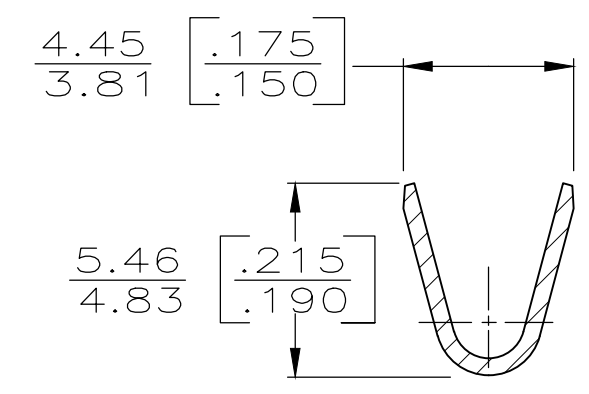
LOC	DIST	REVISIONS			
P	LTR	DESCRIPTION	DATE	DWN	APVD
AF	50	K1	REVISED PER ECR-20-009164	3AUG2020	MK DH



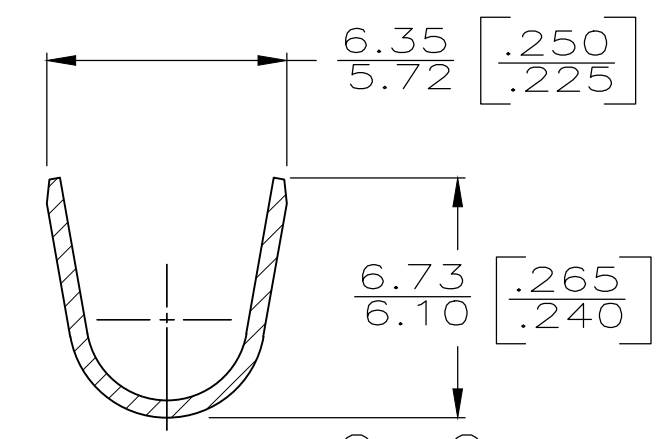
- 1 DIMENSIONS IN BRACKETS ARE IN INCHES.
- 2 CONTINUOUS STRIP ON REELS.



VIEW A-A



SECTION B-B



SECTION C-C

TIN	5.08-3.81 [.200-.150]	2.0-5.0mm ² [14-10]	0.84-0.76 [.033-.030]	63365-2
FINISH	INSULATION RANGE	WIRE SIZE	MATING TAB THK.	63365-1
				PART NO

THIS DRAWING IS A CONTROLLED DOCUMENT.		DWN JR RUTH 10/10/86	TE Connectivity RECEPTACLE, FASTON, LOW-INSERTION, .250 SERIES											
DIMENSIONS: mm [INCHES]		CHK M FEHER 12/1/87												
TOLERANCES UNLESS OTHERWISE SPECIFIED:		APVD C MEYERS 12/1/87												
<table border="0"> <tr><td>0 PLC</td><td>± -</td></tr> <tr><td>1 PLC</td><td>± -</td></tr> <tr><td>2 PLC</td><td>± -</td></tr> <tr><td>3 PLC</td><td>± 0.25 [.010]</td></tr> <tr><td>4 PLC</td><td>± -</td></tr> <tr><td>ANGLES</td><td>± -</td></tr> </table>		0 PLC			± -	1 PLC	± -	2 PLC	± -	3 PLC	± 0.25 [.010]	4 PLC	± -	ANGLES
0 PLC	± -													
1 PLC	± -													
2 PLC	± -													
3 PLC	± 0.25 [.010]													
4 PLC	± -													
ANGLES	± -													
MATERIAL BRASS	FINISH -	APPLICATION SPEC	SIZE A3	CAGE CODE 00779	DRAWING NO C-63365	RESTRICTED TO -								
CUSTOMER DRAWING			SCALE 5:1	SHEET 1 OF 1	REV K1									

单击下面可查看定价，库存，交付和生命周期等信息

[>>TE Connectivity\(泰科\)](#)