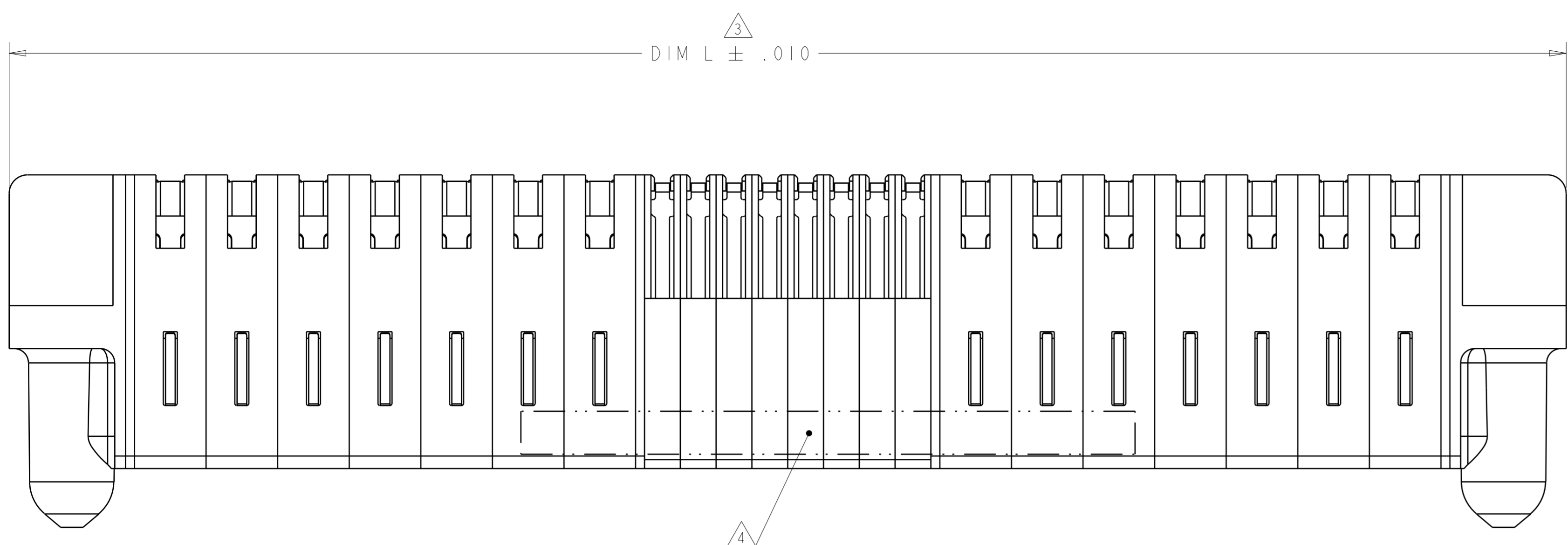
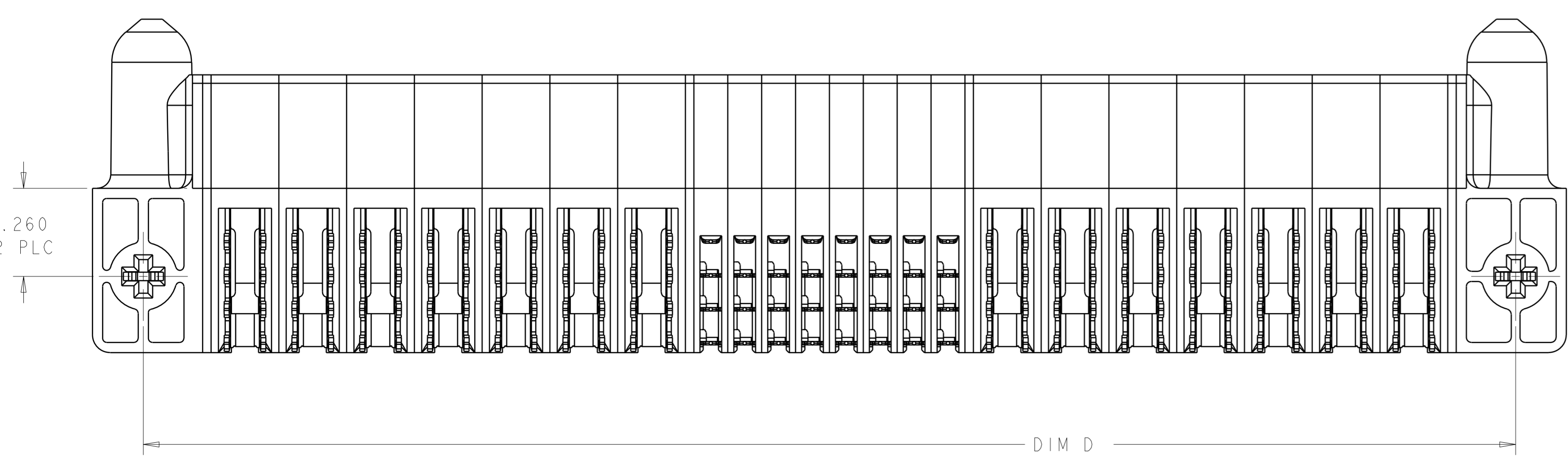
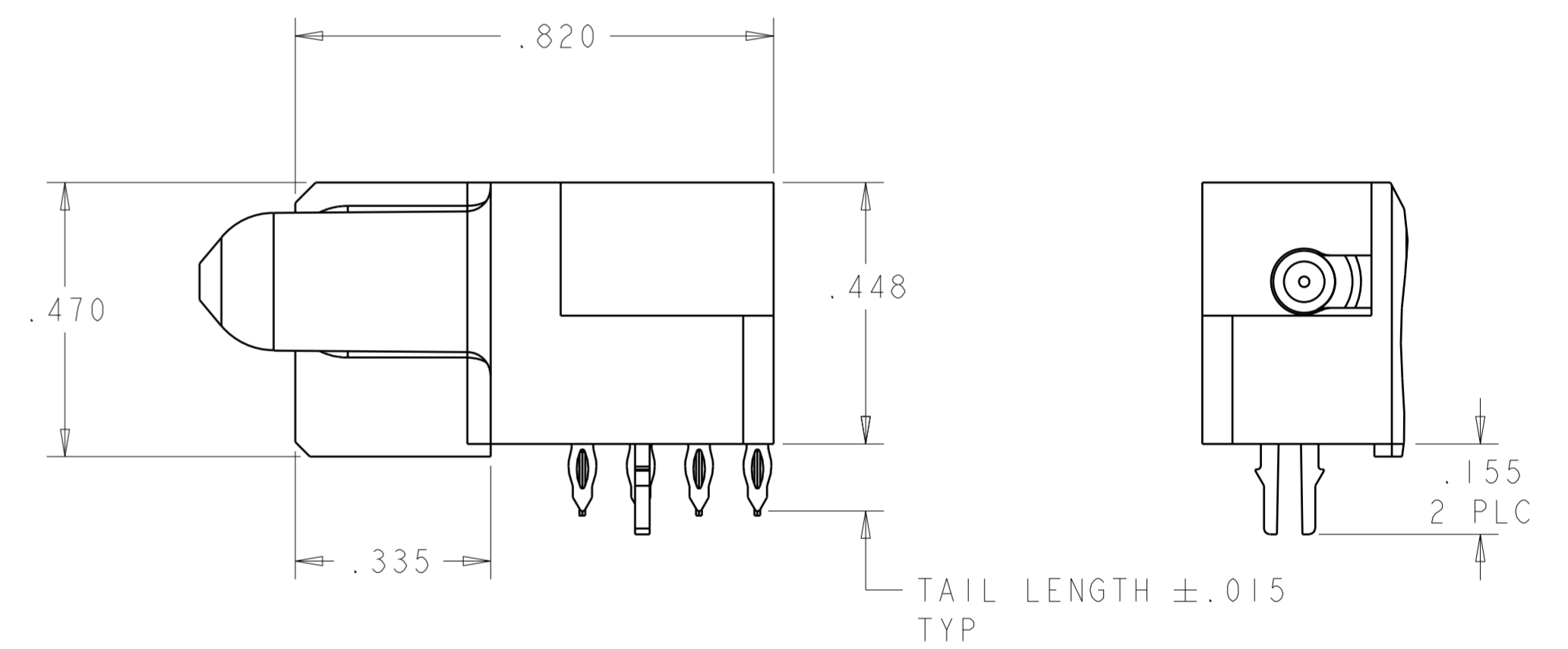
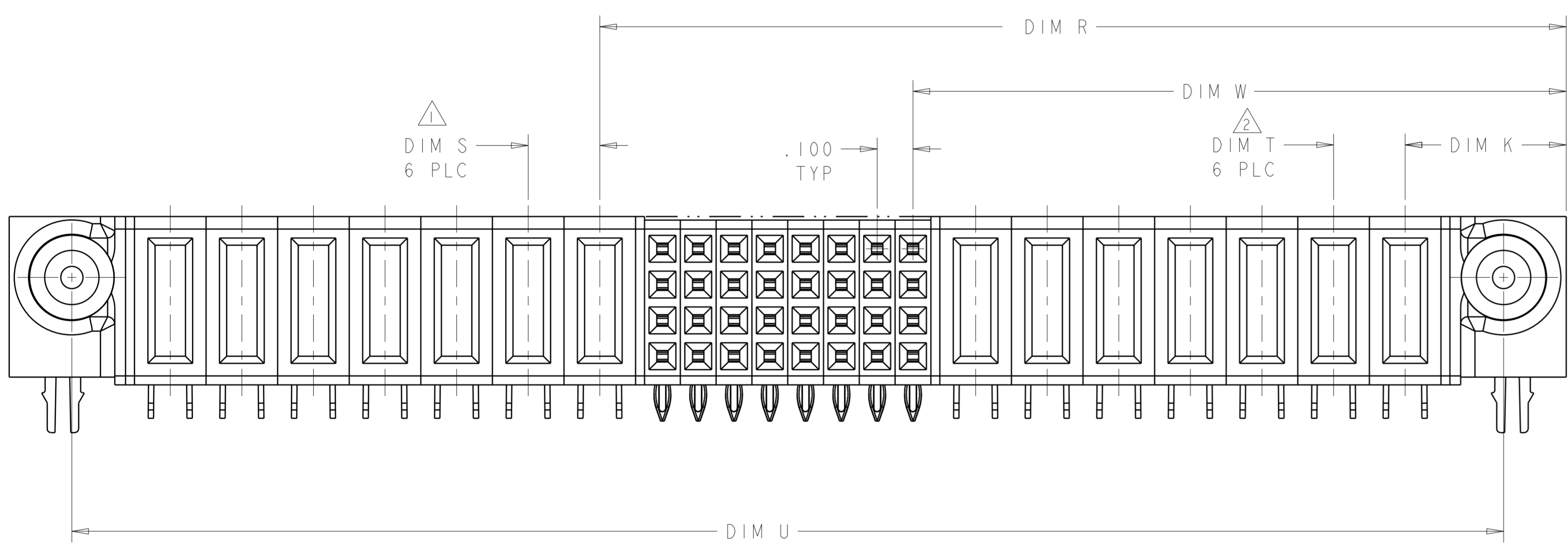


LOC		DIST		REVISIONS			
P	LTR	DESCRIPTION	DATE	DWN	APVD		
A		REV PER ECR-06-023720	11OCT2006	DZ	SY		



- △ DIM S IS CENTERLINE SPACING OF POWER MODULES ON LEFT SIDE OF HOUSING
- △ DIM T IS CENTERLINE SPACING OF POWER MODULES ON RIGHT SIDE OF HOUSING
- △ THE MAXIMUM OVERALL LENGTH (DIM L) OF A PART IS 8.00
- △ "AMP", PART NUMBER, AND DATE CODE TO BE MARKED IN AREA SHOWN  
PARTS UNDER 2.00 LONG MAY BE MARKED ON BOTH SIDES
- △ MATERIAL: HOUSING - GLASS FILLED HIGH TEMP THERMO PLASTIC, UV94 V-0  
SIGNAL CONTACT - HIGH CONDUCTIVITY COPPER ALLOY  
POWER CONTACT - HIGH CONDUCTIVITY COPPER-IRON ALLOY
- △ CONTACT PLATING: SIGNAL CONTACTS - .000050 MIN Ni UNDER ALL  
.000030 MIN Au ON CONTACT AREA  
.000100 Sn AT PCB INTERFACE  
POWER CONTACTS - .000050 Ni UNDER ALL  
.000030 MIN Au ON CONTACT AREA  
.000100 Sn AT PCB INTERFACE
- △ MECHANICAL CONNECTOR KEEP OUT ZONE
- △ DATUM AND BASIC DIMENSIONS ESTABLISHED BY CUSTOMER
- △ PCB - ALL HOLE DIAMETERS ARE FINISHED HOLE SIZES
- △ PCB - .0453 ± .0010 DRILLED HOLE PLATED WITH .0003 MIN Sn  
OVER .001 TO .003 PLATING TO ACHIEVE A .040 HOLE
- △ POWER CONTACT AREA LUBRICATED WITH LUBRICANT.

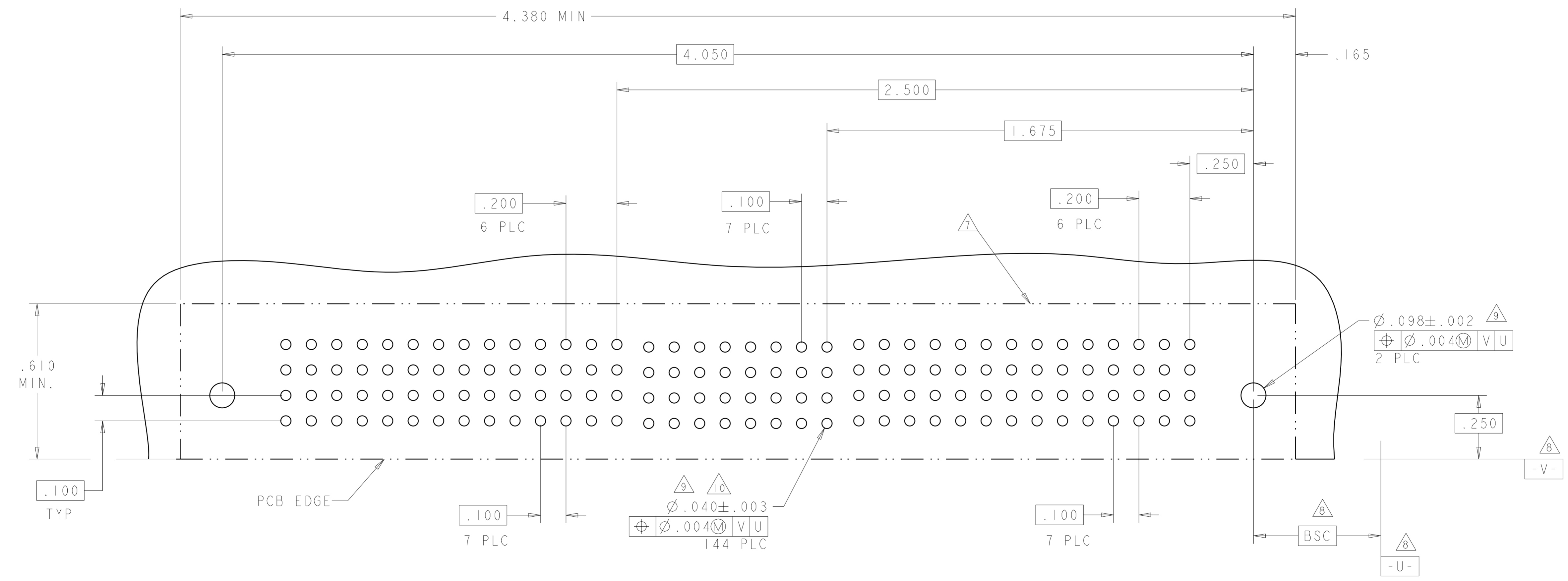


.450	1.825	.200	.200	2.700	4.050	4.000	4.350	7HDP + 32S + 7HDP	1892530-1
DIM K	DIM W	DIM T	DIM S	DIM R	DIM D	DIM U	DIM L	DESCRIPTION	PART NUMBER

DIMENSIONS:		TOLERANCES UNLESS OTHERWISE SPECIFIED:		DRAWN: DENNY ZHU		11OCT2006		Tyco Electronics	
INCHES				CHK: SUNY ZHAO		11OCT2006		Shanghai, P.R.China.200233	
0 PLC ±.1		1 PLC ±.1		APVD: S. YAO				NAME: RIGHT ANGLE RECEPTACLE ASSEMBLY	
2 PLC ±.01		3 PLC ±.005		PRODUCT SPEC: 108-1973				MULTI-BEAM XL, PWR-SIG-PWR, W/GUIDES	
4 PLC ±.0020		ANGLES: ±30°		APPLICATION SPEC: 114-13038				PRESS FIT LEGS	
FINISH: △5		FINISH: △6		MATERIAL: △5		WEIGHT: -		SIZE: A   00779   C=1892530	
CUSTOMER DRAWING		SCALE: 4:1		SHEET: 1		OF: 2		REV: A	

LOC		DIST		REVISIONS			
ES	00	PT	LTR	DESCRIPTION	DATE	DWN	APVD
				SEE SHEET J			

PART NUMBER	ROWS	POWER							SIGNAL								POWER						
		P14	P13	P12	P11	P10	P9	P8	8	7	6	5	4	3	2	1	P7	P6	P5	P4	P3	P2	P1
1892530-1	D C B A	RK	RK	RK	RK	RK	RK	RK	DD	DD	DD	DD	DD	DD	DD	DD	RK	RK	RK	RK	RK	RK	RK
								CC	CC	CC	CC	CC	CC	CC	CC								
								BB	BB	BB	BB	BB	BB	BB	BB								
								AA	AA	AA	AA	AA	AA	AA	AA								
7HDP + 32S + 7HDP																							



CODE	DESCRIPTION	TAIL LENGTH
DD	SIGNAL CONTACT, R/A HDR, STD, ROW D	.165
CC	SIGNAL CONTACT, R/A HDR, STD, ROW C	.165
BB	SIGNAL CONTACT, R/A HDR, STD, ROW B	.165
AA	SIGNAL CONTACT, R/A HDR, STD, ROW A	.165
RL	POWER CONTACT, R/A HDR, MLBF	.165
RK	POWER CONTACT, R/A HDR, STD	.165

CONTACT TABLE

DIMENSIONS:		TOLERANCES UNLESS OTHERWISE SPECIFIED:		DWN DENNY ZHU 11OCT2006		SUNY ZHAO 11OCT2006		TYCO Electronics	
0 PLC	±.1	0.040 ± 0.003	±.003	0.098 ± 0.002	±.002	Tyco Electronics Shanghai, P.R.China, 200233			
1 PLC	±.1	∅.004 (M) V U		∅.004 (M) V U		NAME: S. YAO			
2 PLC	±.01	∅.004 (M) V U		∅.004 (M) V U		PRODUCT SPEC: MULTI-BEAM XL, PWR-SIG-PWR, W/GUIDES			
3 PLC	±.005	∅.004 (M) V U		∅.004 (M) V U		APPLICATION SPEC: PRESS FIT LEGS			
4 PLC	±.0020	∅.004 (M) V U		∅.004 (M) V U		SIZE: A1		CASE CODE: 00779	
ANGLES:	±0° 30'	∅.004 (M) V U		∅.004 (M) V U		DRAWING NO: C-1892530		RESTRICTED TO:	
MATERIAL:		∅.004 (M) V U		∅.004 (M) V U		WEIGHT:		CUSTOMER DRAWING	
FINISH:		∅.004 (M) V U		∅.004 (M) V U		SCALE: 4:1		SHEET 2 OF 2	

单击下面可查看定价，库存，交付和生命周期等信息

[>>TE Connectivity\(泰科\)](#)