

THIS DRAWING IS UNPUBLISHED.

RELEASED FOR PUBLICATION

20

© COPYRIGHT 20

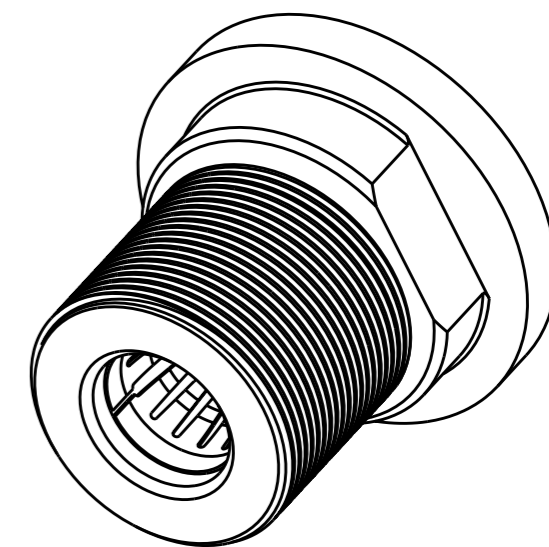
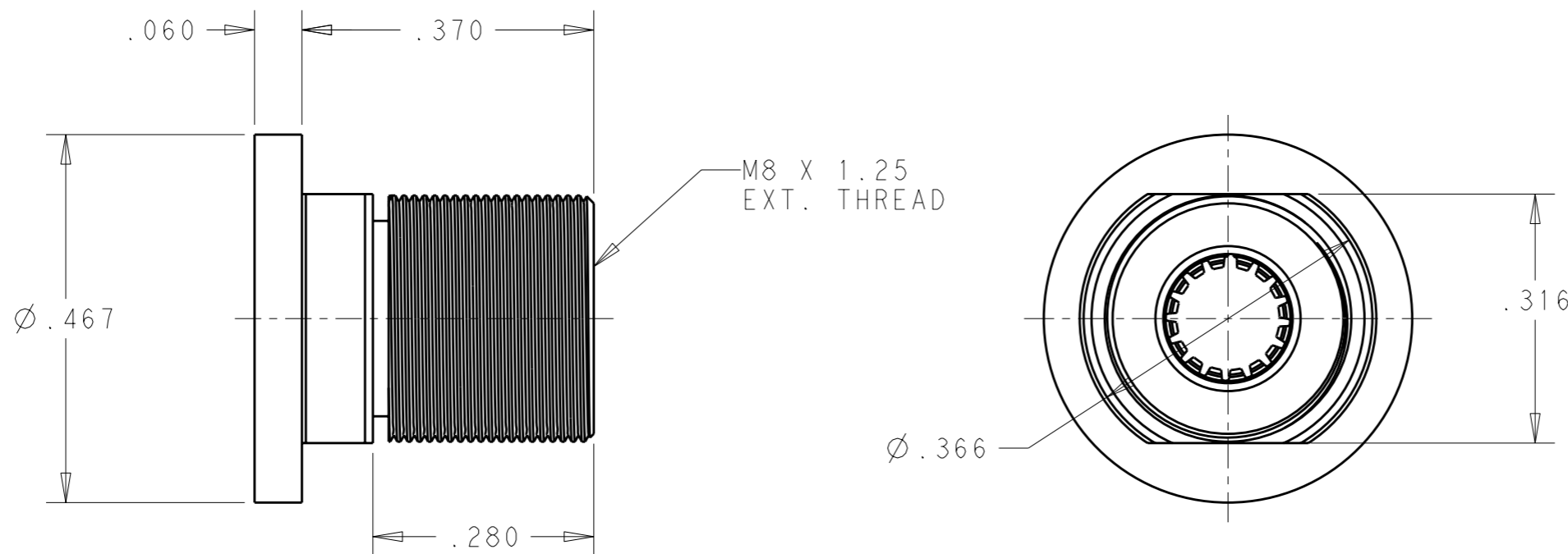
BY TYCO ELECTRONICS CORPORATION. ALL INTERNATIONAL RIGHTS RESERVED.

LOC
GP

DIST
00

REVISIONS

| P | LTR | DESCRIPTION | DATE | DWN | APVD |
|---|-----|-----------------------|-----------|-----|------|
| | B | REV PER ECO-10-018470 | 10SEP2010 | RG | DO |
| | | | | | |
| | | | | | |



1 MATERIAL:
 SOCKET BODY: COPPER ALLOY
 CROWN BAND: BERYLLIUM COPPER

2 FINISH:
 SOCKET BODY: SILVER PLATE .000200 MIN THK. OVER NICKEL .000050 MIN THK.
 CROWN BAND: GOLD PLATE .000030 MIN THK. OVER NICKEL .000050 MIN THK.

| | |
|-------------|-------------|
| AS SHOWN | 2085459-1 |
| DESCRIPTION | PART NUMBER |

| | | | | | | | |
|---|---|---|---|---------------------|-------------------------|--------------------|-------|
| <small>THIS DRAWING IS A CONTROLLED DOCUMENT FOR TYCO ELECTRONICS CORPORATION IT IS SUBJECT TO CHANGE AND THE CONTROLLING ENGINEERING ORGANIZATION SHOULD BE CONTACTED FOR THE LATEST REVISION.</small> | | DWN R.GRZYBOWSKI 28APR2010 CHK D.ORRIS 28APR2010 APVD M.PERCHEK 28APR2010 | Tyco Electronics Tyco Electronics Corporation Harrisburg, PA 17105-3608 | | | | |
| DIMENSIONS: INCHES | TOLERANCES UNLESS OTHERWISE SPECIFIED: 0 PLC ±- 1 PLC ±- 2 PLC ±.01 3 PLC ±.005 4 PLC ±-- ANGLES ±- | NAME SOCKET BODY SUB-ASSEMBLY CROWN INSERT PCB SOCKET | SIZE A3 | CAGE CODE 300779 | DRAWING NO C-2085459 | RESTRICTED TO - | |
| MATERIAL - | FINISH - | PRODUCT SPEC - | APPLICATION SPEC - | WEIGHT - | SCALE 5:1 | SHEET 1 OF 1 | REV B |
| CUSTOMER DRAWING | | | | | | | |

单击下面可查看定价，库存，交付和生命周期等信息

[>>TE Connectivity\(泰科\)](#)