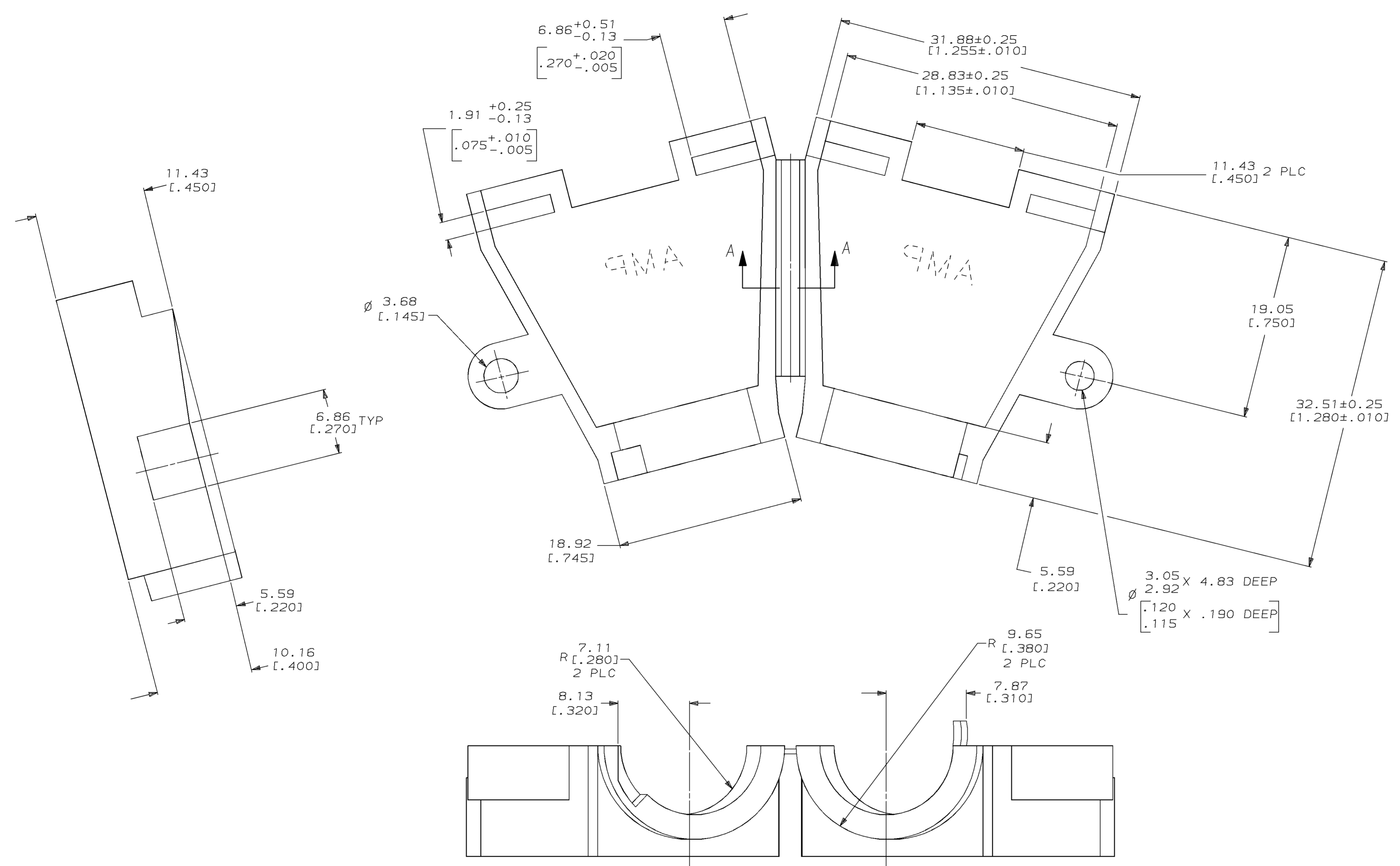
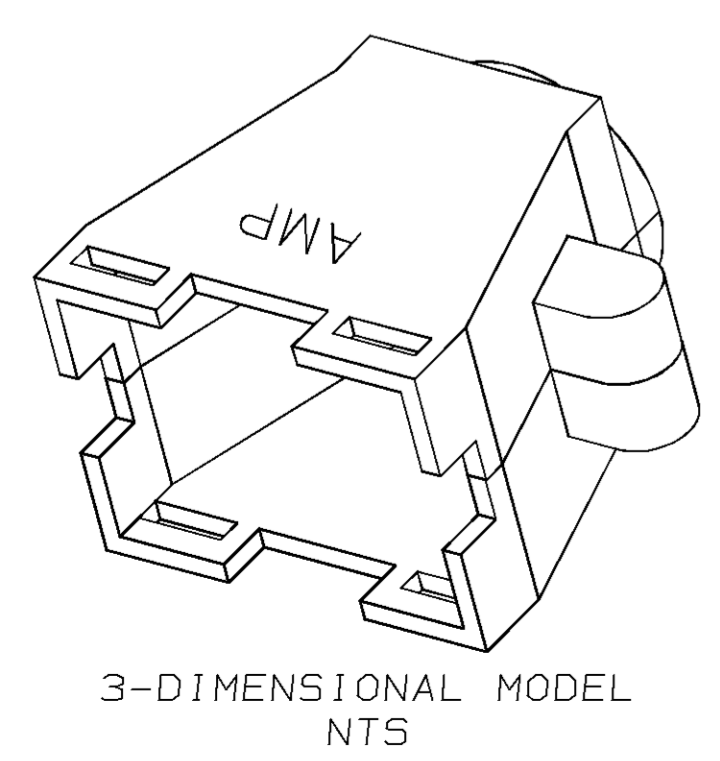
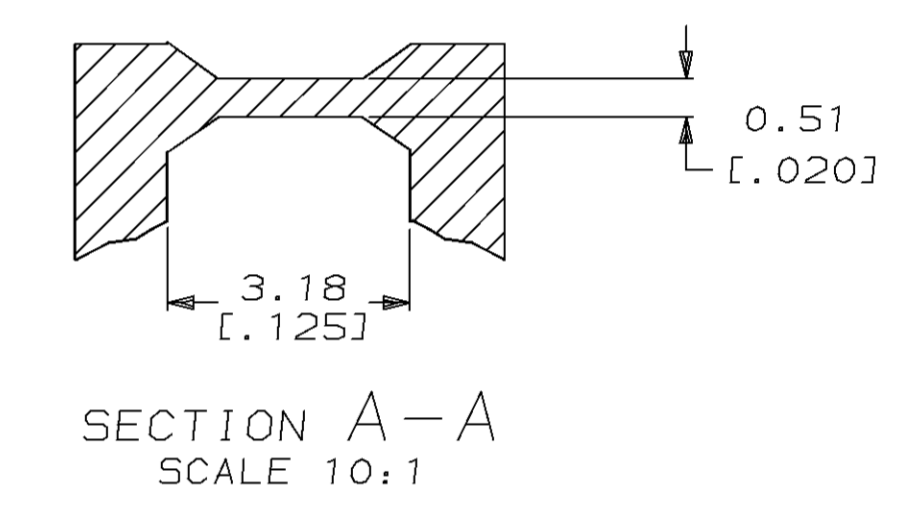


LOC		DIST		P		F		ZONE		LTR		REVISIONS			
CM	52											DESCRIPTION	DATE	APPD	
												H	REV & REDWN PER EC 0730-0072-94	9-17-93	KS



- REQUIRES A #6 PAN HEAD TYPE "B" SELF TAPPING PAN HEAD SCREW, 9.53 [.375] LONG.
- DIMENSIONS IN BRACKETS ARE IN INCHES.



BLACK	1-350524-9
BRICK RED	350524-1
COLOR	PART NO

DO NOT SCALE PRINT. UNLESS SPECIFIED DIMENSIONS IN mm [INCHES] TOLERANCES: ON + 2 PLC DEC ± 0.13 [.005] 3 PLC DEC ± - ANGLES ± -	DR 9-17-93 K. SALMON CHK 9-17-93 R. SWING	AMP Incorporated Harrisburg, PA 17105-3608		
MATERIAL NYLON	APPD - W. LONG APPD - W. LONG PRODUCT SPEC -	NAME STRAIN RELIEF, HINGED, 24 POSITION		
FINISH COLOR, SEE TABLE	APPLICATION SPEC -	SIZE D	CAGE CODE 00779	DRAWING NO ©-350524
	WEIGHT -	SCALE 4:1		SHEET 1 OF 1



THIS DRAWING IS A CONTROLLED DOCUMENT FOR AMP INCORPORATED. IT IS SUBJECT TO CHANGE AND THE CONTROLLING ENGINEERING ORGANIZATION SHOULD BE CONTACTED FOR THE LATEST REVISION.

单击下面可查看定价，库存，交付和生命周期等信息

[>>TE Connectivity\(泰科\)](#)