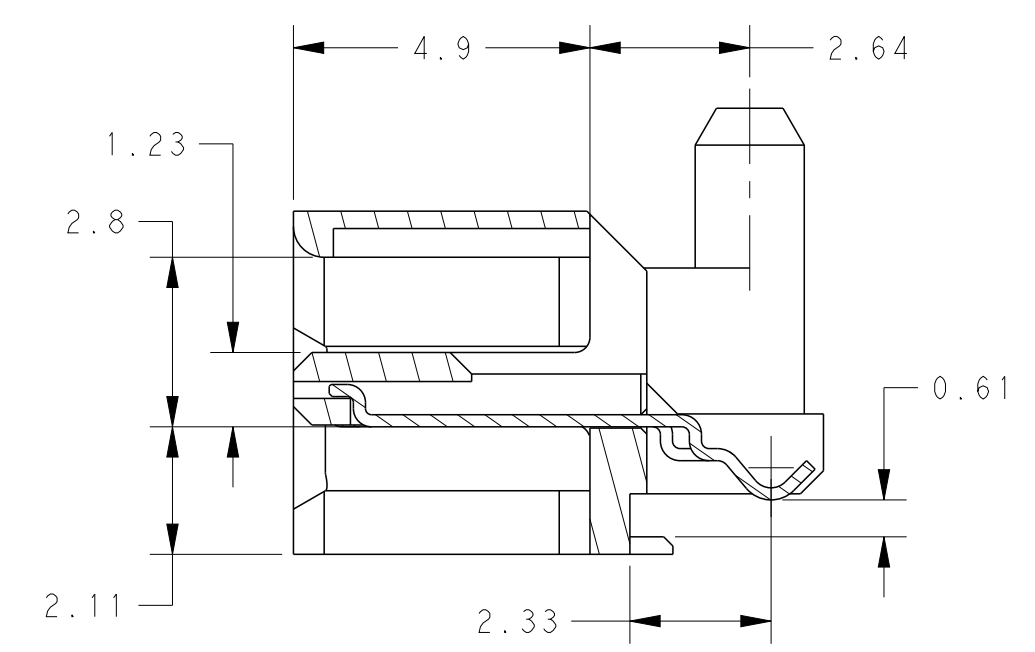
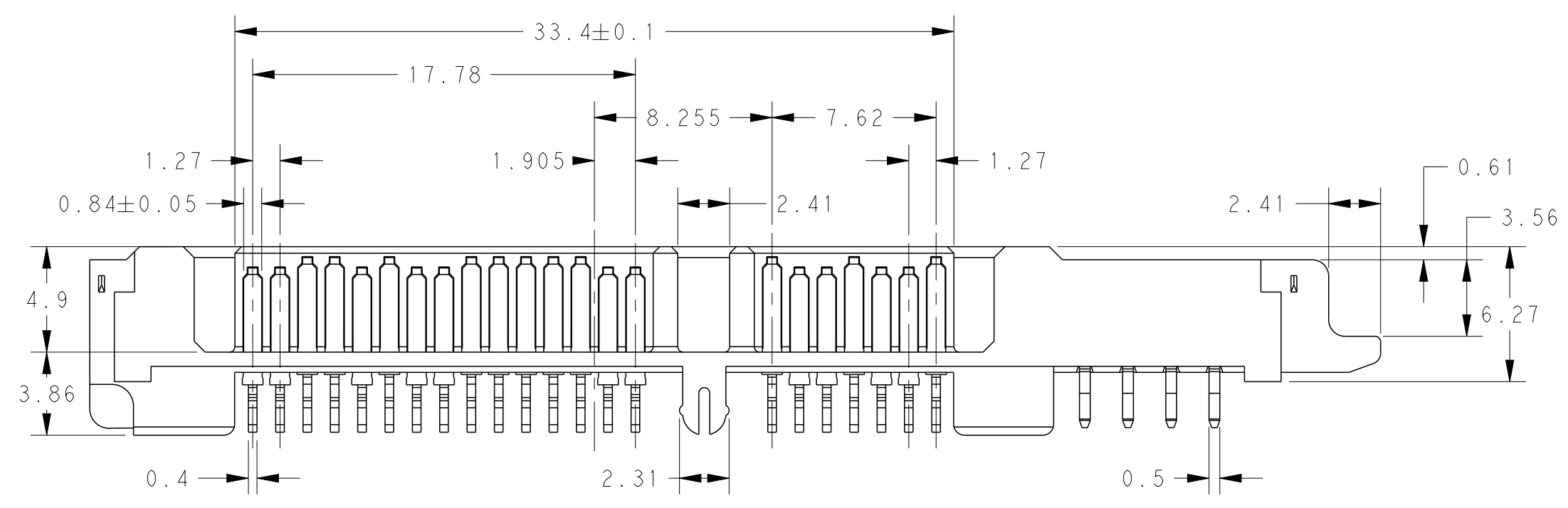
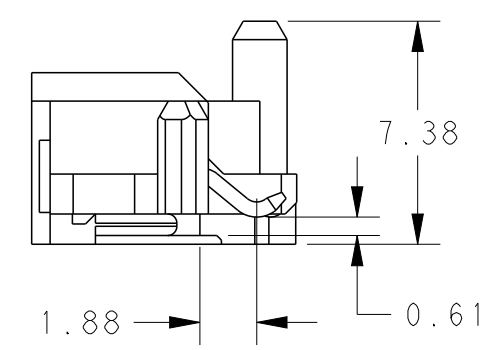
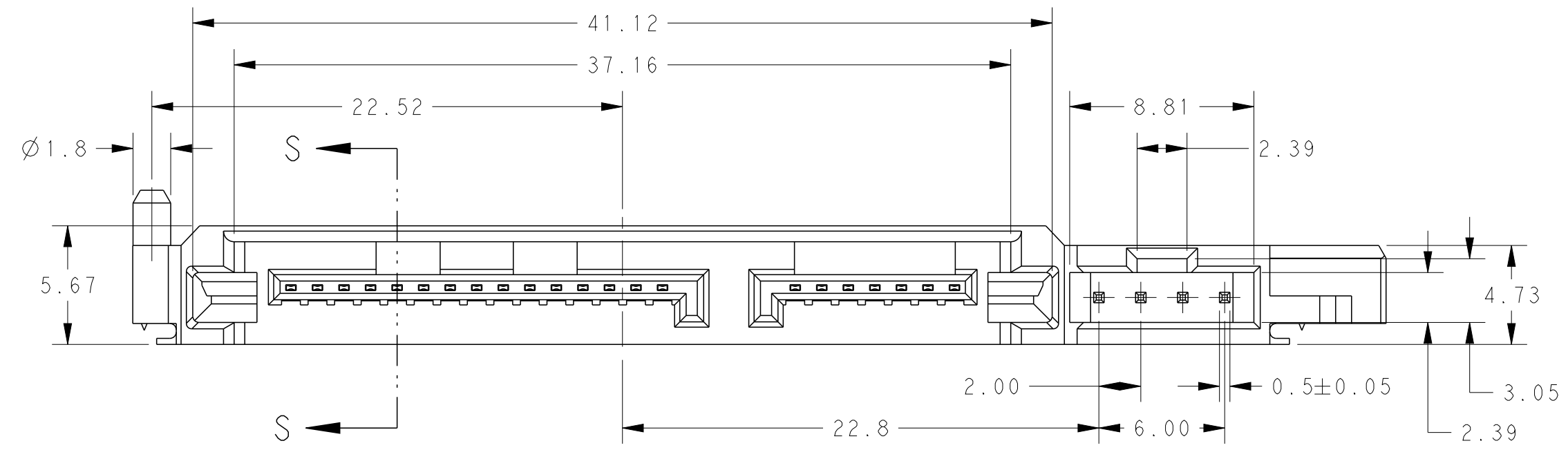
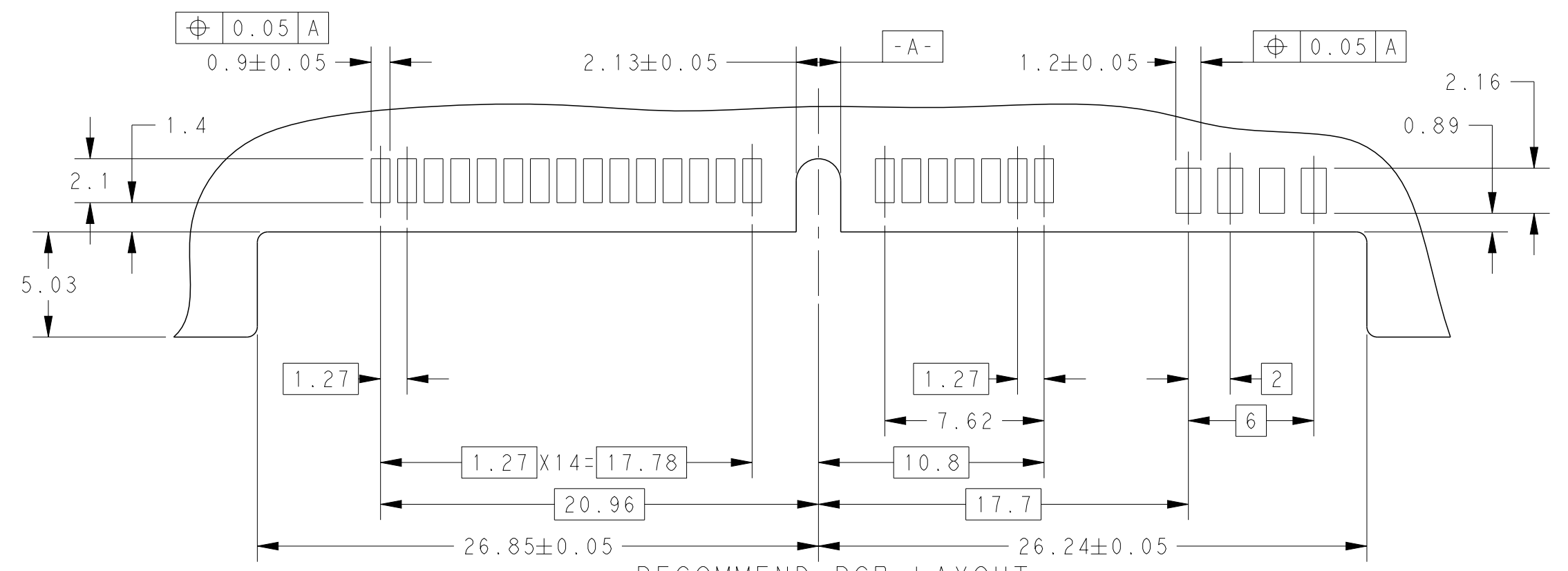
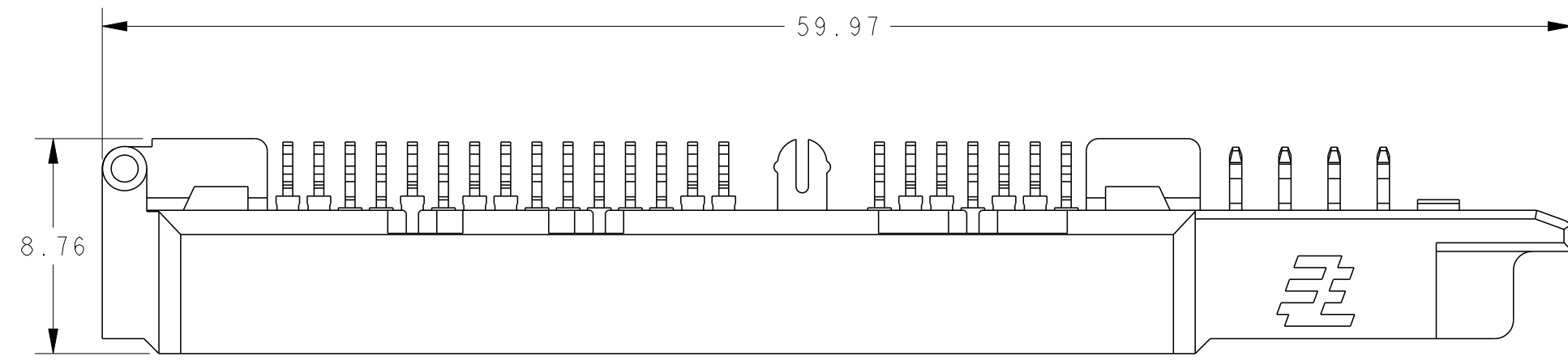


THIS DRAWING IS UNPUBLISHED. RELEASED FOR PUBLICATION 20
 © COPYRIGHT 20 BY - ALL RIGHTS RESERVED.

REVISIONS					
P	LTR	DESCRIPTION	DATE	DWN	APVD
G1		RELEASED	06FEB2014	W.C	V.P



SECTION S-S
SCALE 8:1

- NOTES:
- MATERIAL:
 HOUSING: HIGH TEMPERATURE THERMOPLASTIC GLASS FILLED, UL94V-0, BLACK
 CONTACT: COPPER ALLOY
 SQ CONTACT: COPPER ALLPY
 - FINISH:
 CONTACT:
 0.00038mm MIN. AU PLATING ON CONTACT AREA
 0.00191mm MIN. TIN PLATING ON SOLDERING AREA
 0.00127mm MIN. NICKEL UNDERPLATING ALL OVER.
 SQ CONTACT:
 0.00012mm MIN. AU PLATING ON CONTACT AREA
 0.00191mm MIN. TIN PLATING ON SOLDERING AREA
 0.00127mm MIN. NICKEL UNDERPLATING ALL OVER.

THIS DRAWING IS A CONTROLLED DOCUMENT.		DWN W. CHEN 06FEB2014	TE Connectivity		
DIMENSIONS: mm		CHK V. PENG 06FEB2014			
TOLERANCES UNLESS OTHERWISE SPECIFIED:		APVD V. PENG 06FEB2014	NAME CONNECTOR, 2.5", SATA PLUG 15+7+4P		
0 PLC ±0.25 1 PLC ±0.25 2 PLC ±0.25 3 PLC ±0.25 4 PLC ±0.25 ANGLES ±5 FINISH -		PRODUCT SPEC	SIZE A2	CAGE CODE -	DRAWING NO C-84998
MATERIAL		APPLICATION SPEC	RESTRICTED TO	SCALE 4:1	SHEET 1 OF 1
		WEIGHT	CUSTOMER DRAWING	REV G1	

单击下面可查看定价，库存，交付和生命周期等信息

[>>TE Connectivity\(泰科\)](#)