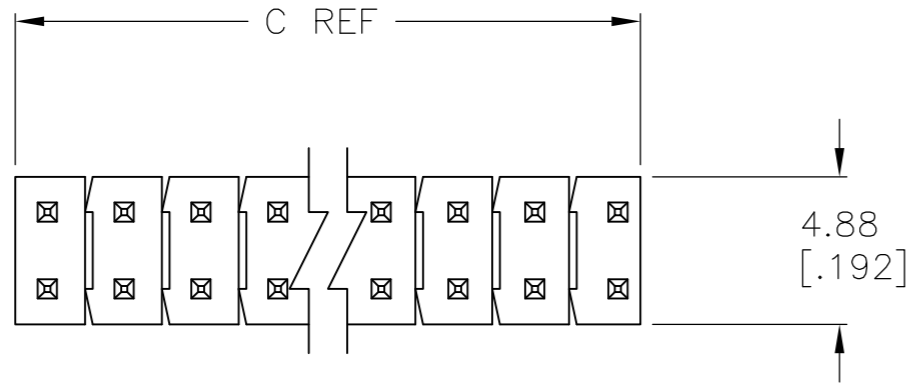
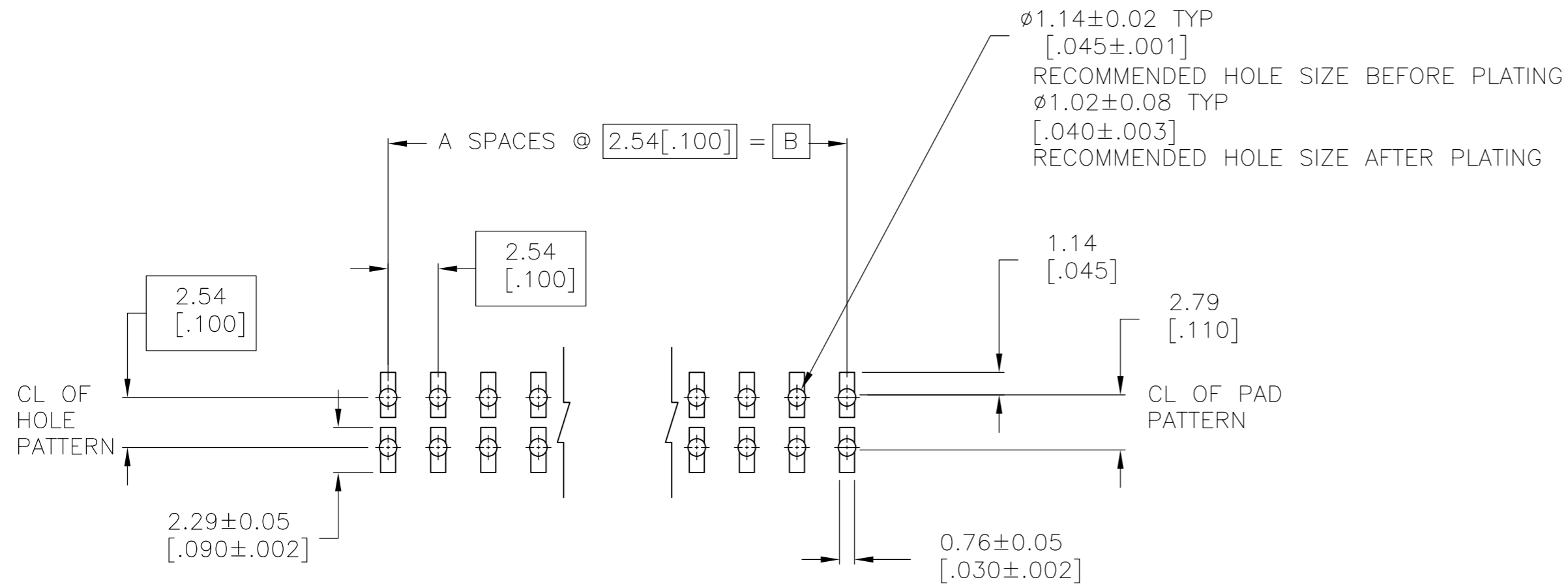
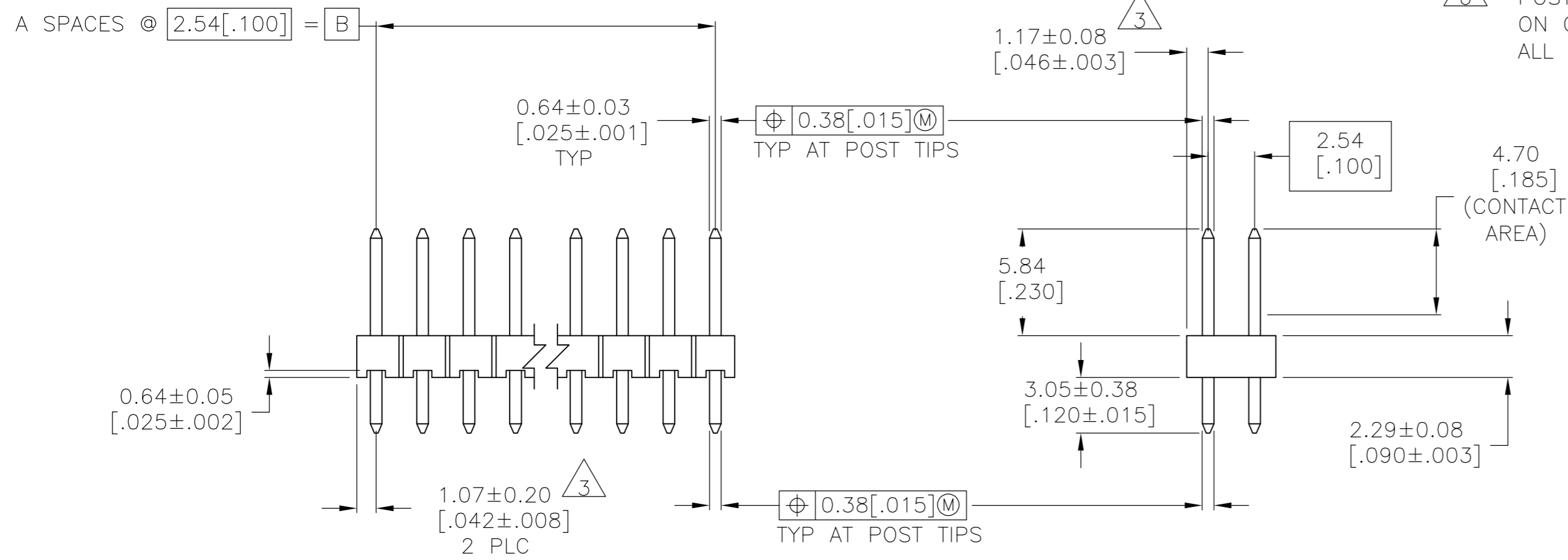


THIS DRAWING IS UNPUBLISHED. RELEASED FOR PUBLICATION. ALL RIGHTS RESERVED.

LOC		DIST		REVISIONS			
AD	00	P	LTR	DESCRIPTION	DATE	DWN	APVD
		C		REVISED PER ECO-14-006554	08MAY2014	NK	MM



- 1 ASSEMBLY MAY BE BROKEN TO THE DESIRED NUMBER OF POSITIONS.
- 2 TRUE POSITION TOLERANCE OF THE POST TIPS APPLIES WHEN THE HEADER IS HELD FLAT AGAINST THE PRINTED CIRCUIT BOARD.
- 3 THE NOTED DIMENSIONS APPLY AT THE INTERSECTION OF THE POST AND HOUSING.
- 4 HOUSING: LCP, COLOR-BLACK.
- 5 POST: PHOSPHOR BRONZE.
- 6 POST PLATING: 0.000076[.000003] MIN GOLD OVER 0.00068[.000027] Pd/Ni ON CONTACT AREA, 0.00254-0.00508[.000100-.000200] MATTE TIN ON SOLDERTAIL, ALL OVER 0.00127[.000050] NICKEL.



RECOMMENDED PC BOARD MOUNTING DIMENSIONS FOR 1.60 [.063] THICK PC BOARD AND 0.305 [.0120] STENCIL THICK.

6	101.19 [3.984]	99.06 [3.900]	39	80	8-1977946-0
6	-	-	0	2	1977946-2
PLATING	C	B	A	NO. OF POSITIONS	PART NUMBER

THIS DRAWING IS A CONTROLLED DOCUMENT.		DWN	KIRAN HOLAL	30AUG2013	 TE Connectivity
DIMENSIONS: mm [INCHES]		CHK	MIKE MILLER	30AUG2013	
TOLERANCES UNLESS OTHERWISE SPECIFIED:		APVD	MIKE MILLER	30AUG2013	
0 PLC ± - 1 PLC ± - 2 PLC ± 0.51[.02] 3 PLC ± 0.127[.005] 4 PLC ± 0.0127[.0005] ANGLES ± -		PRODUCT SPEC	NAME		
MATERIAL		FINISH	SEE TABLE		APPLICATION SPEC
4 5		WEIGHT		-	SIZE
CUSTOMER DRAWING		SCALE		4:1	SHEET
		CAGE CODE		A2 00779	DRAWING NO
		RESTRICTED TO		-	REV
				C=1977946	C

单击下面可查看定价，库存，交付和生命周期等信息

[>>TE Connectivity\(泰科\)](#)