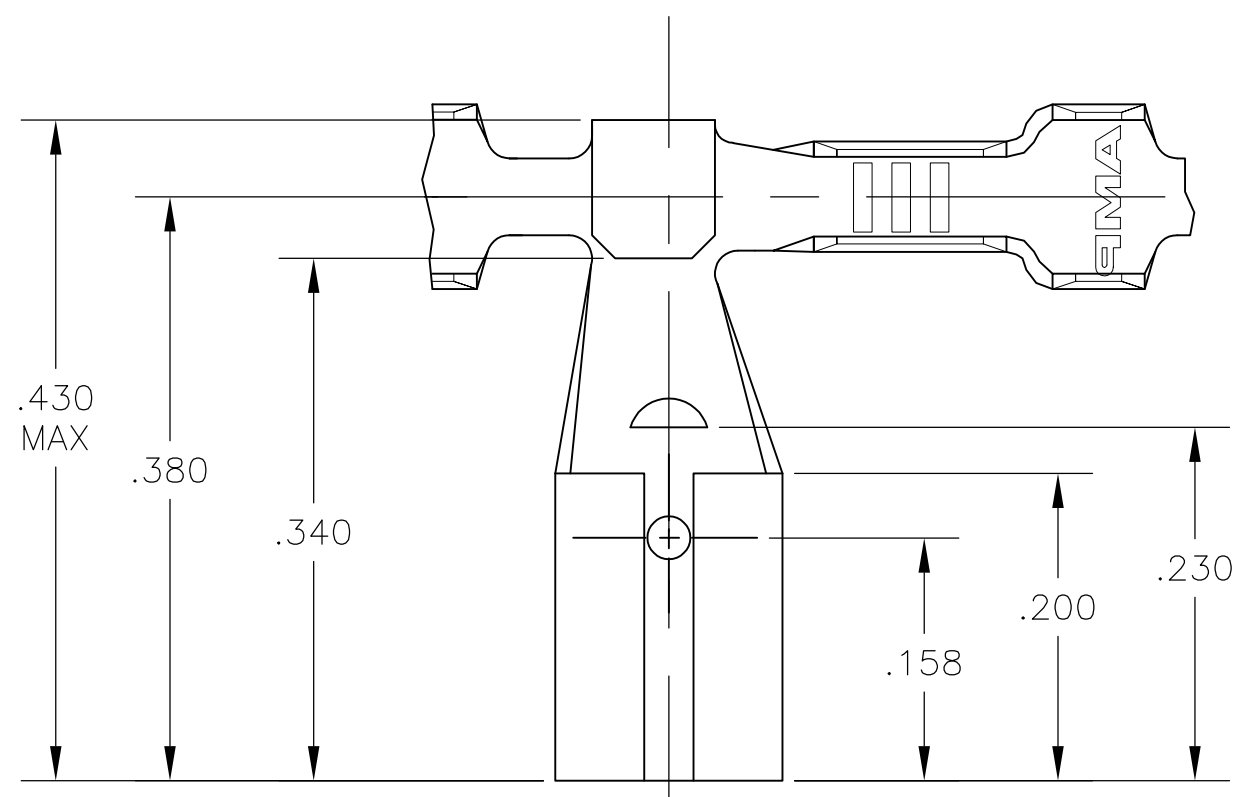
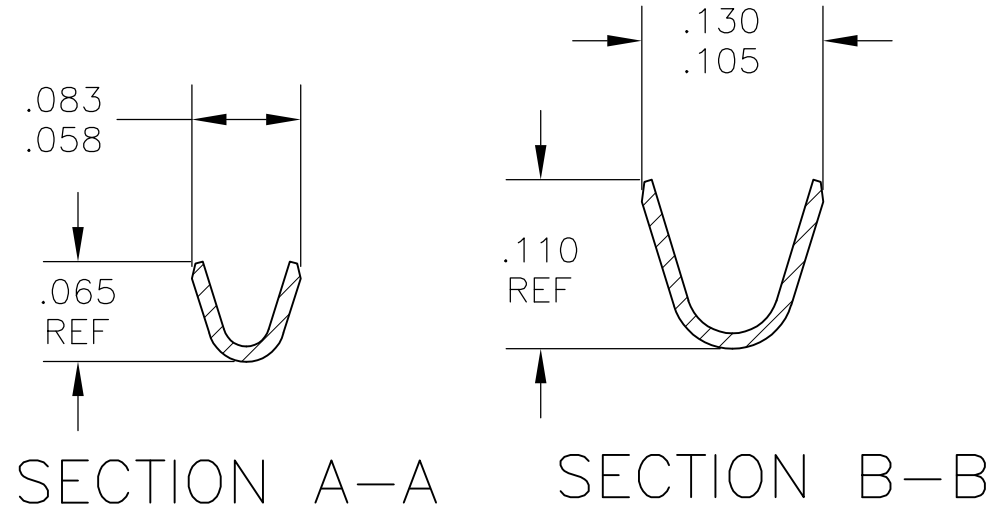
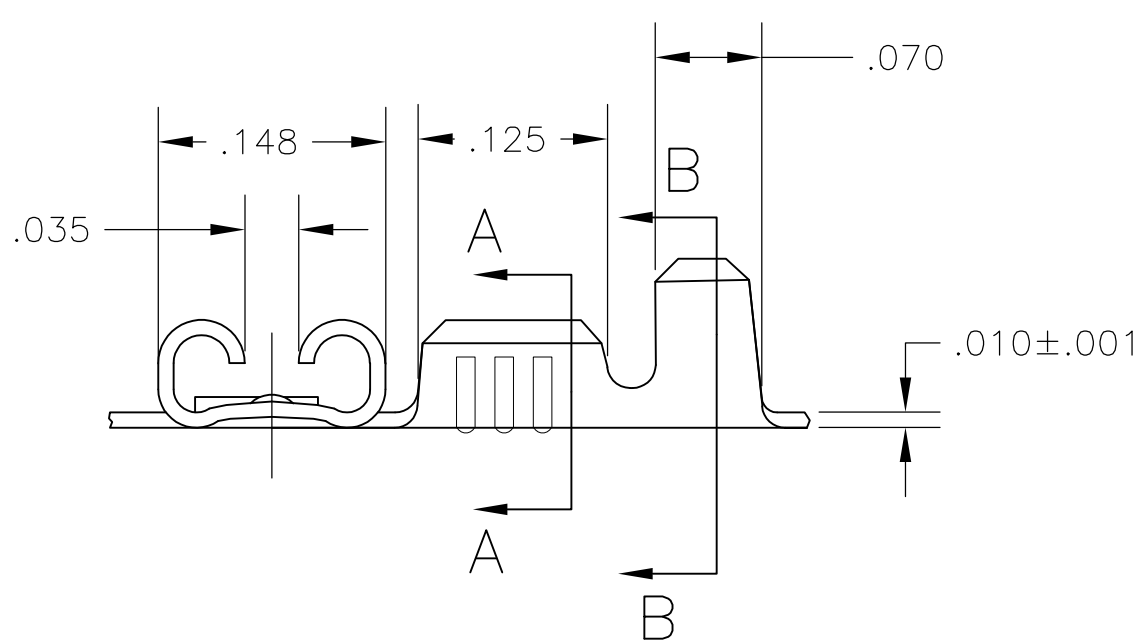


THIS DRAWING IS UNPUBLISHED. RELEASED FOR PUBLICATION
 © COPYRIGHT - By - ALL RIGHTS RESERVED.

LOC	DIST	REVISIONS			
P	LTR	DESCRIPTION	DATE	DWN	APVD
AF	50	B	REVISED PER ECR-12-013518	26NOV2012	KH PD



- 1 CONTINUOUS STRIP ON REELS
- 2 WIRE SIZE IS #26-#22 AWG
- 3 INSULATION RANGE IS .040-.080 DIA
- 4 MATING TAB THK IS .020±.001



1742219-1
PART NO

THIS DRAWING IS A CONTROLLED DOCUMENT.		DWN jr_ruth 15DEC04	TE Connectivity		
DIMENSIONS: INCHES 		CHK P_DESANTIS 15DEC04			
TOLERANCES UNLESS OTHERWISE SPECIFIED: 0 PLC ± - 1 PLC ± - 2 PLC ± - 3 PLC ± .010 4 PLC ± - ANGLES ± 5°		APVD P_DESANTIS 15DEC04	NAME RECEPTACLE, FASTON, FLAG .110 SERIES		
MATERIAL BRASS		FINISH PRE-TIN	PRODUCT SPEC -	APPLICATION SPEC -	RESTRICTED TO -
		WEIGHT -	SIZE A3	CAGE CODE 00779	DRAWING NO C-1742219
CUSTOMER DRAWING			SCALE 8:1	SHEET 1 OF 1	REV B

单击下面可查看定价，库存，交付和生命周期等信息

[>>TE Connectivity\(泰科\)](#)