

THIS DRAWING IS UNPUBLISHED.

RELEASED FOR PUBLICATION

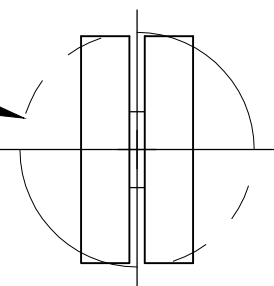
REVISIONS

© COPYRIGHT - TE Connectivity

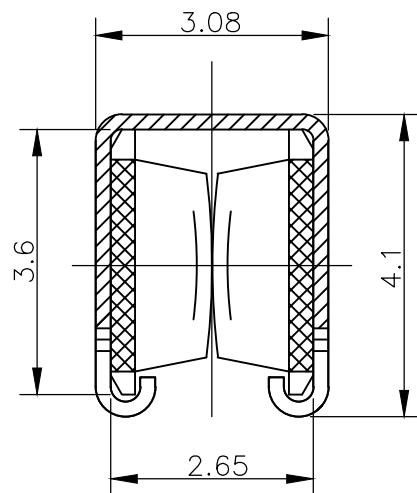
ALL RIGHTS RESERVED.

P	LTR	DESCRIPTION	DATE	DWN	APVD
	J1	REVISED(ECR-20-001428)	30JAN2020	MJ	YJ

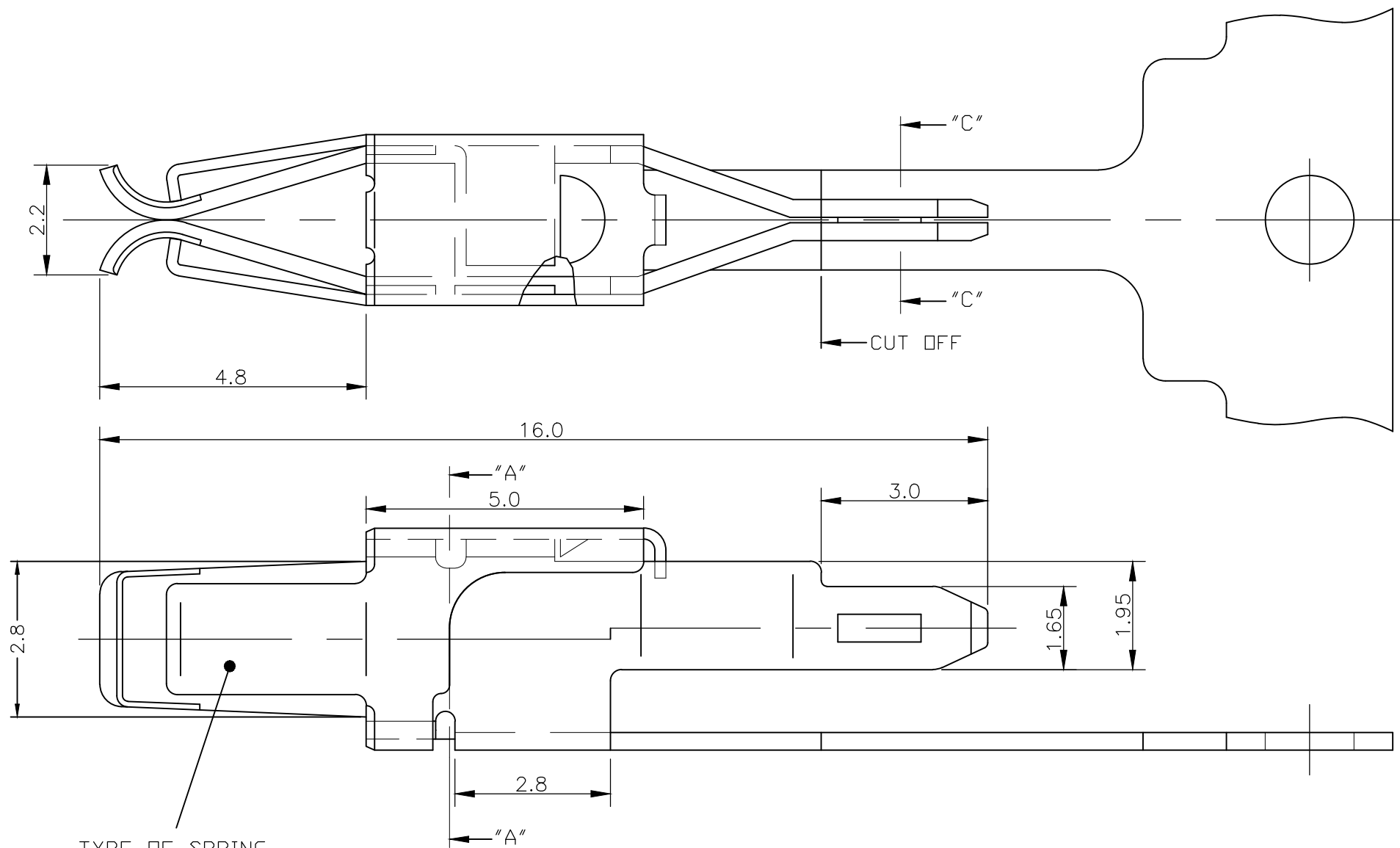
∅1.55<sup>+0.03</sup>/<sub>-0.05</sub>  
(P.C.B)



SECTION "C-C"  
SCALE = 20:1



SECTION "A-A"

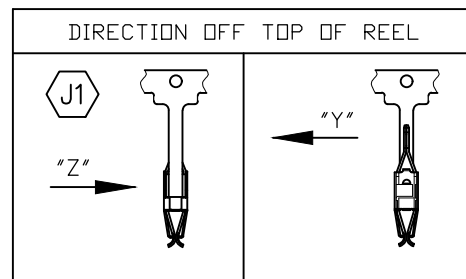


TYPE OF SPRING

NOTE

- TOLERANCES UNLESS OTHER WISE SPECIFIED

DIM.	TOL.
0 < XX < 10	± 0.2
10 ≤ XX < 30	± 0.25
30 ≤ XX < 100	± 0.3
ANGLES	± 3°



PRE-TINNED	MAKE FROM 368067-2	4-368067-1	"Z"	CONTI' CHINA
PRE-TINNED	MAKE FROM 368067-2	3-368067-2	-	LOOSE PIECE
PRE-TINNED	CuNiSi 0.32Thk	2-368067-1	"Y"	LOCAL ONLY
PRE-TINNED	CuNiSi 0.32Thk	368067-3	"Z"	EXPORT ONLY
PRE-TINNED	CuNiSi 0.32Thk	1-368067-2	"Y"	-
PRE-TINNED	CuNiSi 0.32Thk	368067-2	"Z"	PAPER REEL
FINISH	MATERIAL	P/N	REEL DIRECTION	REMARKS

THIS DRAWING IS A CONTROLLED DOCUMENT.

DIMENSIONS: mm

TOLERANCES UNLESS OTHERWISE SPECIFIED:

0 PLC	± -
1 PLC	± -
2 PLC	± -
3 PLC	± -
4 PLC	± -
ANGLES	± -
FINISH	± -

MATERIAL: SEE TABLE

FINISH: SEE TABLE

APVD: MJ KWON 30JAN2020

CHK: JY KIM 30JAN2020

APVD: YJ YOUN 30JAN2020

PRODUCT SPEC: 108-61042

APPLICATION SPEC: -

WEIGHT: 0

CUSTOMER DRAWING

STE TE Connectivity

JPT TYPE MINI FUSE REC.  
CONTACT FOR P.C.B

SIZE: A3 CAGE CODE: 00779 DRAWING NO: C-368067 RESTRICTED TO: -

SCALE: 10:1 SHEET: 1 OF 1 REV: J1

单击下面可查看定价，库存，交付和生命周期等信息

[>>TE Connectivity\(泰科\)](#)