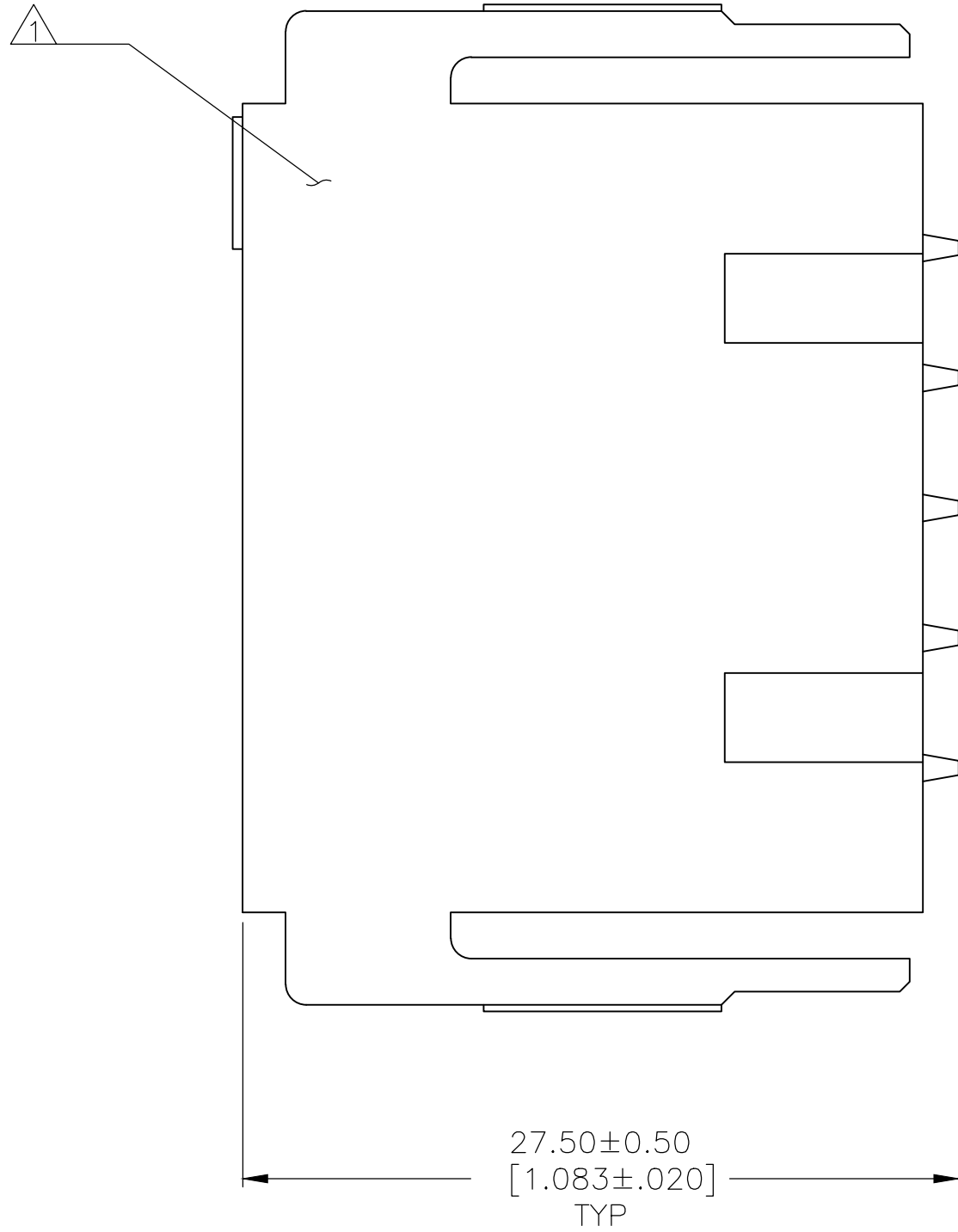
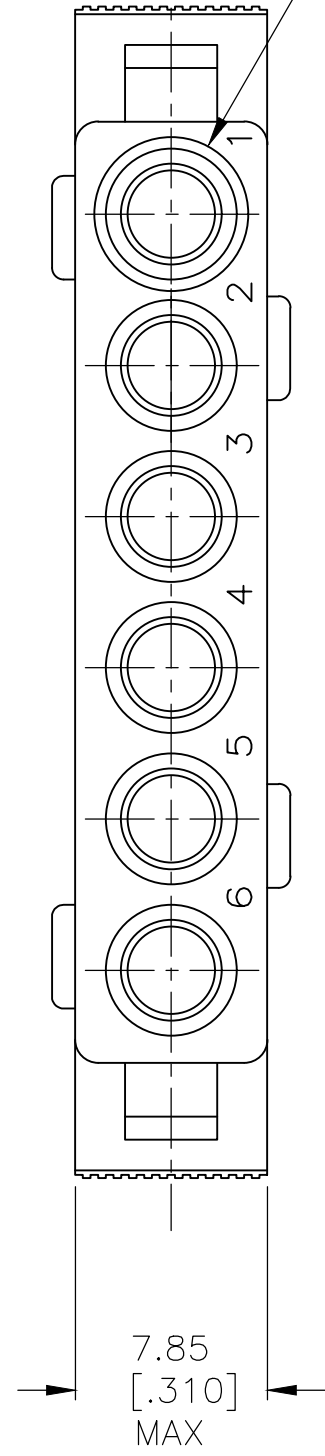


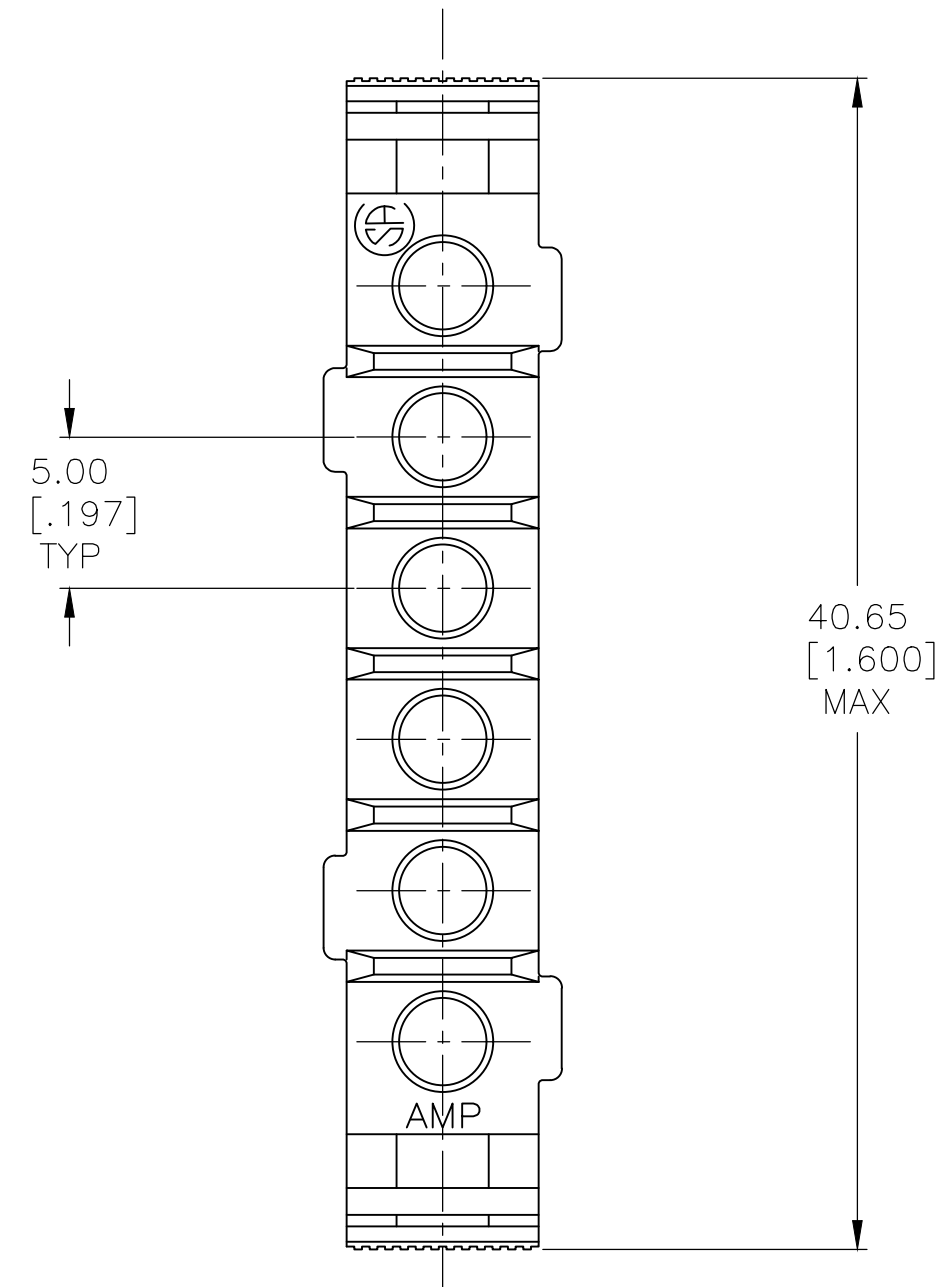
THIS DRAWING IS UNPUBLISHED. RELEASED FOR PUBLICATION  
 © COPYRIGHT - By - ALL RIGHTS RESERVED.

REVISIONS				
P	LTR	DESCRIPTION	DATE	APVD
F		REVISED PER ECO-20-001558	06FEB2020	SG MZ

RAISED CAVITY IDENTIFICATION ON REAR FACE ONLY.



- 1 WHITE DOT NEAR POSITION 1.
- 2 HOUSING MATERIAL: PA66, BLACK, UL 94 V-0 RATED



1	207377-2
	207377-1
PART NUMBER	

THIS DRAWING IS A CONTROLLED DOCUMENT.		DWN A.STAUB BG 8-14-91	<b>STE</b> TE Connectivity	
DIMENSIONS: mm [INCHES]		CHK -		
TOLERANCES UNLESS OTHERWISE SPECIFIED:		APVD -	NAME HOUSING, PLUG, 6 POSITION, IN-LINE, FREE HANGING, METRIMATE	
0 PLC ± -		PRODUCT SPEC -	SIZE A2	CAGE CODE 00779
1 PLC ± -		APPLICATION SPEC -	DRAWING NO C=207377	RESTRICTED TO -
2 PLC ± -		WEIGHT -	SCALE 4:1	SHEET 1 of 1
3 PLC ± 0.25[.010]		CUSTOMER DRAWING	REV F	
4 PLC ± -				
ANGLES ± -				
MATERIAL 2				
FINISH -				

单击下面可查看定价，库存，交付和生命周期等信息

[>>TE Connectivity\(泰科\)](#)