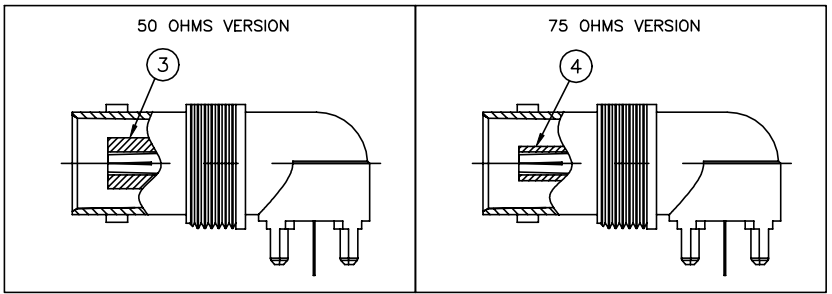
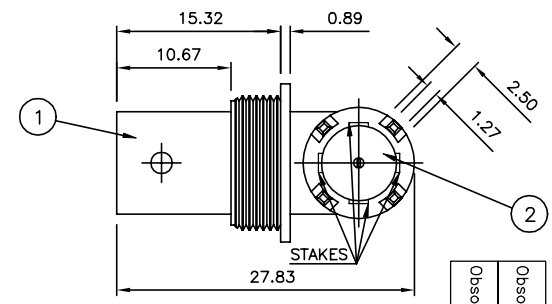
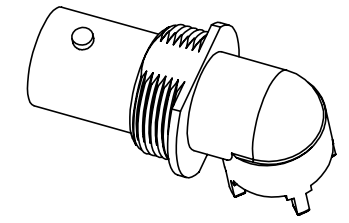
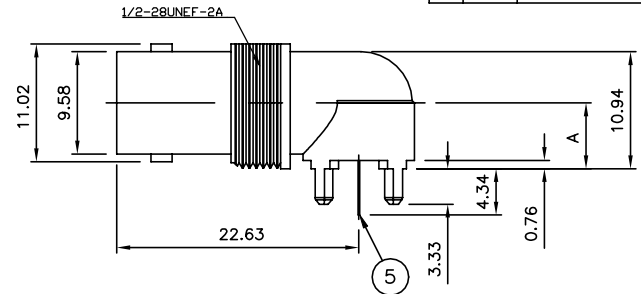
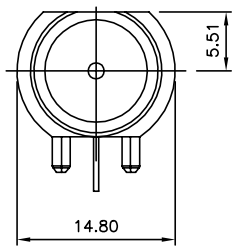


REVISIONS

P	LTR	DESCRIPTION	DATE	DWN	APVD
G2		REVISED PER ECR-20-003814	13MAR2020	RZ	RS

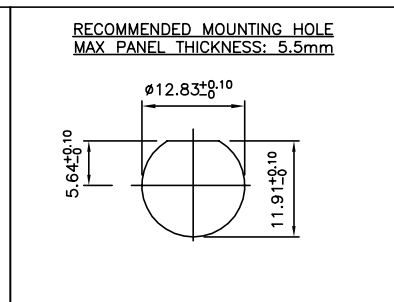
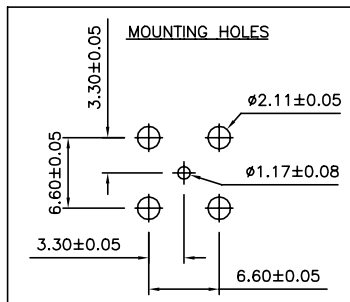
NOTES:

- 1 PACK IN ACCORDANCE WITH AMP SPEC 107-3275
- 2 100 TRAY PACK IN ACCORDANCE WITH AMP SPEC 107-3275
- 3 Au PLATING
- 4 Ni PLATING
- 5 FOR TECHNICAL DATA REFER TO YOUR LOCAL TE CONNECTIVITY SALES OFFICE
- 6 ALL DIMENSIONS ARE NOMINAL FOR REFERENCE ONLY UNLESS OTHERWISE STATED



QUANTITY PER ASSY		PARTS LIST								
1	1	1	1	PHOSPHER BRONZE	CONTACT	5				
1	1	1	1	TPX	INSULATION	4				
1	1	1	1	TPX	INSULATION	3				
1	1	1	1	PTFE	INSULATION	2				
1	1	1	1	ZINC ALLOY	BODY	1				
5--7	5--6	5--5	5--4	5--3	5--2	5--1	5--0	MATERIAL	DESCRIPTION	ITEM

6.91	BNC LP ELBOW BULKHEAD PCB SKT 75 OHMS 6.91 BULK	5-1634556-7
Obsolete	6.91 BNC LP ELBOW BULKHEAD PCB SKT 75 OHMS 6.91	5-1634556-6
Obsolete	6.91 BNC LP ELBOW BULKHEAD PCB SKT 50 OHMS 6.91 BULK	5-1634556-5
6.91	BNC LP ELBOW BULKHEAD PCB SKT 50 OHMS 6.91	5-1634556-4
Obsolete	6.15 BNC LP ELBOW BULKHEAD PCB SKT 75 OHMS 6.15 BULK	5-1634556-3
Obsolete	6.15 BNC LP ELBOW BULKHEAD PCB SKT 75 OHMS 6.15	5-1634556-2
6.15	BNC LP ELBOW BULKHEAD PCB SKT 50 OHMS 6.15 BULK	5-1634556-1
6.15	BNC LP ELBOW BULKHEAD PCB SKT 50 OHMS 6.15	5-1634556-0
A	DESCRIPTION	PART NUMBER
DIM		



THIS DRAWING IS A CONTROLLED DOCUMENT.

DIMENSIONS: mm	TOLERANCES UNLESS OTHERWISE SPECIFIED:	DWN RITA ZUO 10 Mar 09	 TE Connectivity		
	0 PLC ± 0.5	CHK ANSON MA 10 Mar 09			
	1 PLC ± 0.3	APVD BOB ZHAO 10 Mar 09			
	2 PLC ± 0.2	PRODUCT SPEC 108-112000			
MATERIAL	FINISH	APPLICATION SPEC	NAME BNC LP ELBOW BULKHEAD PCB SKT 50 & 75 OHMS		
		SIZE	CAGE CODE	DRAWING NO	RESTRICTED TO
		WEIGHT 0.000000	A3	00779	C-1634556
CUSTOMER DRAWING			SCALE NTS	SHEET 1 of 1	REV G2

单击下面可查看定价，库存，交付和生命周期等信息

[>>TE Connectivity\(泰科\)](#)