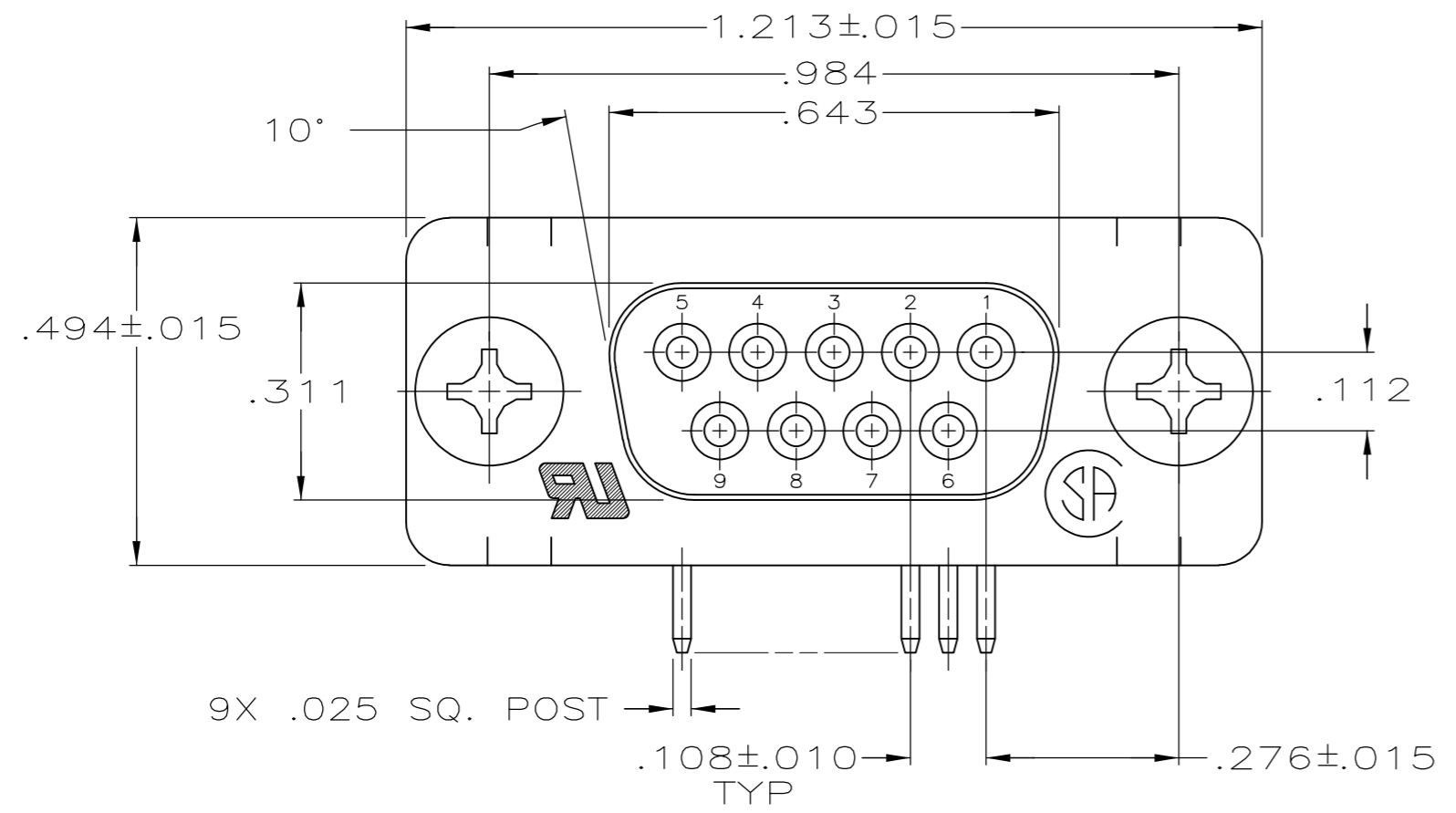
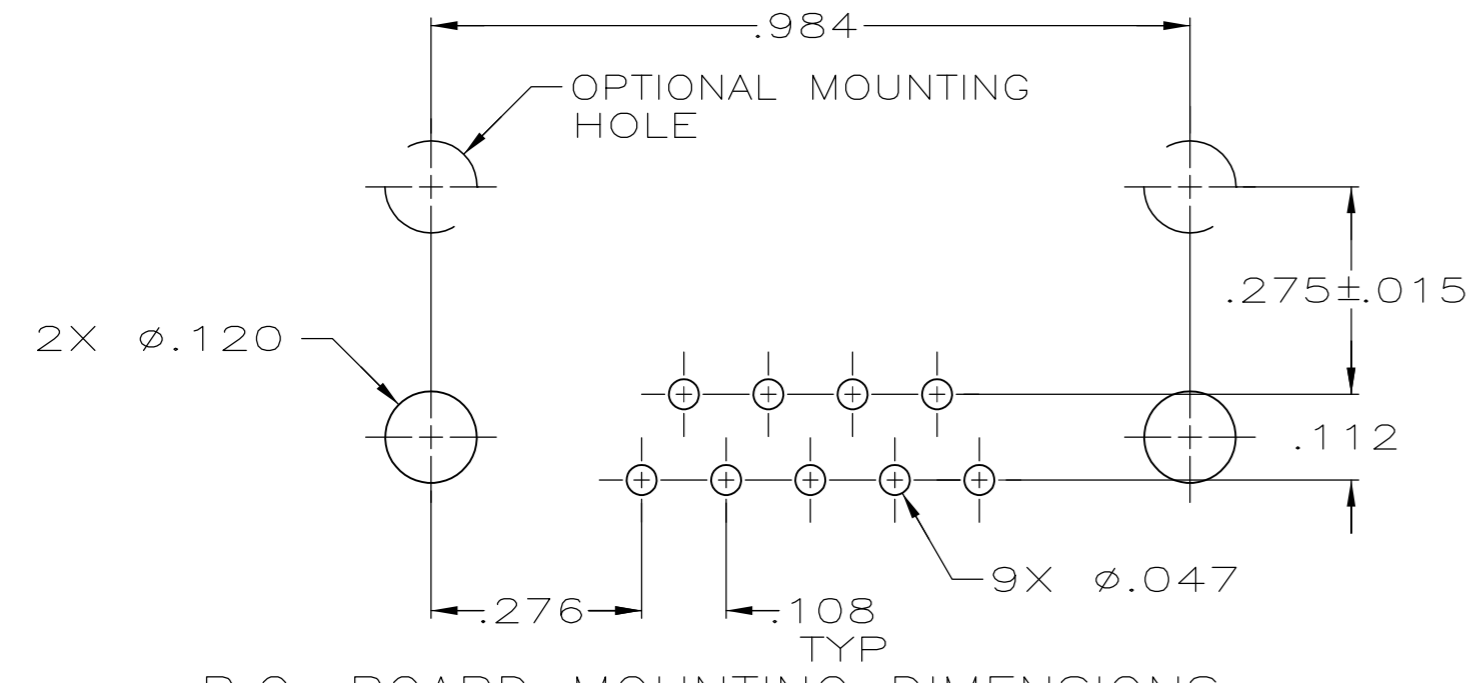
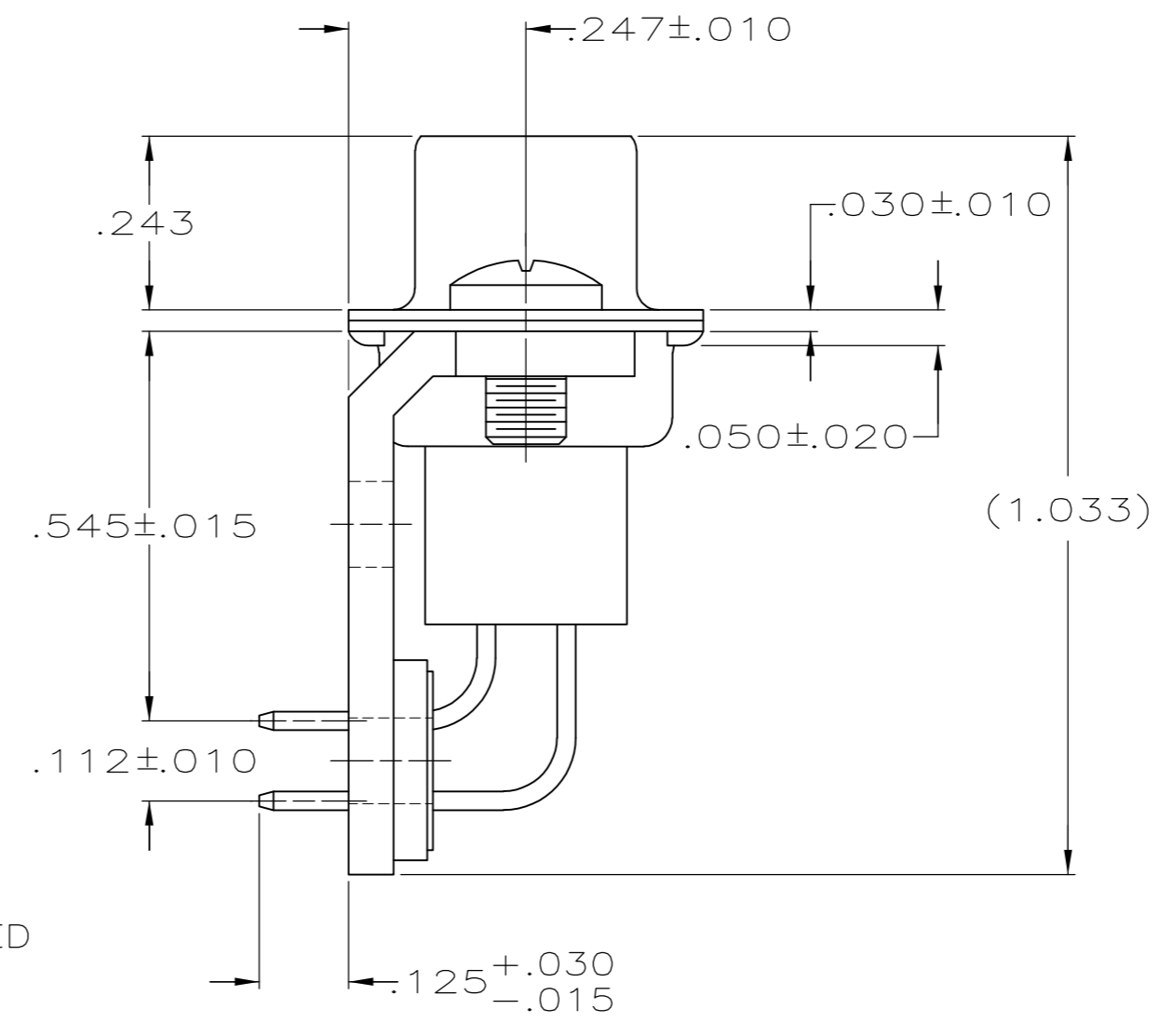
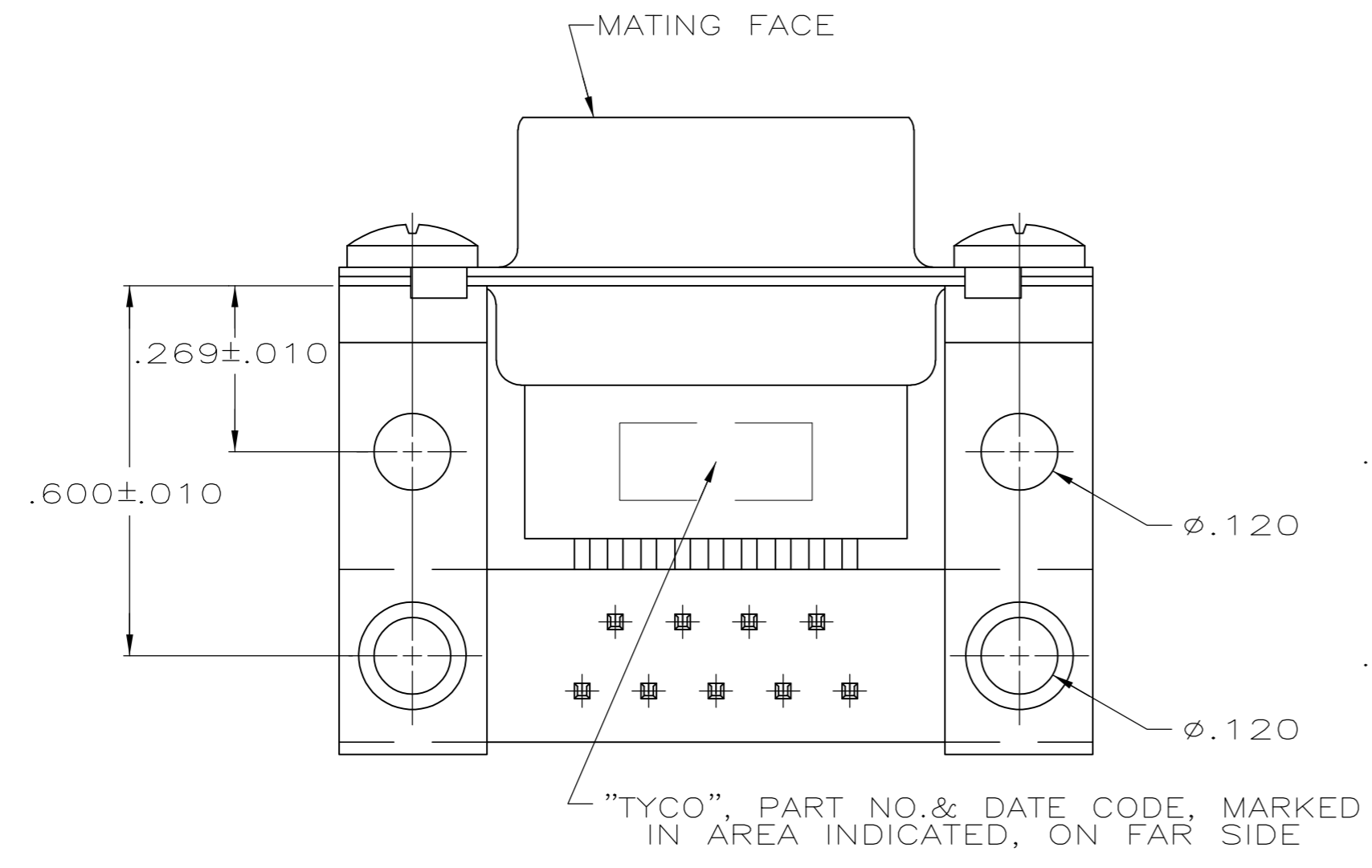


THIS DRAWING IS UNPUBLISHED. RELEASED FOR PUBLICATION
 © COPYRIGHT 2005 By - ALL RIGHTS RESERVED.

LOC		DIST		REVISIONS			
GP	00	P	LTR	DESCRIPTION	DATE	DWN	APVD
		B		REVISED PER ECO-14-011808	11AUG2014	AP	SB



- 1 MOLDED PARTS: GLASS-FILLED PBT OR GLASS-FILLED NYLON, UL94V-0 RATED. COLOR BLACK.
SHELLS & BRACKETS: CARBON STEEL
CONTACTS: PHOS BRONZE
- 2 SHELLS: .000200 MIN TIN OVER .000100 MIN COPPER.
BRACKETS: .000200 MIN TIN OVER .000050 MIN COPPER.
CONTACTS: .000030 MINIMUM GOLD FOR A LENGTH OF .100 MINIMUM FROM MATING END, .000100 MINIMUM TIN ON OPPOSITE END, BOTH OVER .000050 MINIMUM NICKEL
-OR-
GOLD FLASH OVER .000030 MINIMUM PALLADIUM NICKEL PLATED FOR LENGTH OF .100 MINIMUM FROM MATING END, .000100 MINIMUM TIN ON OPPOSITE END, BOTH OVER .000050 MINIMUM NICKEL.



5745112

5745112-2
PART NUMBER

THIS DRAWING IS A CONTROLLED DOCUMENT.		DWN D. HENNY 8-21-05		TE Connectivity		
DIMENSIONS: INCHES		CHK S. BOLASH 8-21-05		NAME		
TOLERANCES UNLESS OTHERWISE SPECIFIED:		APVD M. WALMSLEY 8-21-05		RECEPTACLE ASSEMBLY, SIZE 1, 9 POSITION., RIGHT ANGLE, .545 SERIES, .025 SQ. POSTS, AMPLIMITE HDP		
0 PLC ± - 1 PLC ± - 2 PLC ± - 3 PLC ± .005 4 PLC ± - ANGLES ± 2°		PRODUCT SPEC 108-40025		SIZE A2	CAGE CODE 00779	DRAWING NO C=5745112
MATERIAL		WEIGHT	RESTRICTED TO			
FINISH		CUSTOMER DRAWING	SCALE 4:1	SHEET 1 of 1	REV B	

单击下面可查看定价，库存，交付和生命周期等信息

[>>TE Connectivity\(泰科\)](#)

[>>点击查看相关商品](#)