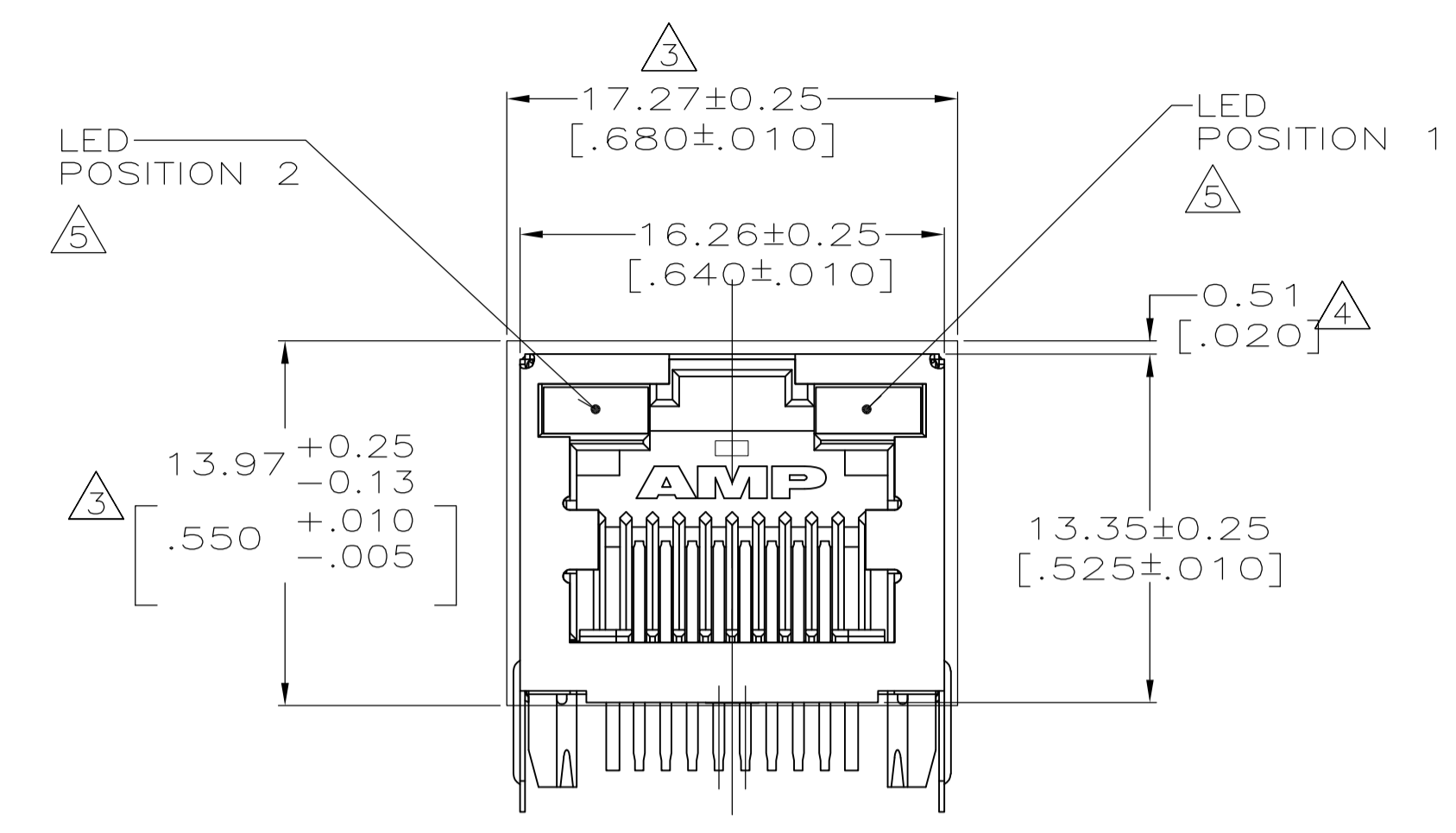
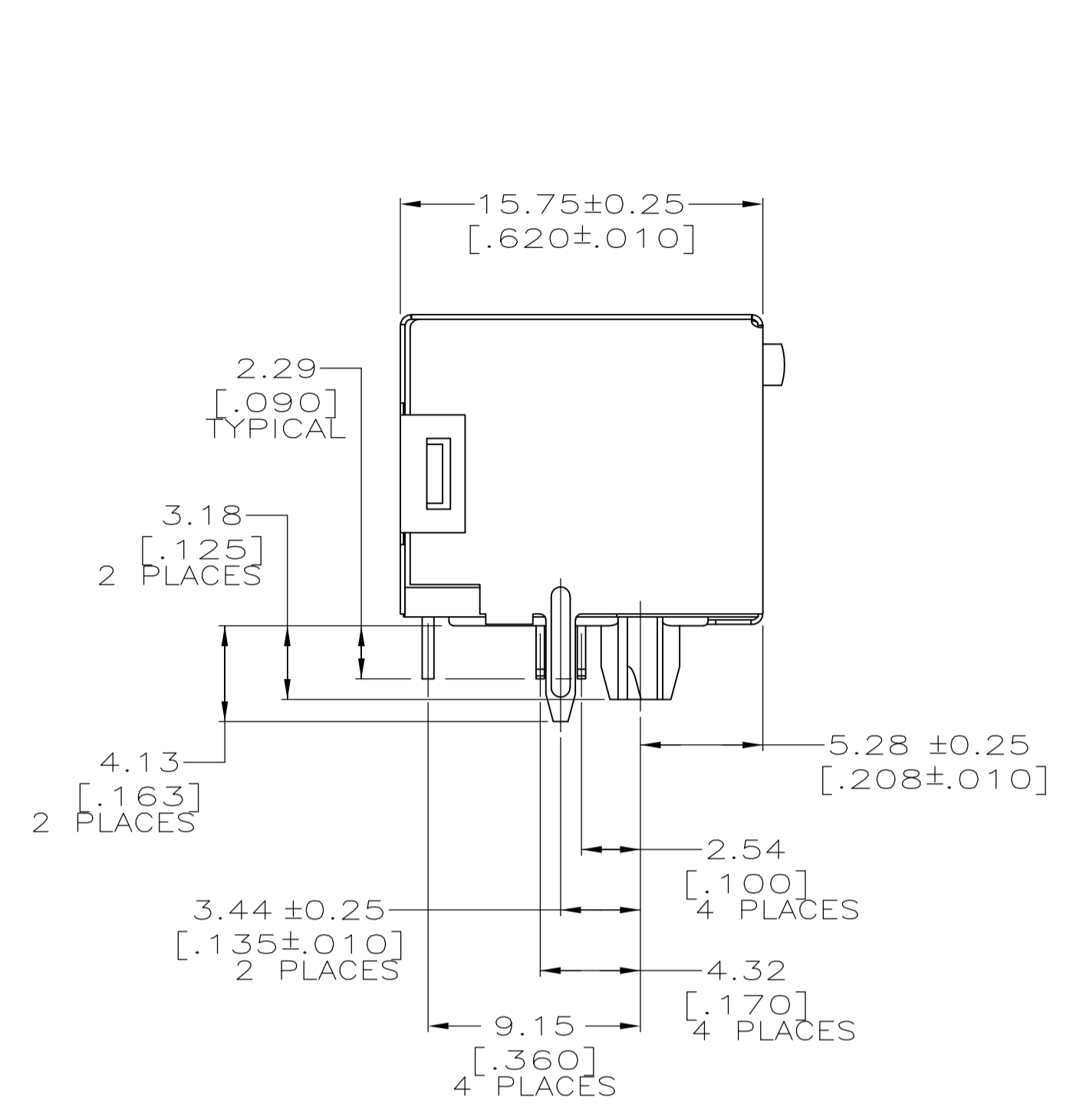
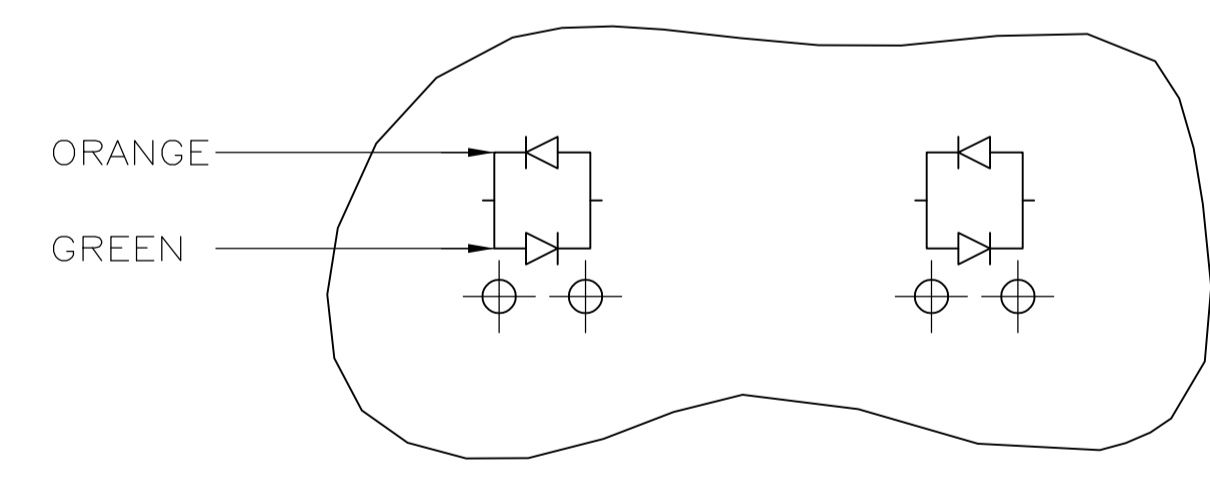


LOC	DIST	REVISIONS			
REV	DATE	DESCRIPTION	DATE	BY	APPV
A1	REVIS	PER ECO-11-005033	28MAR11	RK	HMR

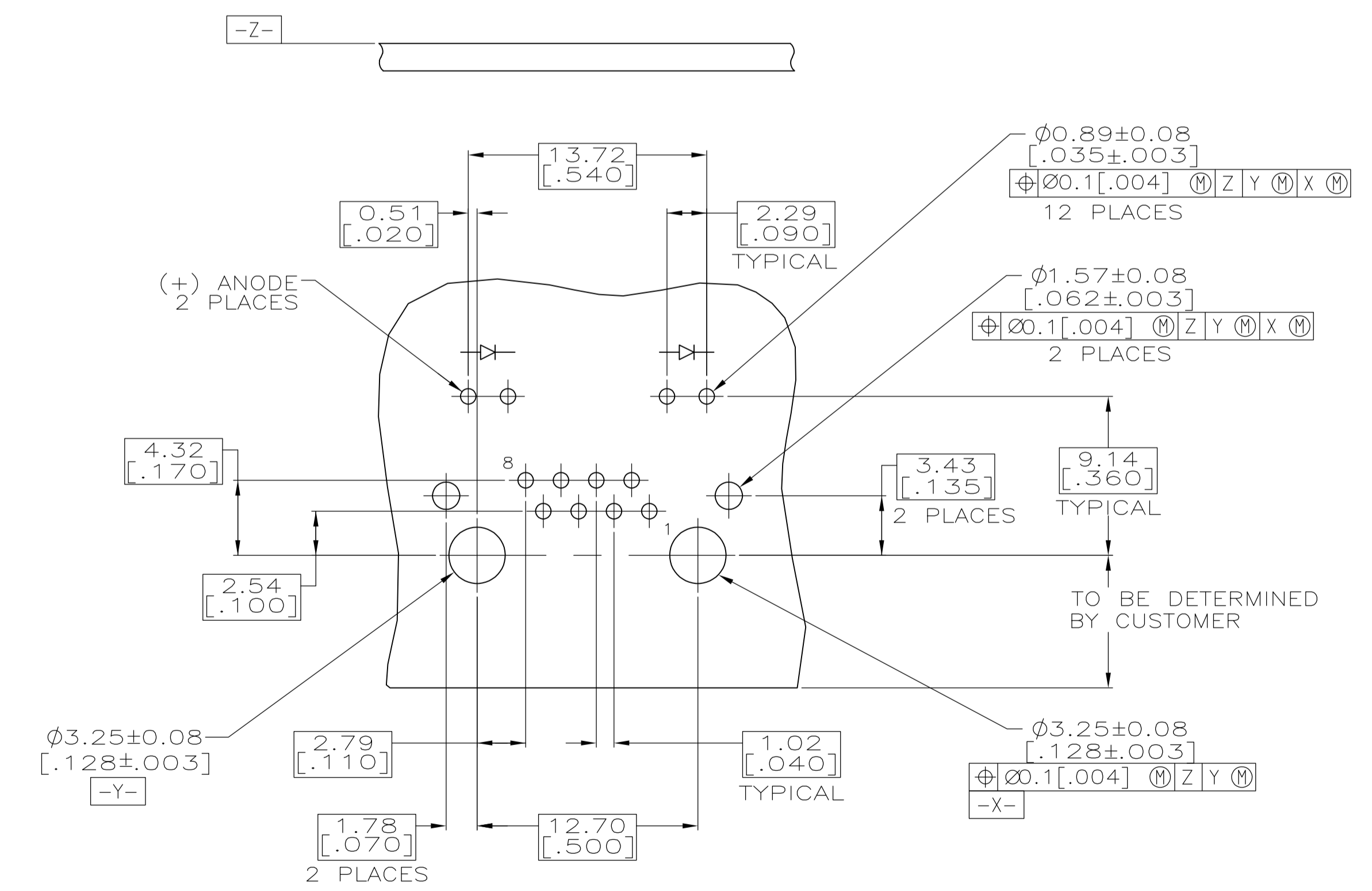


MATERIAL:
 HOUSING – HIGH TEMPERATURE THERMOPLASTIC, BLACK, UL94V-0.
 TERMINALS – 0.36 THICK PHOS BRONZE PLATED WITH 3.81 µm MIN THICK MATTE TIN IN SOLDER AREA. 1.27 µm [.000050] MINIMUM GOLD IN LOCALIZED PLATE AREA. ENTIRE TERMINAL PLATED WITH 1.27 µm MIN THICK NICKEL.
 SHIELD – 0.196 THICK COPPER ZINC ALLOY PREPLATED WITH 1.27 µm MIN SATIN NICKEL WITH 2.03 µm MIN TIN POST DIPPED ON PCB GROUND TABS.
 LIGHT EMITTING DIODE (LED) – DIFFUSED EPOXY LENS, 0.51 x 0.51 CARBON STEEL
 WIREFRAME LEADS PREPLATED WITH 8.89 µm THICK Sn/Cu OVER 2.03 µm THICK Ag OVER 1.02 µm THICK Cu OVER 3.56 µm THICK Ni OVER 1.02 µm THICK Cu UNDERPLATE

- JACK CAVITY CONFORMS TO FCC RULES AND REGULATIONS PART 68, SUBPART F.
- SUGGESTED PANEL OPENING DIMENSIONS.
- SUGGESTED CLEARANCE BETWEEN TOP OF CONNECTOR AND TOP PANEL OPENING.
- SEE TABLE FOR COLOR OF LEDs AND NUMBER REQUIRED.
- THIS MODULAR JACK WITH INTEGRATED LED IS NOT IR REFLOW SOLDERING PROCESS COMPATIBLE.



LED CURRENT DIAGRAM
 1116075-7 ONLY



SUGGESTED PRINTED CIRCUIT BOARD LAYOUT
 (COMPONENT SIDE)

INDICATOR COLOR	PART NUMBER
ORANGE/GREEN	6116075-7
YELLOW	6116075-6
GREEN	6116075-5
GREEN	6116075-4
YELLOW	6116075-3
-	6116075-2
YELLOW	6116075-1
POSITION 2	POSITION 1

THIS DRAWING IS A CONTROLLED DOCUMENT.

STE TE Connectivity

INVERTED MODULAR JACK ASSEMBLY, 1X1, SHIELDED, LED

DIMENSIONS: mm	TOLERANCES UNLESS OTHERWISE SPECIFIED:	0 PLC ± -	1 PLC ± -	2 PLC ± 0.25[.01]	3 PLC ± 0.13[.005]	4 PLC ± -	ANGLES ± -
----------------	--	-----------	-----------	-------------------	--------------------	-----------	------------

MATERIAL: SEE NOTE 1	FINISH: SEE NOTE 1	WEIGHT: -	SIZE: A1	CAGE CODE: 100779	DRAWING NO: 6116075	RESTRICTED TO: -
----------------------	--------------------	-----------	----------	-------------------	---------------------	------------------

CUSTOMER DRAWING SCALE 4:1 SHEET 1 OF 1 REV A1

单击下面可查看定价，库存，交付和生命周期等信息

[>>TE Connectivity\(泰科\)](#)