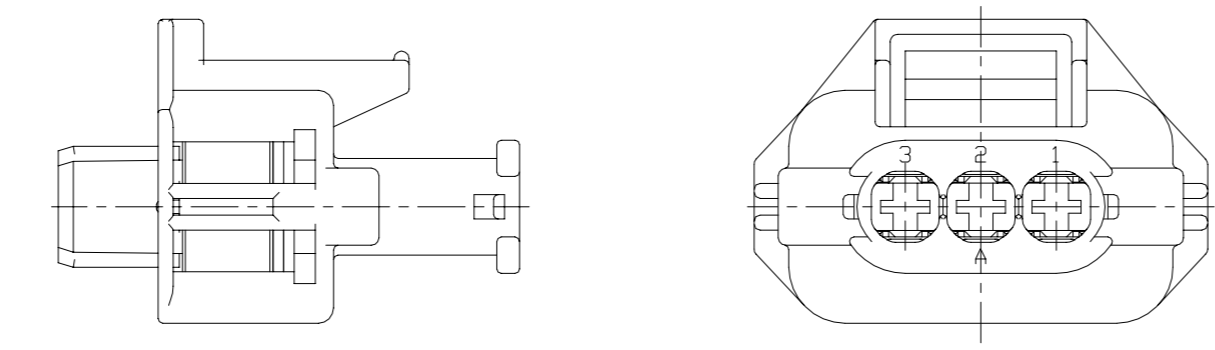
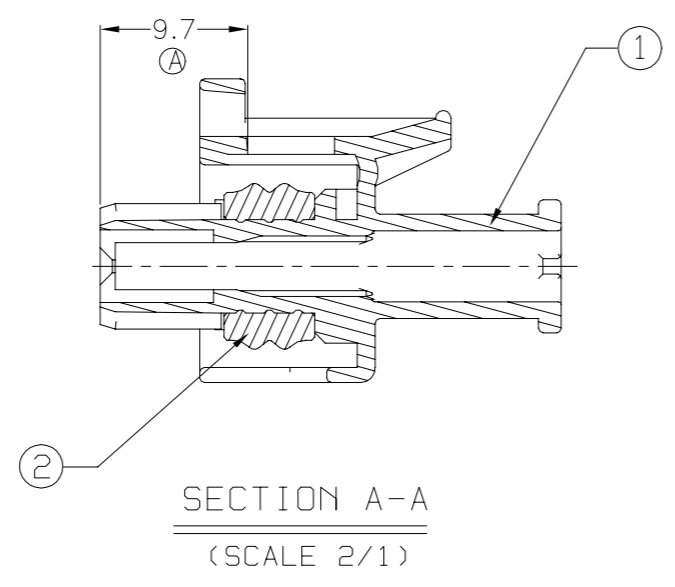
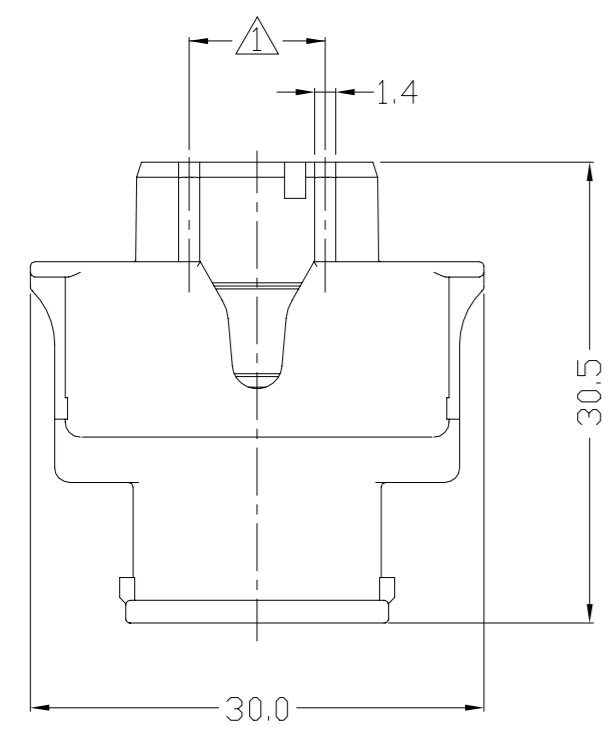
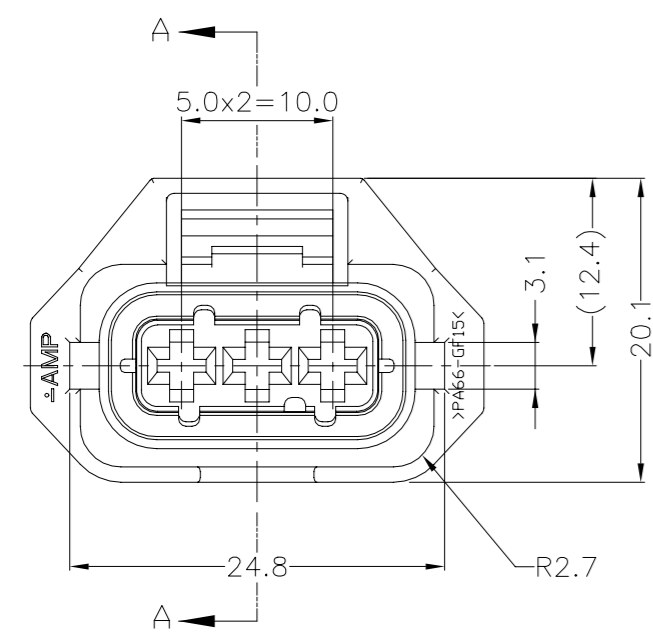
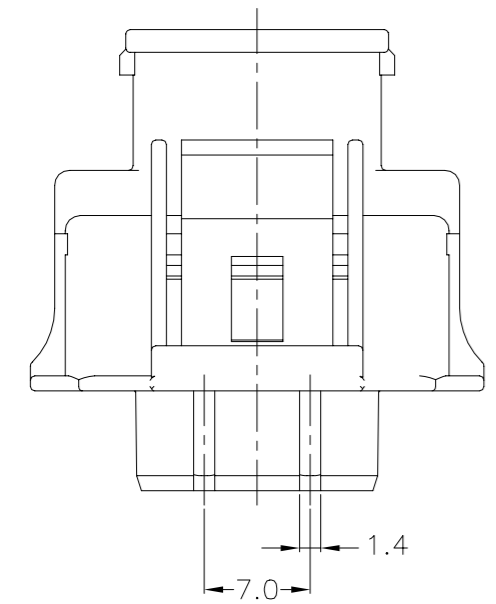


THIS DRAWING IS UNPUBLISHED. RELEASED FOR PUBLICATION
© COPYRIGHT BY TYCO ELECTRONICS CORPORATION. ALL RIGHTS RESERVED.

REVISIONS				
P	LTR	DESCRIPTION	DATE	DWN APVD
E		REVISED(ECR-13-000208)	08. JAN. '13	JM HG
E1		REVISED(ECR-13-008839)	01. JUN. '13	JM HG
E2		REVISED(ECR-14-014192)	29. SEP. '14	JM HG
E3		REVISED(ECR-16-008211)	08. JUN. '16	JM JW
F		REVISED(ECR-20-012240)	31. AUG. '20	YH YJ



4. APPLIED RECEPTACLE CONTACT P/N:

DESCRIPTION	2.8mm SENSOR-FLAT RECEPTACLE	
Part NO.	967542	967543
WIRE SIZE(mm ²)	0.5 ~ 1.0	1.25 ~ 2.5

5. APPLIED WIRE SEAL P/N:

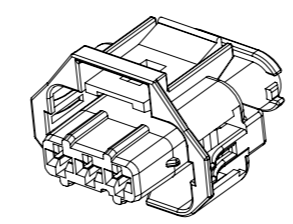
DESCRIPTION	SINGLE-WIRE SEAL(5mm Hole)	
Part NO.	828904	828905
INSULATION DIA.(φ)	1.2 ~ 2.1mm	2.2 ~ 3.0mm

(TABLE 1)

CODE I: 936060-1, -2, -3 1-936060-3	CODE II : N/A
	SEE DRAWING 936061
CODE III : 2-936060-1, -3	CODE IV : TBD

NOTE ;
 1. CODING IS AS FOLLOWS; SEE TABLE 1.
 2. 0.15 MAX. WARPAGE AND 0.2 MAX. FLASH ARE PERMISSIBLE
 3. SURFACE DEFECTS ARE NOT ACCEPTABLE AS FOLLOWS: SINK, WELD LINES, HAIRCRACKS, STAINS & SCORES

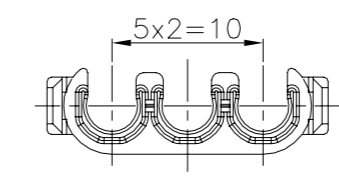
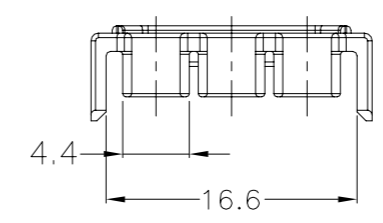
ASSEMBLY



3D VIEW (SCALE 1/1)

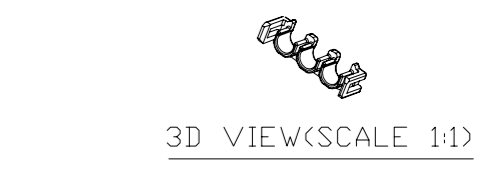
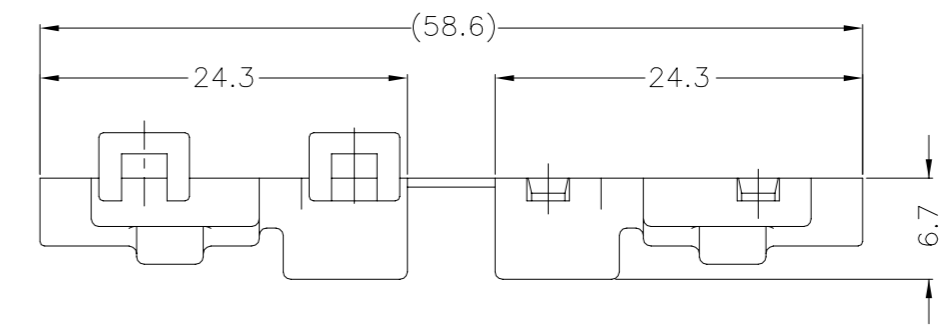
ACCESSORIES DRAWING

1. DBL HSG : P/N:936106
SCALE : 2/1



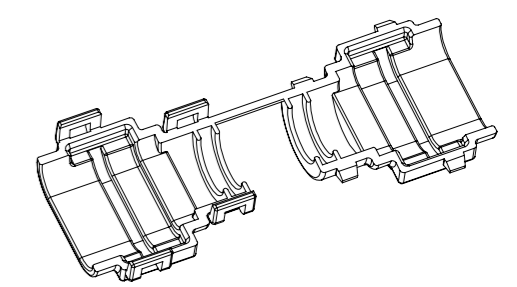
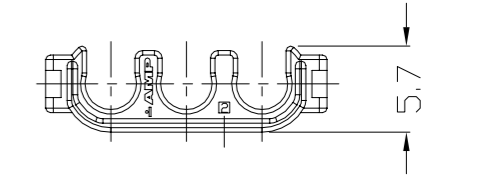
2. COVER HSG : P/N:936112
SCALE : 2/1

NOTE ;
 1) MATERIAL : NYLON 66
 2) CORRUGATOR DIAMETER : φ7.0



3D VIEW(SCALE 1:1)

NOTE ;
 1) MATERIAL : PBT



3D VIEW(SCALE 1:1)

ASSEMBLY P/N	Q'TY	P/N	DESCRIPTION	MATERIAL	COLOR	NO
2-936060-3	1	936801-5	INNER SEAL	SILICONE	YELLOW	2
2-936060-1	1	936801-3	INNER SEAL	SILICONE	BLUE	2
1-936060-3	1	936801-1	INNER SEAL	SILICONE	RED ORANGE	2
936060-2	1	2-936105-3	PLUG HSG	PA 66 GF15	GRAY	1
936060-3	1	2-936105-1	PLUG HSG	PA 66 GF15	BLACK	1
936060-1	1	936105-3	PLUG HSG	PA 66 GF15	GRAY	1
	1	936105-1	PLUG HSG	PA 66 GF15	BLACK	1

THIS DRAWING IS A CONTROLLED DOCUMENT FOR TYCO ELECTRONICS CORPORATION IT IS SUBJECT TO CHANGE AND THE CONTROLLING ENGINEERING ORGANIZATION SHOULD BE CONTACTED FOR THE LATEST REVISION.

ASSEMBLY P/N: 2-936060-3, 2-936060-1, 1-936060-3, 936060-2, 936060-3, 936060-1

DIMENSIONS: MM
 TOLERANCES UNLESS OTHERWISE SPECIFIED:
 0 <XX<10 ± 0.2
 10<XX<30 ± 0.25
 30<XX ± 0.3
 ANGLES ± 3°

3rd ANGLE PROJECTION

MATERIAL: SEE TABLE
 FINISH: -----

W/EN: DWN JM JEON
 CHK: APVD JW JUNG
 PRODUCT SPEC: -----
 APPLICATION SPEC: 114-18144

NAME: 2.8mm SEALED 3P PLUG ASSEMBLY (FLAT SENSOR CONNECTOR)

SIZE: A2
 CAGE CODE: 00779
 DRAWING NO: 936060
 RESTRICTED TO: C-

SCALE 2/1 SHEET 1 OF 1 REV F

单击下面可查看定价，库存，交付和生命周期等信息

[>>TE Connectivity\(泰科\)](#)