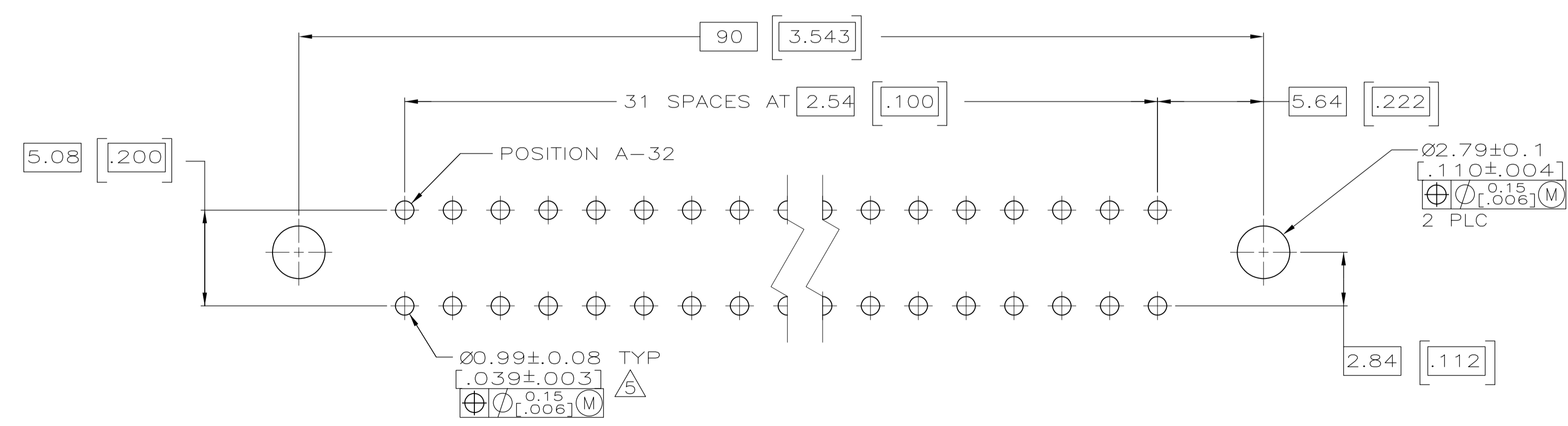
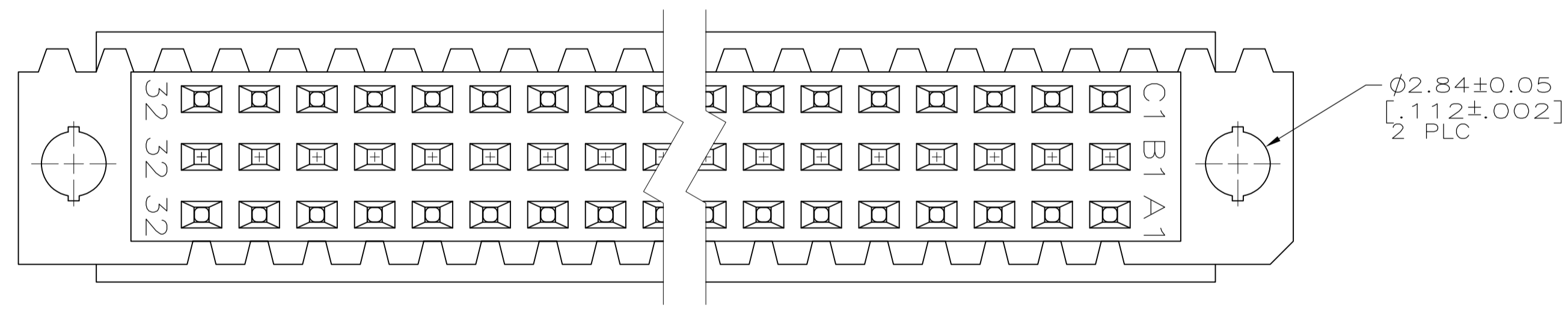
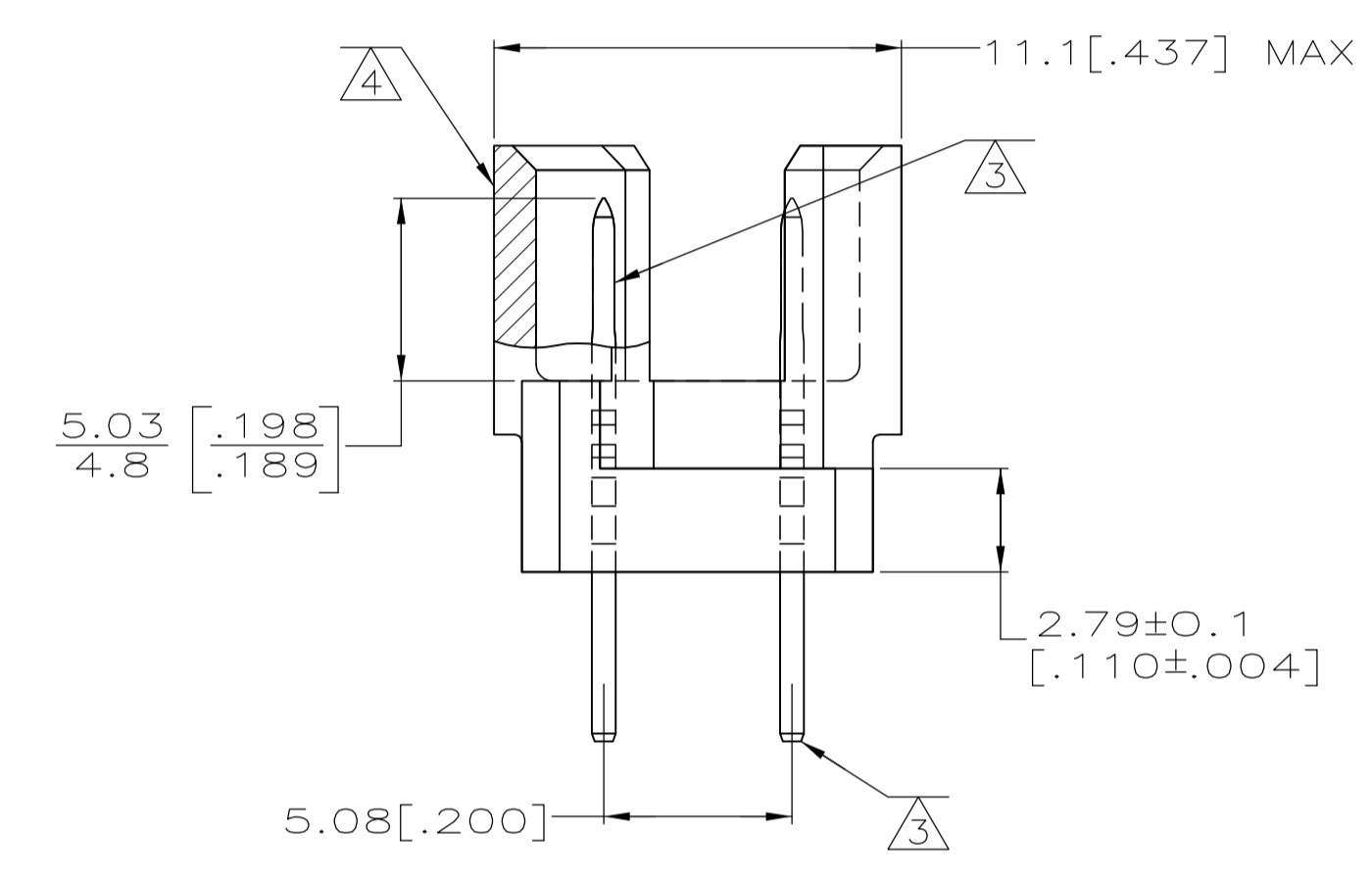
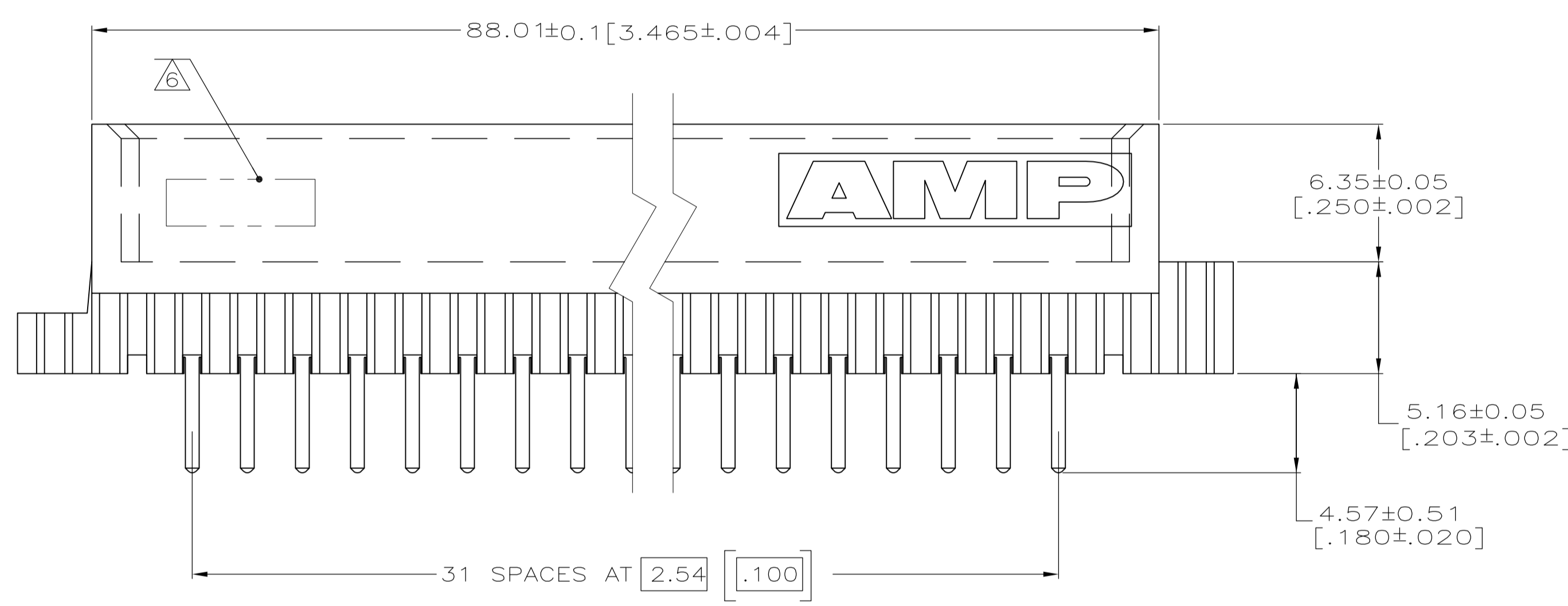


- ① HOUSING MATERIAL: GLASS-FILLED POLYMER.
- ② POST MATERIAL: COPPER ALLOY.
- ③ POST FINISH: DIN 41612 CLASS 2 IN CONTACT AREA. TIN PLATE ON POSTS.
- ④ MARKING ON THIS SIDE.
- ⑤ RECOMMENDED HOLE SIZE FOR MANUAL APPLICATION OF CONNECTOR ONTO PC BOARD.
- ⑥ [PART NUMBER, DATE CODE] MARKED THIS APPROXIMATE AREA.



PC BOARD LAYOUT

1-32	X	-	X	64	5650934-5
POSITIONS LOADED	C	B	A	NO. OF POSITIONS LOADED	ASSY PART NUMBER

THIS DRAWING IS A CONTROLLED DOCUMENT.		DIN J. POLIGNONE DSMAYOS		Tyco Electronics Corporation Harrisburg, Pa 17105-3608	
DIMENSIONS: mm [INCHES]		TOLERANCES UNLESS OTHERWISE SPECIFIED:		NAME: ASSEMBLY, PIN, EUROCARD, TYPE R, A and C, 64/96 POSITION, .180 SOLDER POST	
0 PLC ± - 1 PLC ± - 2 PLC ± 0.13[.005] 3 PLC ± - 4 PLC ± - ANGLES ± -		PRODUCT SPEC APPLICATION SPEC WEIGHT CUSTOMER DRAWING		SIZE: A1 CAGE CODE: 00779 DRAWING NO: 5650934 SCALE: 5:1 SHEET: 1 of 1 REV: 01	

单击下面可查看定价，库存，交付和生命周期等信息

[>>TE Connectivity\(泰科\)](#)