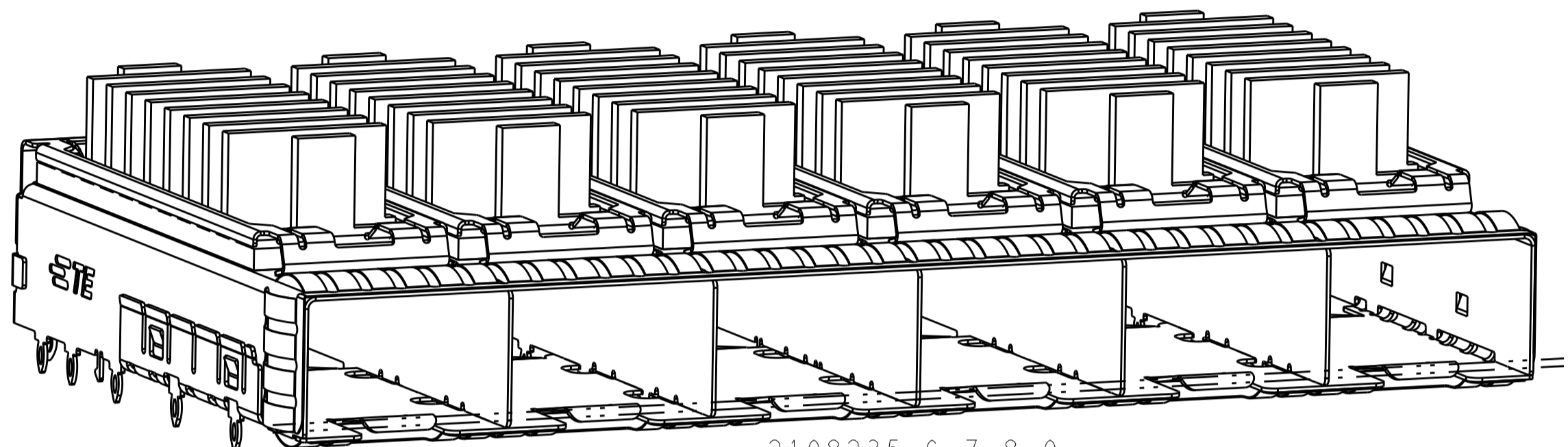
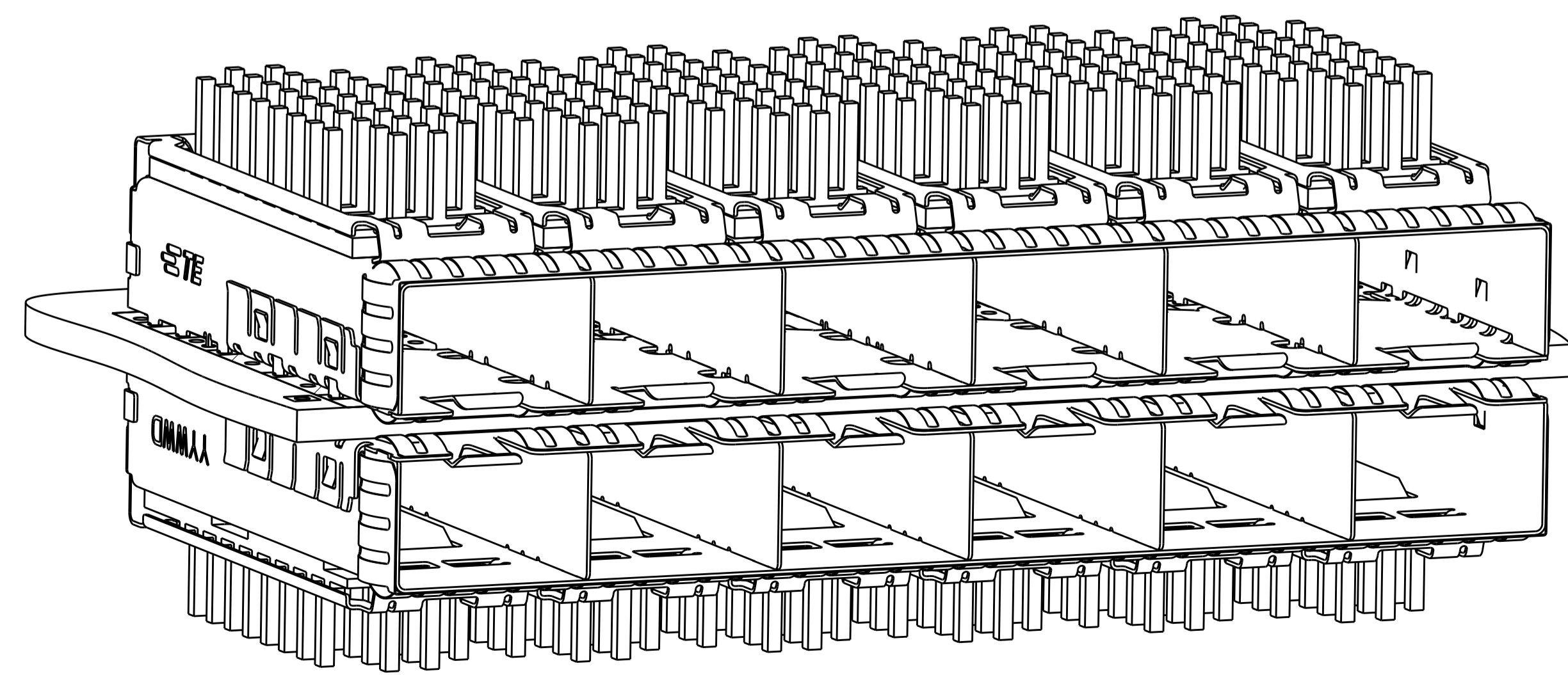
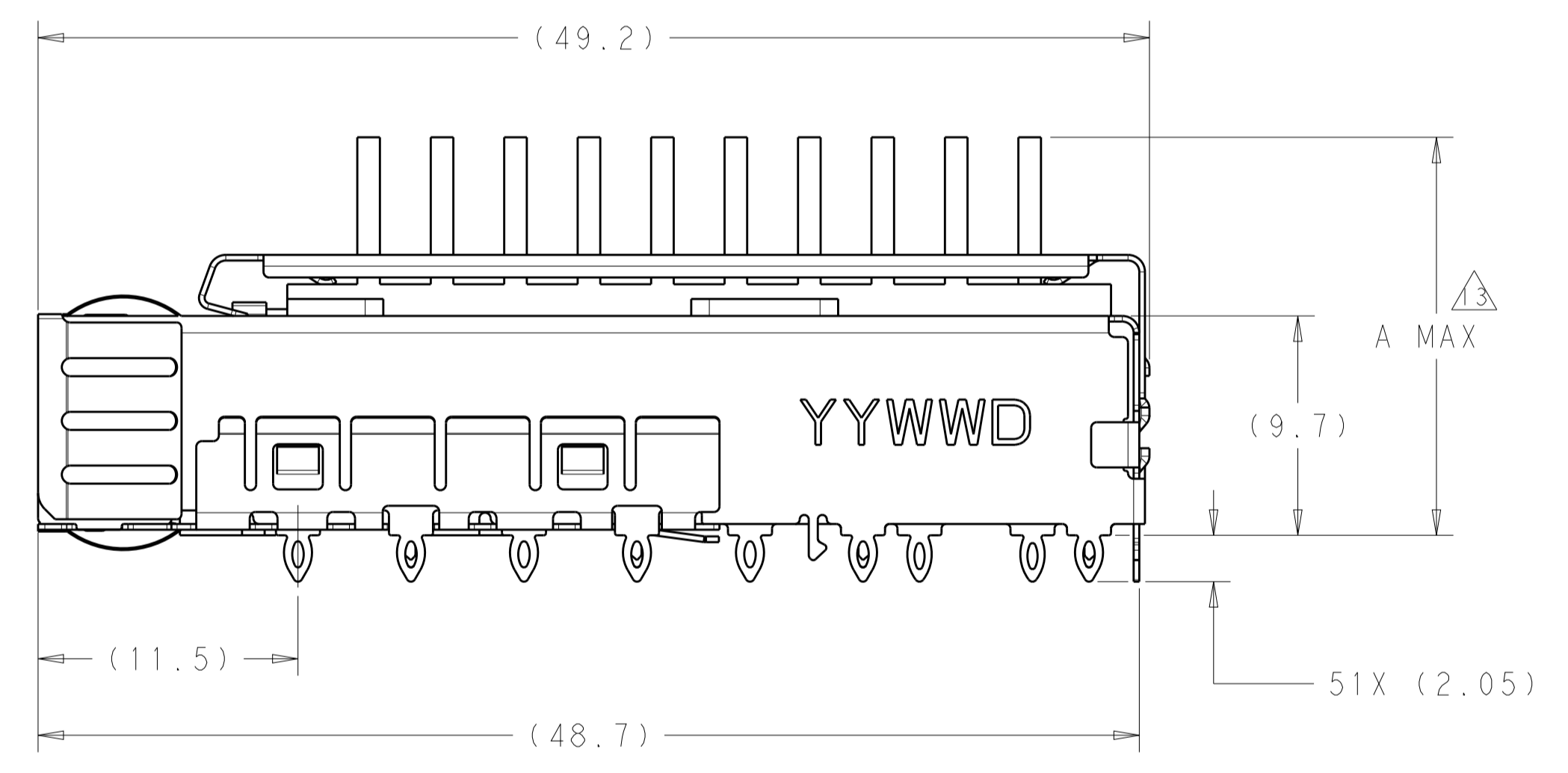
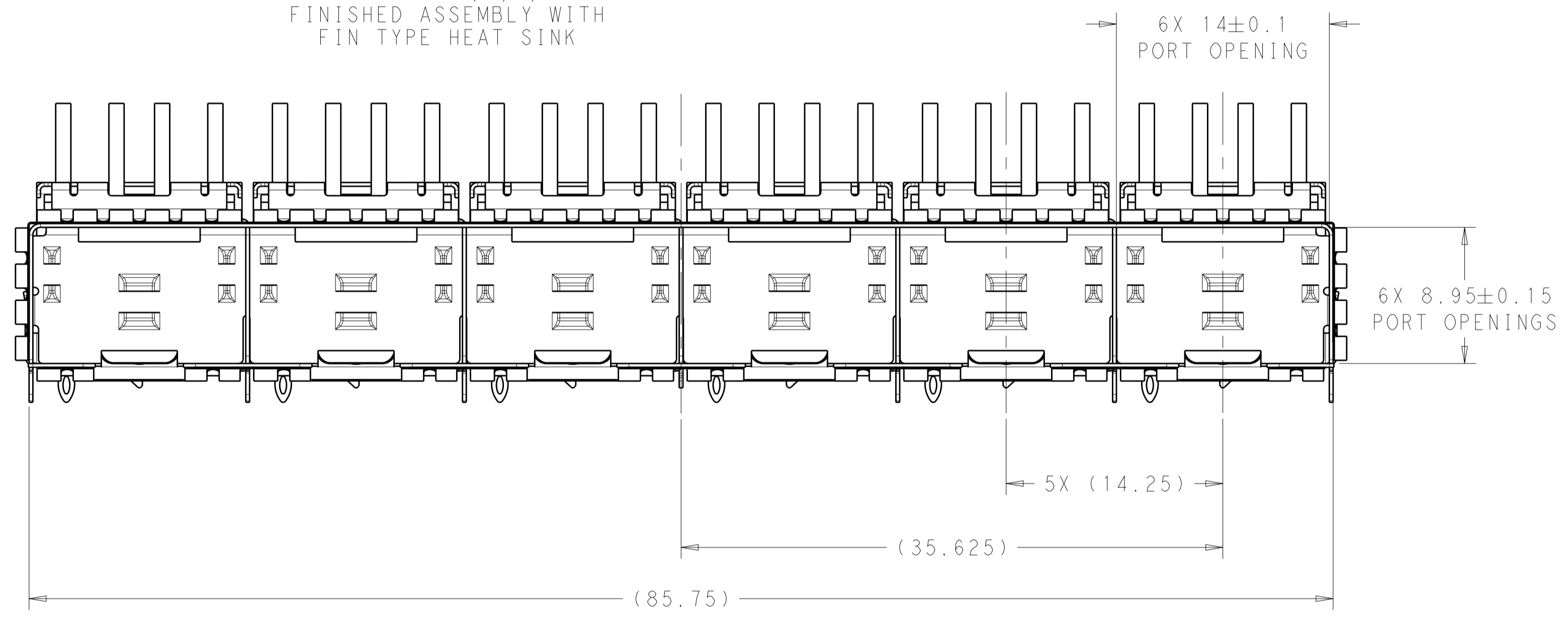


2198235-1,2,3,4,5
 FINISHED ASSEMBLY WITH
 PIN TYPE HEAT SINK



2198235-6,7,8,9
 FINISHED ASSEMBLY WITH
 FIN TYPE HEAT SINK



2198235
 MOUNTED BELLY TO BELLY ON PCB
 SCALE 3:1

- △ MATERIAL:
 CAGE ASSEMBLY: 0.25mm THICK NICKEL SILVER ALLOY.
 HEATSINK CLIP: STAINLESS STEEL
 HEATSINK: ALUMINUM
- △ FINISH:
 EMI SPRINGS: MINIMUM OF 0.8um TIN PLATE OVER A MINIMUM OF 0.8um NICKEL UNDERPLATE.
 NON-PLATED EDGES PERMISSIBLE.
 HEATSINK CLIP: PASSIVATE
 HEATSINK: ELECTROLESS NICKEL
- MATES WITH SFP MSA COMPLIANT TRANSCEIVERS.
 - PADS AND VIAS CHASSIS GROUND.
 - INTERPRETATION OF DATUM REFERENCE FRAME IN ACCORDANCE WITH SECT 4.4.1.1 OF ASME Y14.5M-1994.
 - MINIMUM PC BOARD THICKNESS:
 SINGLE SIDED = 1.50mm
 DOUBLE SIDED = 2.25mm
 - HOLE PATTERN REPEATS FOR EACH PORT. SPACING BETWEEN PORTS IS 14.25mm.
 - DATUM AND BASIC DIMENSION ESTABLISHED BY CUSTOMER.
 - REFERENCE APPLICATION SPEC. 114-13120, HOLE A, FOR RECOMMENDED DRILL HOLE DIAMETER AND PLATING THICKNESS.
 - REFERENCE APPLICATION SPEC. 114-13120, HOLE B, FOR RECOMMENDED DRILL HOLE DIAMETER AND PLATING THICKNESS.
 - CERTAIN MATING TRANCEIVERS MAY REQUIRE ADDITIONAL PCB THICKNESS THAT WOULD BE DETERMINED BY THE CUSTOMER.
 - PRODUCT COMPLIES WITH SPECIFICATION SFF-8433 IMPROVED PLUGGABLE FORM FACTOR FOR SFP+ GANGED CAGES.
 - DIMENSION APPLIES PRIOR TO INSERTION OF SFP MODULE

LOC	DIST	REVISIONS				
GP	00	REV	DESCRIPTION	DATE	OWN	APVD
		A	RELEASED PER ECO-12-013192	06NOV2012	BMM	MRS
		B	RELEASED PER ECO-13-000564	30JAN2013	BMM	MRS
		B1	RELEASED PER ECO-13-014600	20SEP2013	PP	SH
		B2	RELEASED PER ECO-15-006578	20APR2015	PP	SH

FIN TYPE	W/O INSULATING TAPE	22.5	NETWORKING, TALL	2198235-9
FIN TYPE	W/O INSULATING TAPE	18.1	NETWORKING, SHORT	2198235-8
FIN TYPE	W/O INSULATING TAPE	15.5	SAN	2198235-7
FIN TYPE	W/O INSULATING TAPE	13.2	PCI	2198235-6
PIN TYPE	W/ INSULATING TAPE	22.5	NETWORKING, TALL	2198235-5
PIN TYPE	W/O INSULATING TAPE	22.5	NETWORKING, TALL	2198235-4
PIN TYPE	W/O INSULATING TAPE	18.1	NETWORKING, SHORT	2198235-3
PIN TYPE	W/O INSULATING TAPE	15.5	SAN	2198235-2
PIN TYPE	W/O INSULATING TAPE	13.2	PCI	2198235-1
HEAT SINK	DESCRIPTION	A MAX	APPLICATION	PART NUMBER

THIS DRAWING IS A CONTROLLED DOCUMENT.

DIMENSIONS: mm

TOLERANCES UNLESS OTHERWISE SPECIFIED:
 0 PLC ±0.1
 1 PLC ±0.1
 2 PLC ±0.1
 3 PLC ±0.1
 4 PLC ±0.1
 ANGLES ±0.1°

MATERIAL: △
 FINISH: △

OWN: B. MATTHEWS 15NOV2011
 CHK: M. SCHMITT 15NOV2011
 APVD: M. SCHMITT 15NOV2011

PRODUCT SPEC: 108-2364
 APPLICATION SPEC: 114-13120

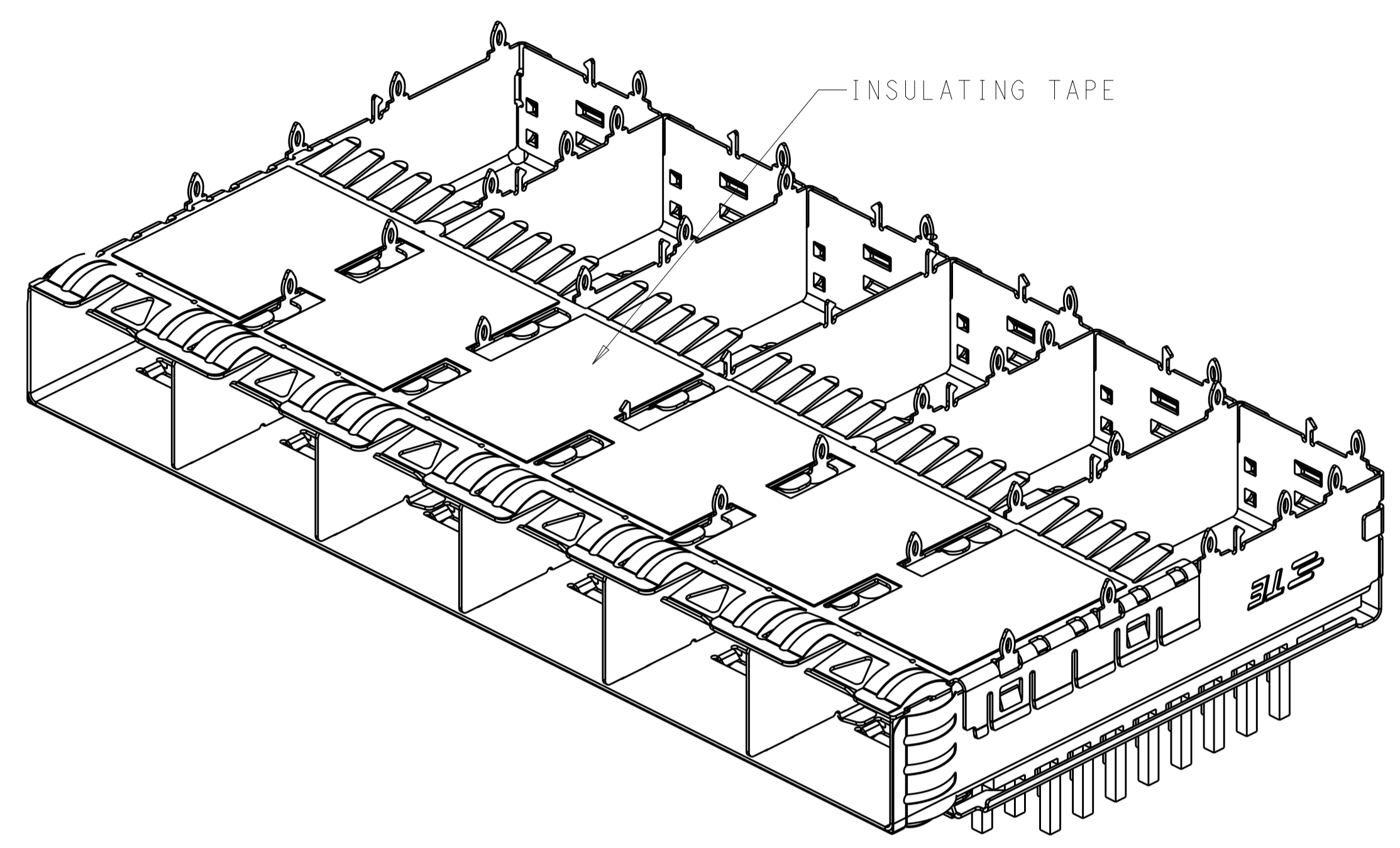
WEIGHT: -

Customer Drawing

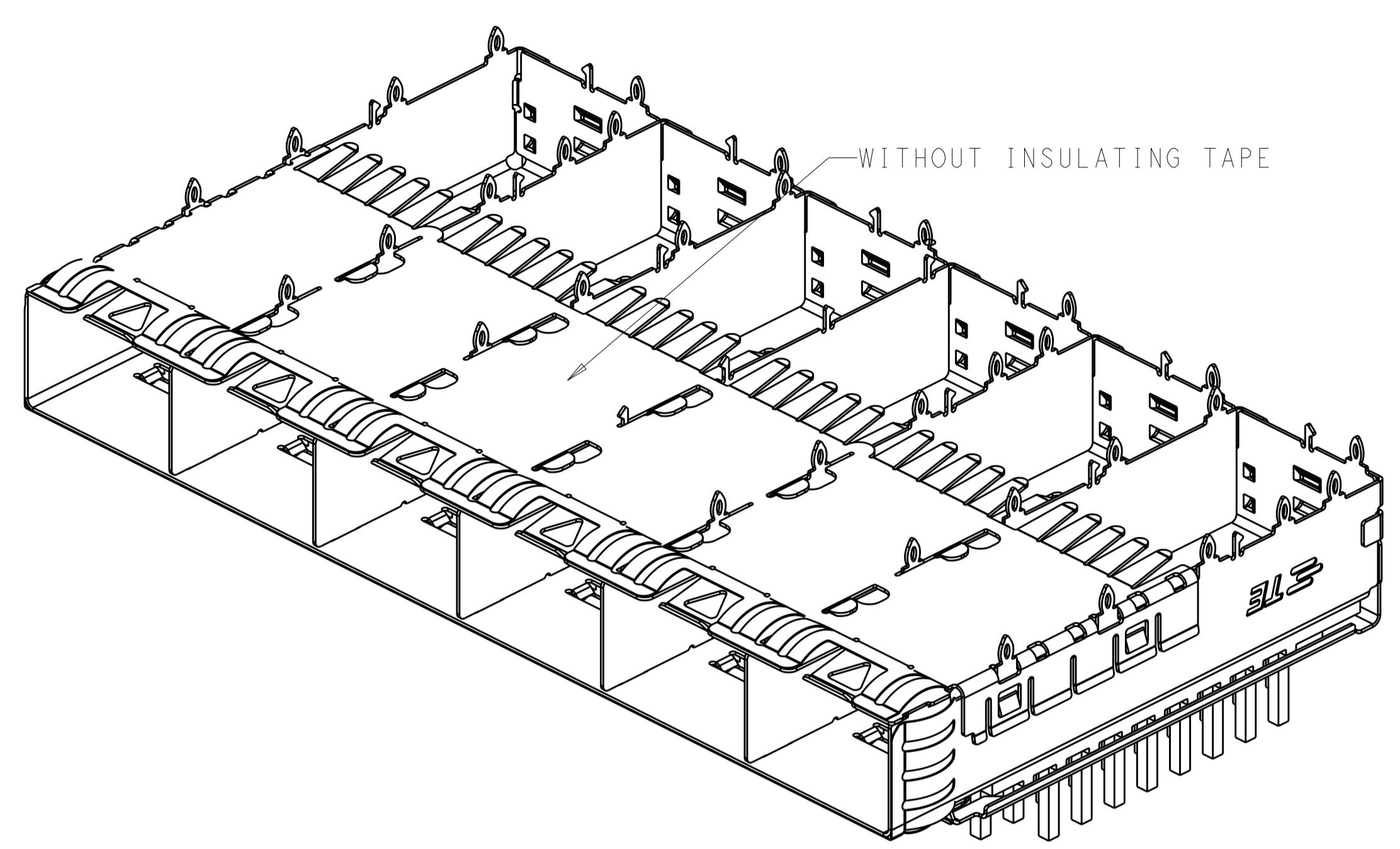
SCALE: 4:1 SHEET 1 OF 7 REV: B2

STE TE Connectivity
 NAME: SFP+ ENHANCED 1X6 CAGE ASSEMBLY, PRESS FIT, EXTERNAL EMI SPRINGS WITH HEATSINK
 SIZE: CAGE CODE DRAWING NO: A100779C-2198235
 RESTRICTED TO: -

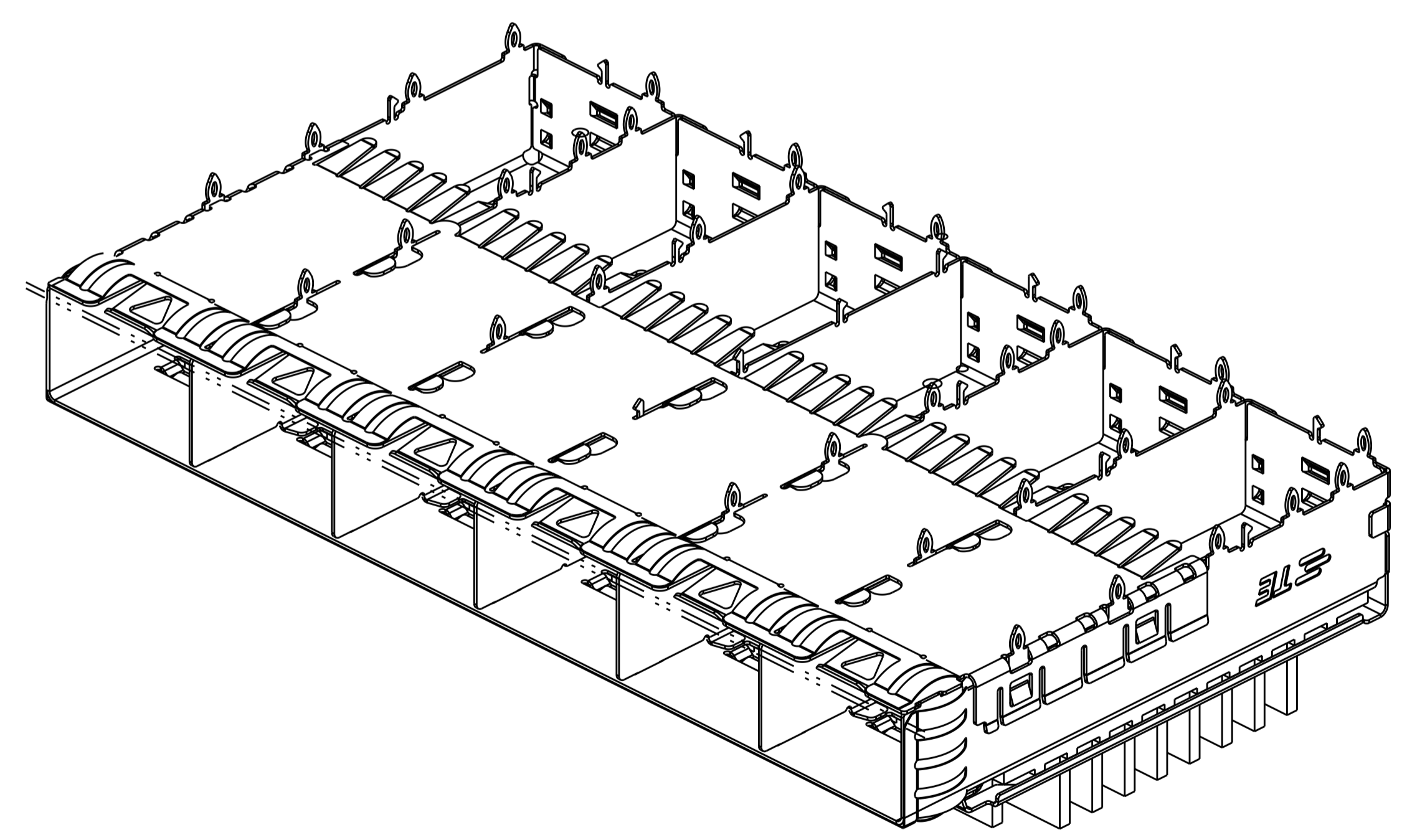
LOC	DIST	REVISIONS					
GP	00	P	LYR	DESCRIPTION	DATE	DWN	APVD
		-		SEE SHEET 1			



2198235-5 AS SHOWN WITH INSULATING TAPE WITH PIN TYPE HEAT SINK



2198235-1,2,3,4 WITHOUT INSULATING TAPE WITH PIN TYPE HEAT SINK

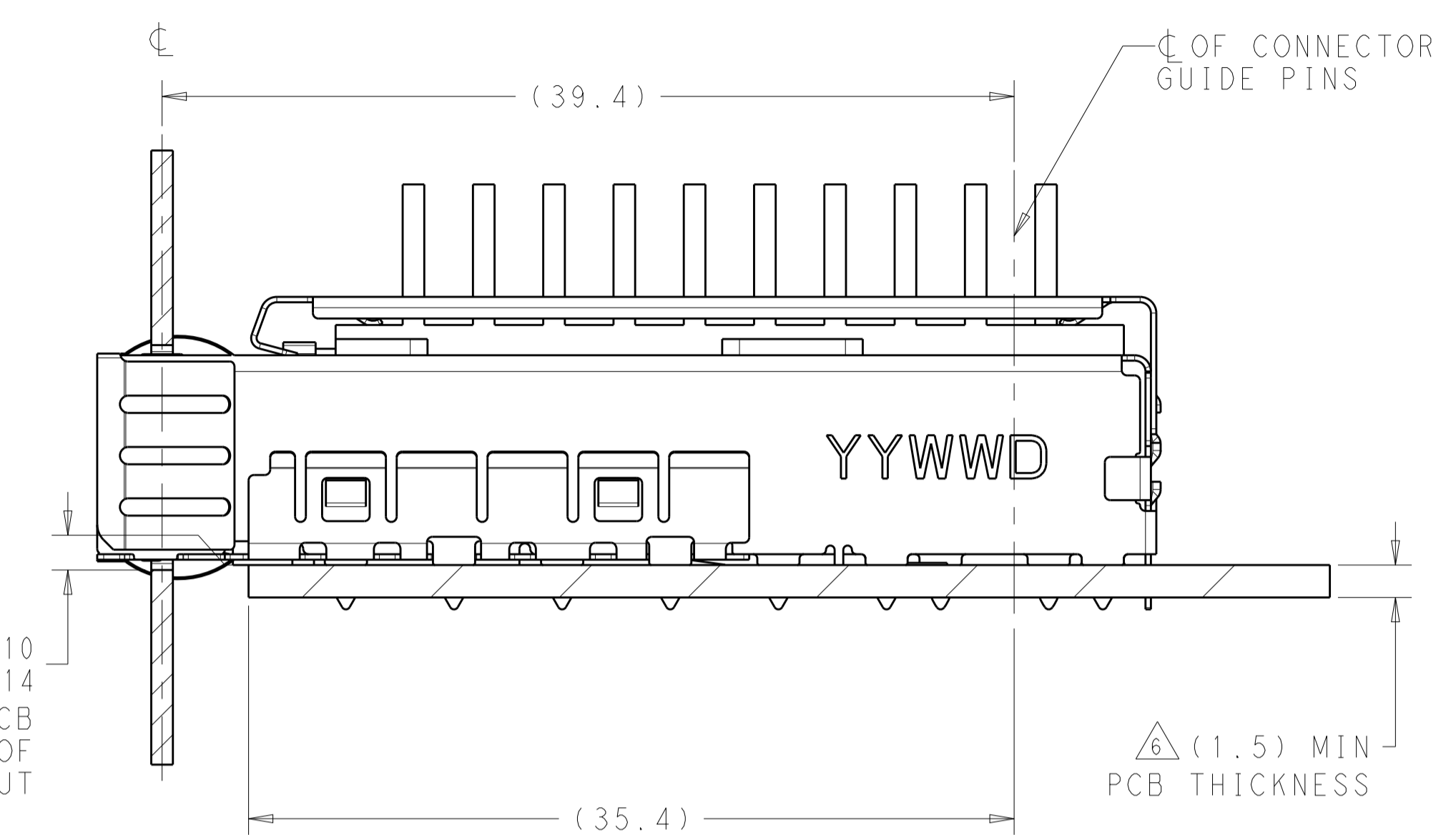
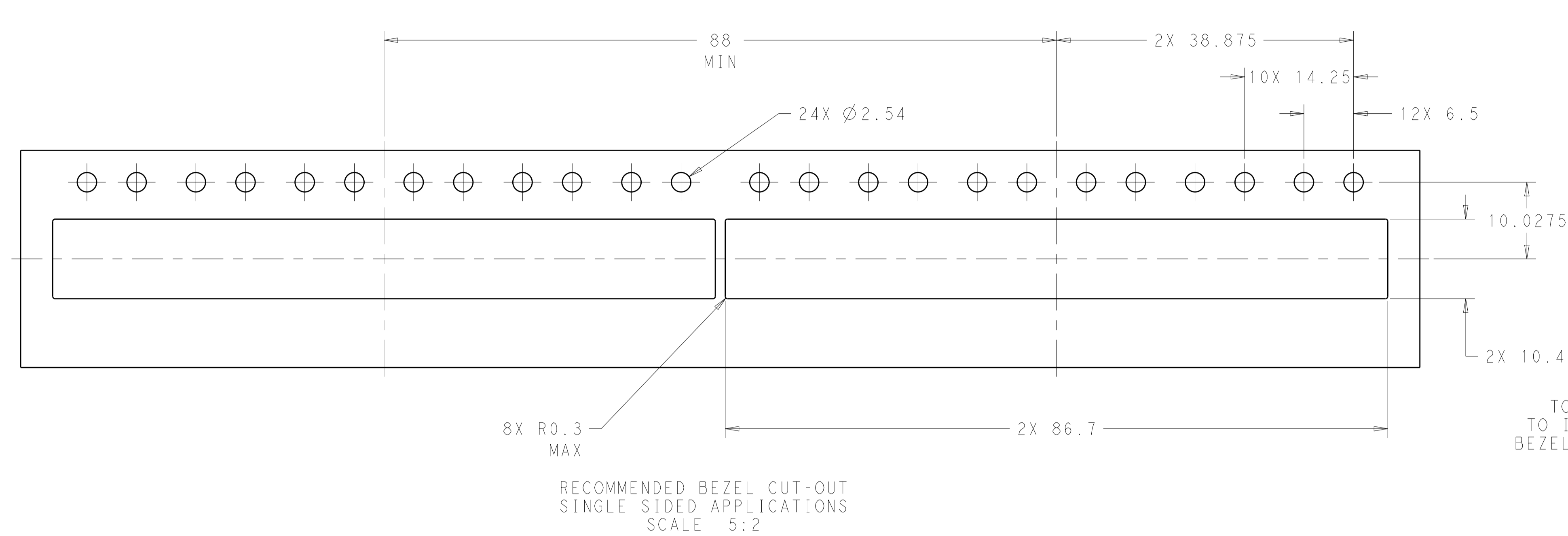


2198235-6,7,8,9 AS SHOWN WITHOUT INSULATING TAPE WITH FIN TYPE HEAT SINK

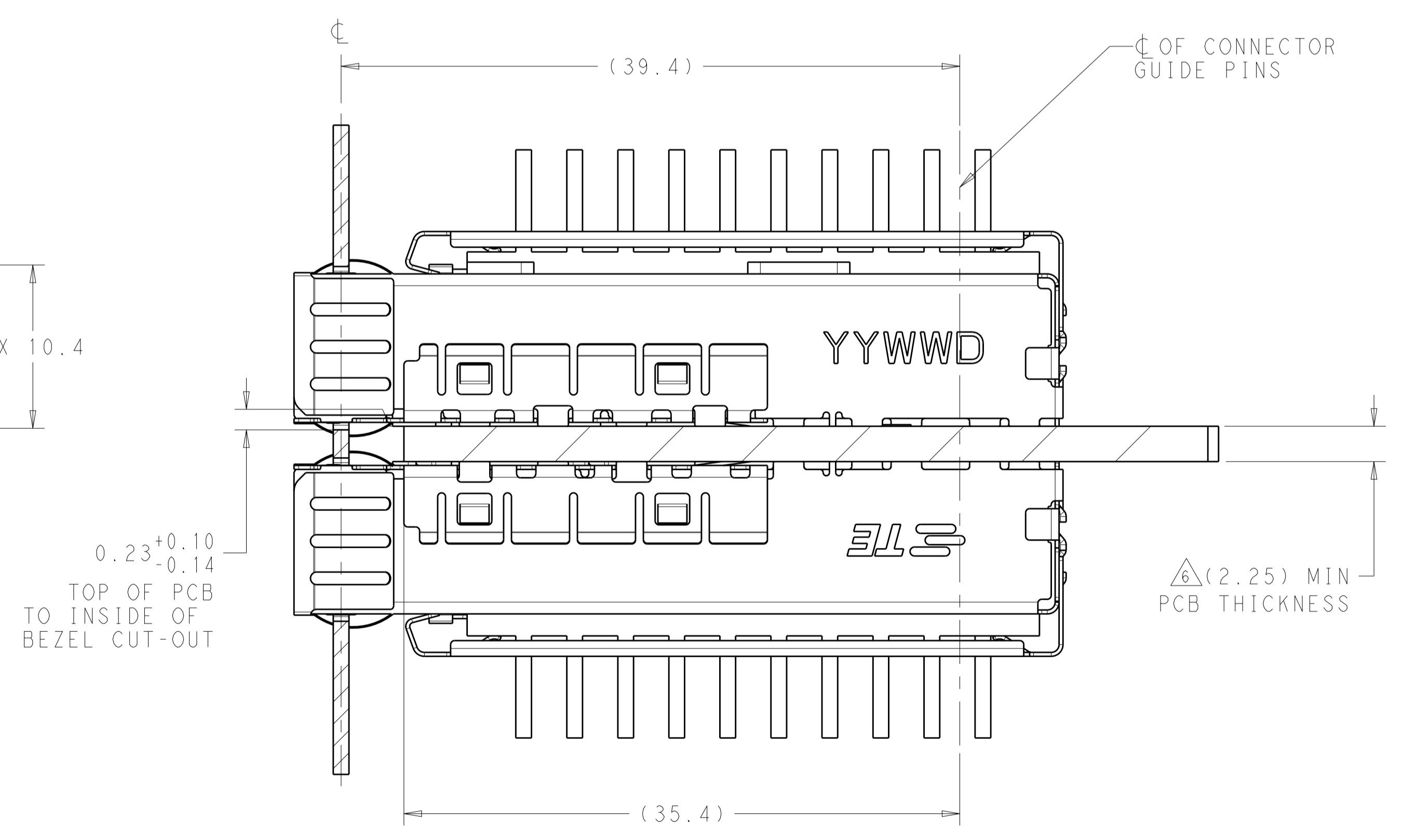
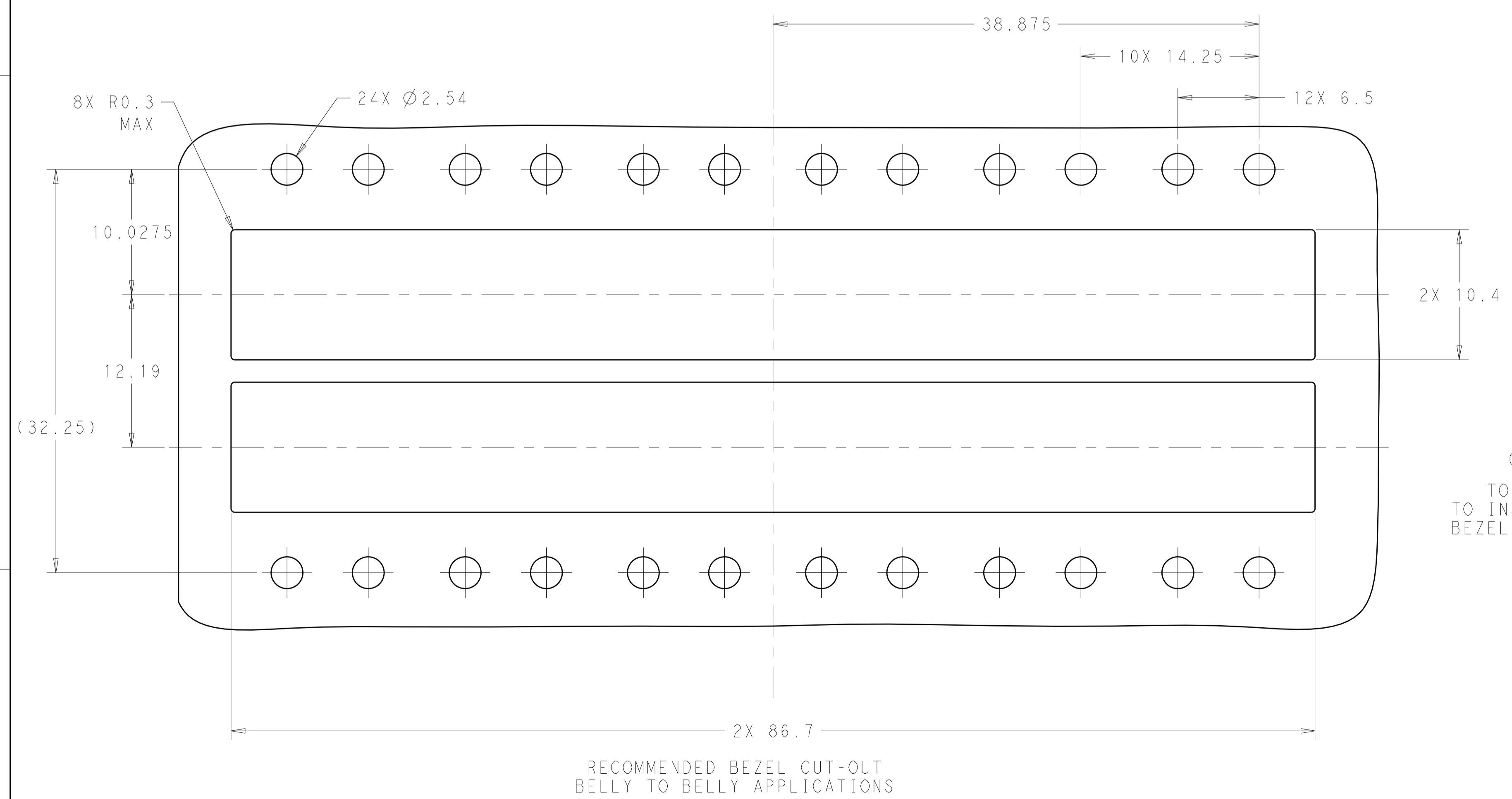
THIS DRAWING IS A CONTROLLED DOCUMENT.		DWN	B. MATTHEWS	15NOV2011	TE Connectivity NAME: SFP+ ENHANCED 1X6 CAGE ASSEMBLY, PRESS FIT, EXTERNAL EMI SPRINGS WITH HEATSINK
DIMENSIONS:		CHK	M. SCHMITT	15NOV2011	
mm		APVD	M. SCHMITT	15NOV2011	
TOLERANCES UNLESS OTHERWISE SPECIFIED: 0 PLC ±0.1 1 PLC ±0.1 2 PLC ±0.1 3 PLC ±0.1 4 PLC ±0.1 ANGLES ±0.1°		PRODUCT SPEC	108-2364	APPLICATION SPEC	
MATERIAL: FINISH:		WEIGHT	114-13120	RESTRICTED TO	
DIMENSIONS: (Symbol) MATERIAL: FINISH:		Customer Drawing	SCALE 4:1	SHEET 2 OF 7	REV B2

LOC	DIST	REV	DATE	BY	APPD
GP	00				

REVISIONS			
NO.	DESCRIPTION	DATE	BY
1	SEE SHEET 1		



2198235
MOUNTED ON PC BOARD
SHOWN THRU RECOMMENDED BEZEL

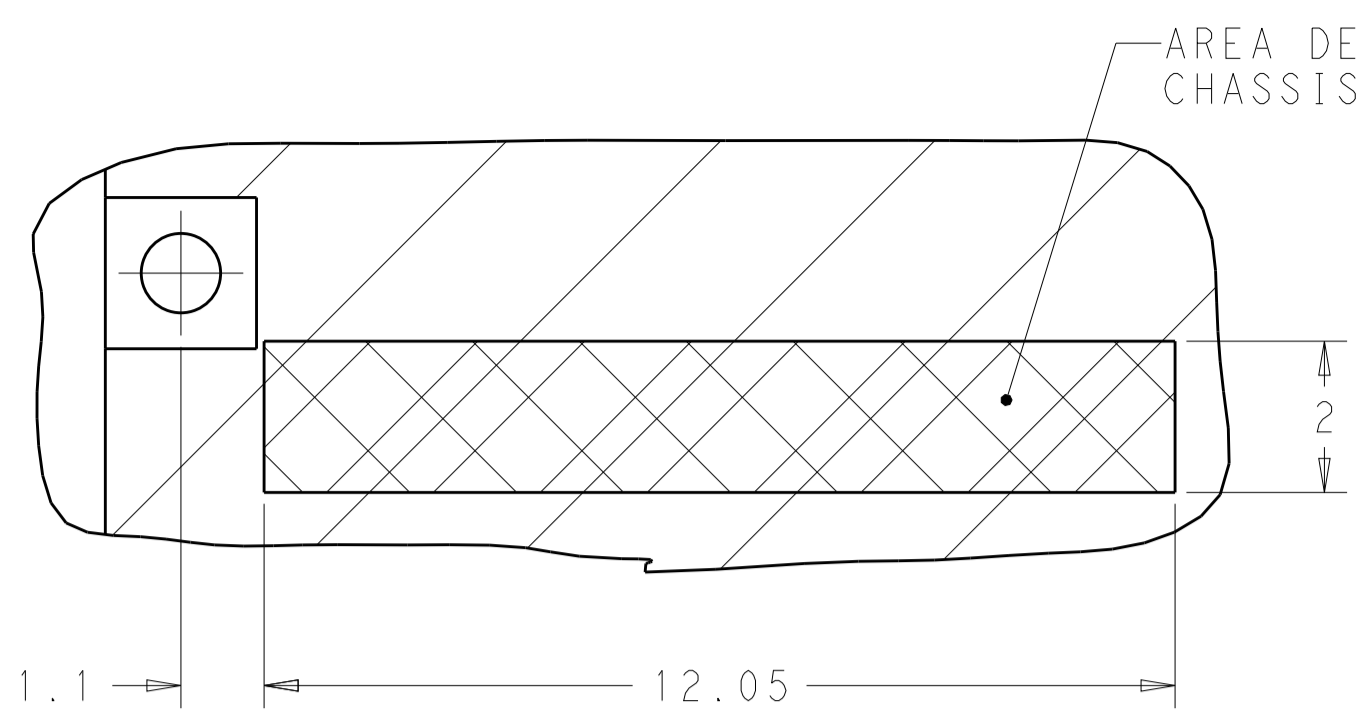


2198235
MOUNTED BELLY TO BELLY ON PC BOARD
SHOWN THRU RECOMMENDED BEZEL

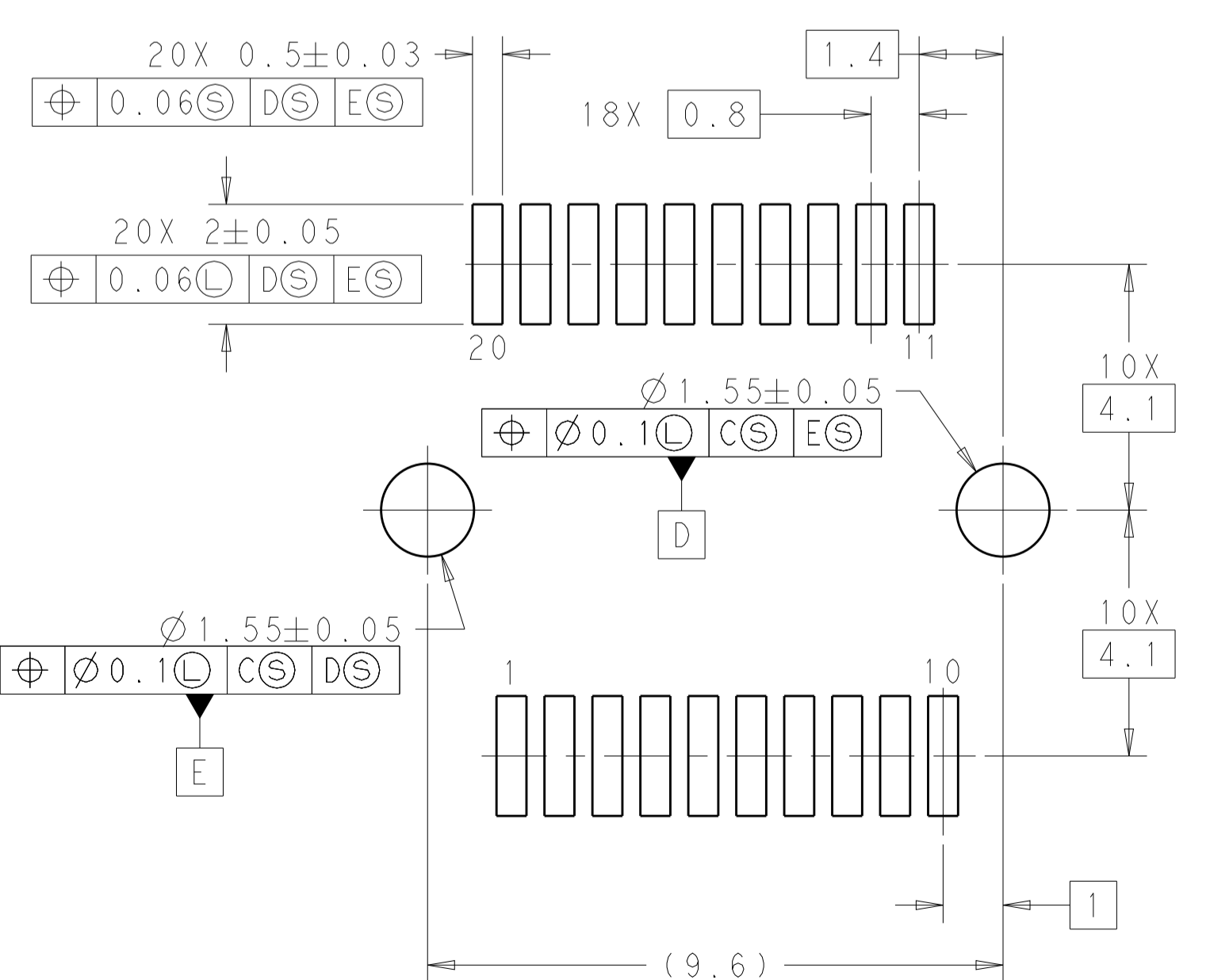
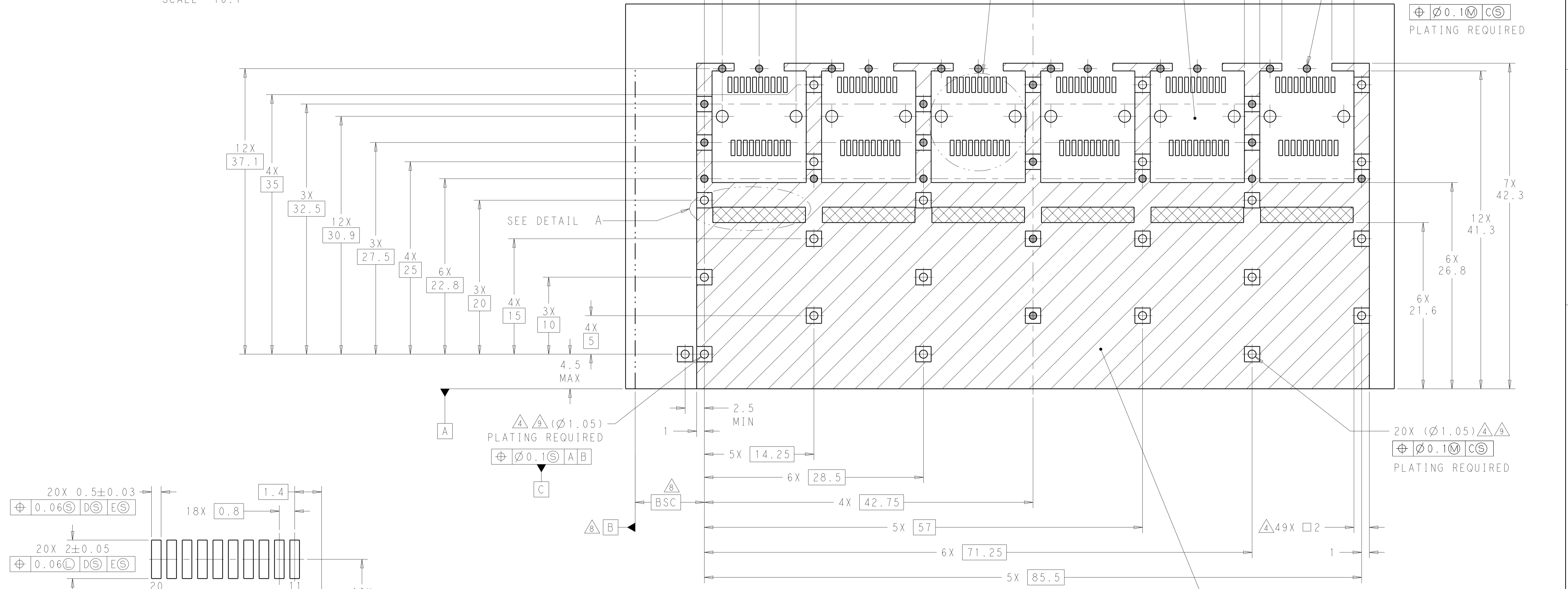
THIS DRAWING IS A CONTROLLED DOCUMENT.		OWN: B. MATTHEWS 15NOV2011	TE Connectivity
DIMENSIONS: mm		CHK: M. SCHMITT 15NOV2011	
TOLERANCES UNLESS OTHERWISE SPECIFIED:		APVD: M. SCHMITT 15NOV2011	NAME: SFP+ ENHANCED 1X6 CAGE ASSEMBLY, PRESS FIT, EXTERNAL EMI SPRINGS WITH HEATSINK PRODUCT SPEC: 108-2364 APPLICATION SPEC: 114-13120
0 PLC ±0.1 1 PLC ±0.1 2 PLC ±0.1 3 PLC ±0.1 4 PLC ±0.1 ANGLES ±1°		WEIGHT: - MATERIAL: - FINISH: -	
MATERIAL:		Customer Drawing	SIZE: A1 CAGE CODE: 00779 DRAWING NO: 2198235 SCALE: 4:1 SHEET: 3 OF 7 REV: B2

LOC	DIST	REV	DATE	BY	APPV
GP	00				

REVISIONS			
NO.	DESCRIPTION	DATE	BY
1	SEE SHEET 1		



DETAIL A
6X INDIVIDUALLY
SCALE 10:1



DETAIL X
RECOMMENDED PT CONNECTOR LAYOUT
6X INDIVIDUALLY
SCALE 10:1

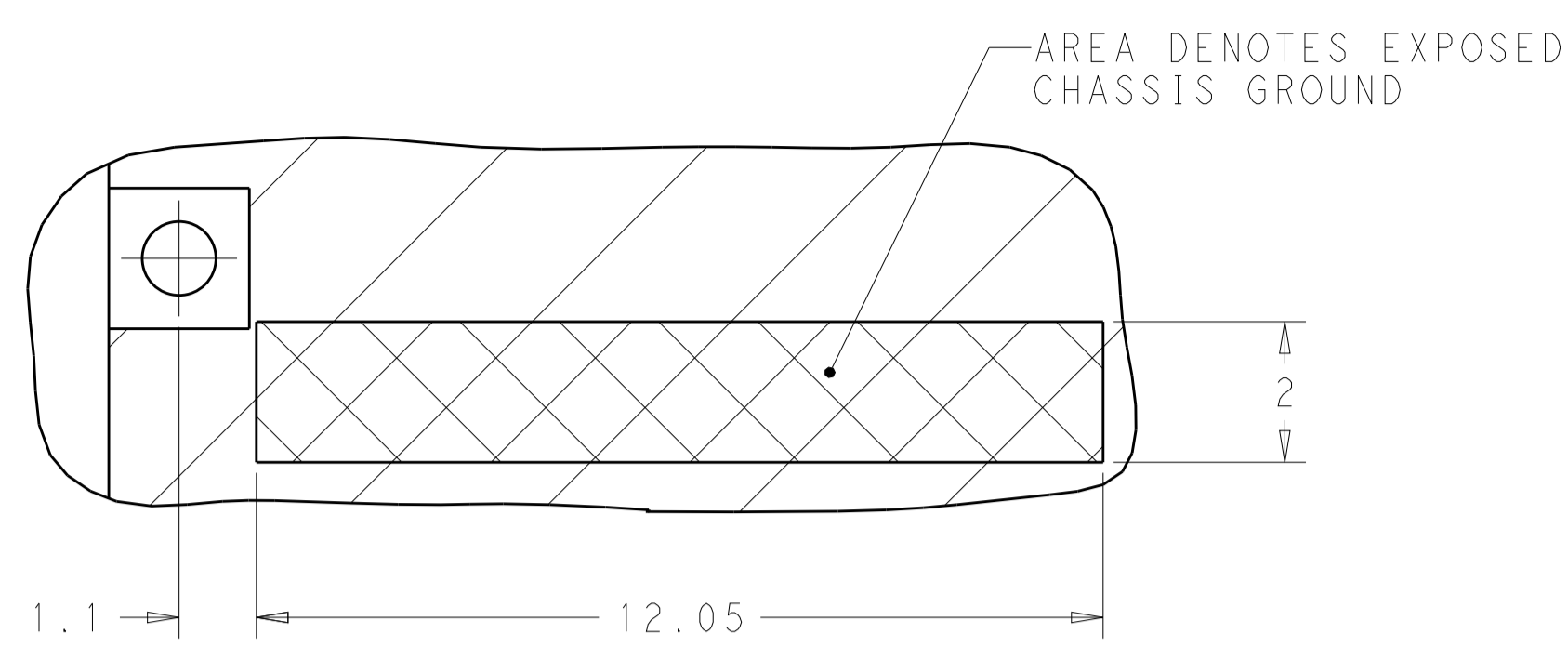
RECOMMENDED PCB CONFIGURATION
WITH KEEP-OUT AREAS
SINGLE SIDED APPLICATIONS
SCALE 4:1

CROSS-HATCHED AREA
DENOTES COMPONENT
AND TRACE KEEP-OUT
(EXCEPT CHASSIS
GROUND)

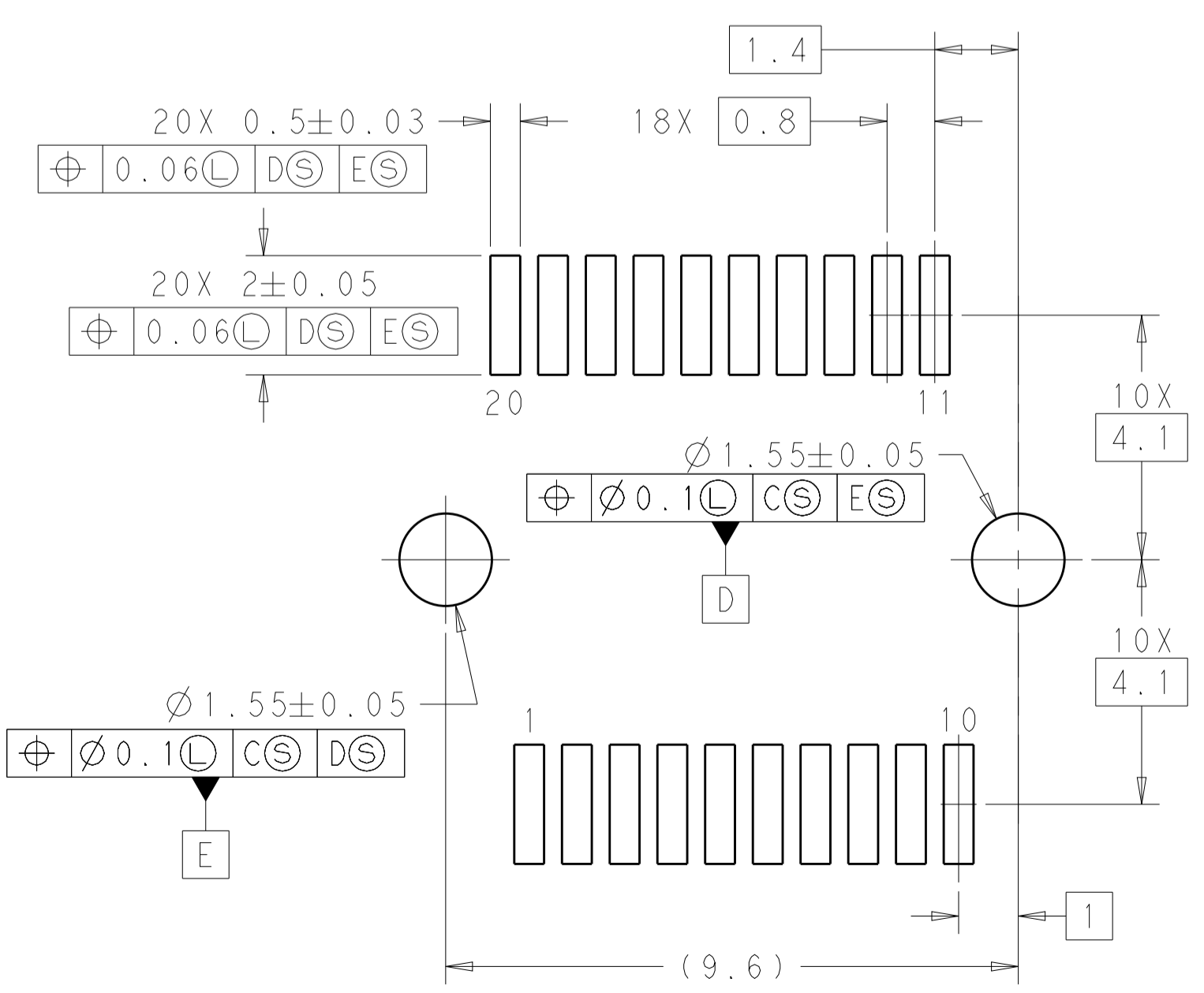
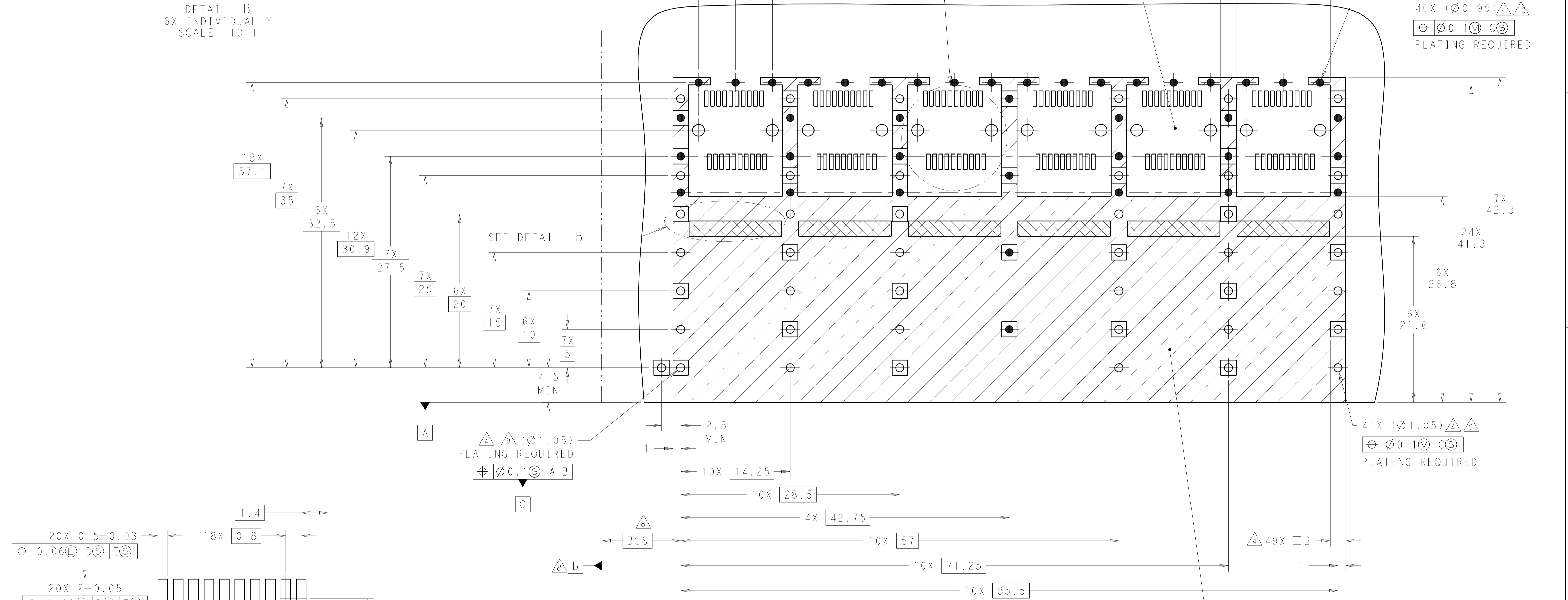
THIS DRAWING IS A CONTROLLED DOCUMENT.		OWN: B. MATTHEWS 15NOV2011	TE Connectivity
DIMENSIONS: mm		CHK: M. SCHMITT 15NOV2011	
TOLERANCES UNLESS OTHERWISE SPECIFIED:		APVD: M. SCHMITT 15NOV2011	NAME: SFP+ ENHANCED 1X6 CAGE ASSEMBLY, PRESS FIT, EXTERNAL EMI SPRINGS WITH HEATSINK PRODUCT SPEC: 108-2364 APPLICATION SPEC: 114-13120
0 PLC ±0.1 1 PLC ±0.1 2 PLC ±0.1 3 PLC ±0.1 4 PLC ±0.1 ANGLES ±1°		WEIGHT: - MATERIAL: - FINISH: -	
MATERIAL: -		Customer Drawing	SIZE: A1 CAGE CODE: - DRAWING NO: 2198235 SCALE: 4:1 SHEET: 4 OF 7 REV: B2

LOC	DIST	REV	DATE	BY	APPV
GP	00				

REVISIONS			
NO.	DESCRIPTION	DATE	BY
-	SEE SHEET 1	-	-



DETAIL B
6X INDIVIDUALLY
SCALE 10:1

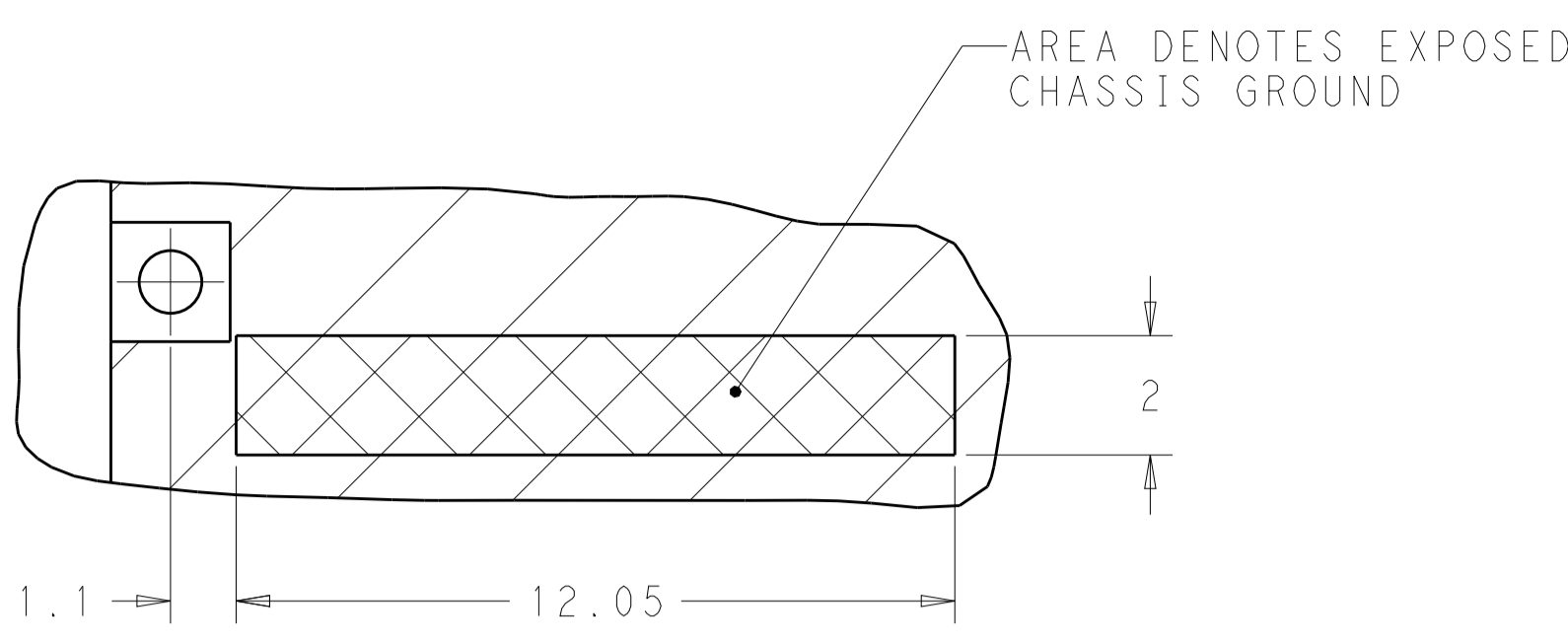


DETAIL Y
RECOMMENDED PT CONNECTOR LAYOUT
12X INDIVIDUALLY
SCALE 10:1

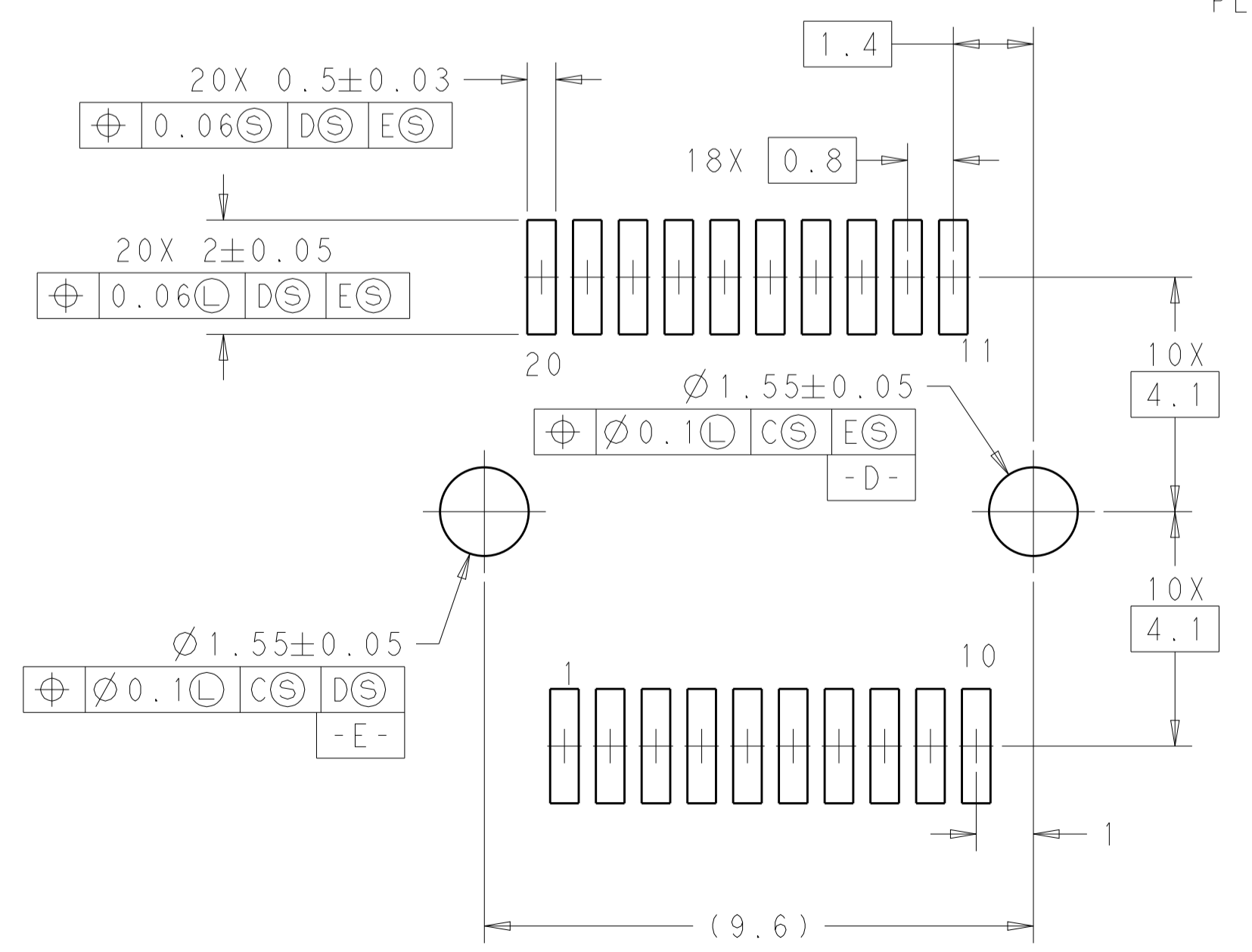
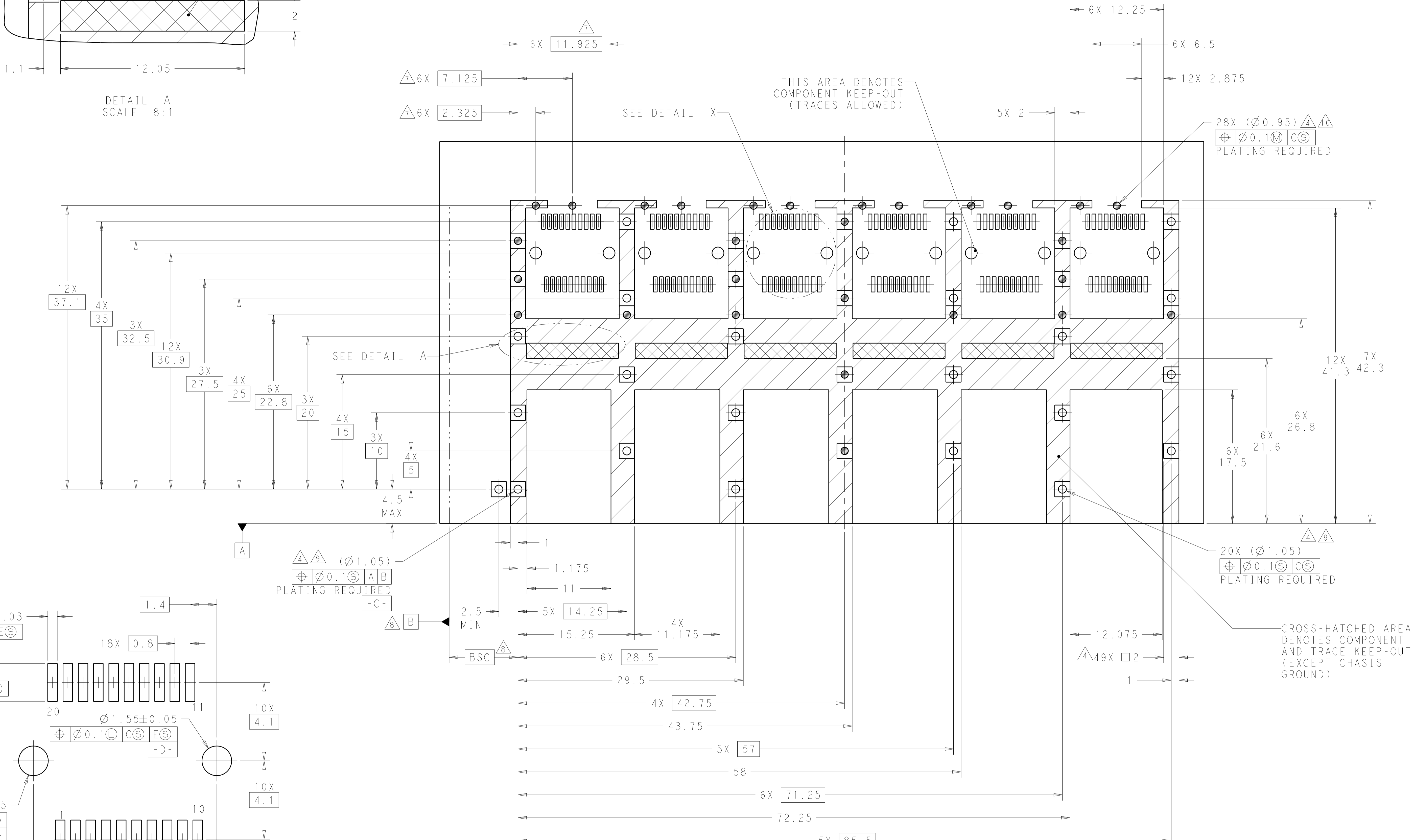
THIS PRINT IS
PRELIMINARY
UNQUALIFIED PRODUCT
CONTACT PRODUCT ENGINEERING
BEFORE USING THIS PRINT

THIS DRAWING IS A CONTROLLED DOCUMENT.		OWN: B. MATTHEWS 15NOV2011	TE Connectivity
DIMENSIONS: mm		CHK: M. SCHMITT 15NOV2011	
TOLERANCES UNLESS OTHERWISE SPECIFIED:		APVD: M. SCHMITT 15NOV2011	NAME: SFP+ ENHANCED 1X6 CAGE ASSEMBLY, PRESS FIT, EXTERNAL EMI SPRINGS WITH HEATSINK PRODUCT SPEC: 108-2364 APPLICATION SPEC: SIZE: 114-13120 WEIGHT: Customer Drawing
0 PLC ±0.1		RESTRICTED TO:	
1 PLC ±0.1		A100779C=2198235	
2 PLC ±0.1		SCALE: 4:1 SHEET 5 OF 7 REV: B2	

LOC	DIST	REVISIONS			
GP	00	REV	DATE	BY	APPV
		1	SEE SHEET 1		



DETAIL A
SCALE 8:1



RECOMMENDED PT CONNECTOR LAYOUT
6X INDIVIDUALLY
DETAIL X
SCALE 10:1

RECOMMENDED PCB CONFIGURATION
WITH KEEP-OUT AREAS
SINGLE SIDED APPLICATIONS
FOR WITH INSULATING TAPE PART

THIS DRAWING IS A CONTROLLED DOCUMENT.		OWN: B. MATTHEWS 15NOV2011	TE Connectivity
DIMENSIONS: mm		CHK: M. SCHMITT 15NOV2011	
TOLERANCES UNLESS OTHERWISE SPECIFIED:		APVD: M. SCHMITT 15NOV2011	NAME: SFP+ ENHANCED 1X6 CAGE ASSEMBLY, PRESS FIT, EXTERNAL EMI SPRINGS WITH HEATSINK PRODUCT SPEC: 108-2364 APPLICATION SPEC: 114-13120 WEIGHT: - Customer Drawing
0 PLC ±0.1 1 PLC ±0.1 2 PLC ±0.1 3 PLC ±0.1 4 PLC ±0.1 ANGLES ±0.1°		SIZE: A100779 CAGE CODE: C=2198235 SCALE: 4:1 SHEET: 6 OF 7 REV: B2	

单击下面可查看定价，库存，交付和生命周期等信息

[>>TE Connectivity\(泰科\)](#)