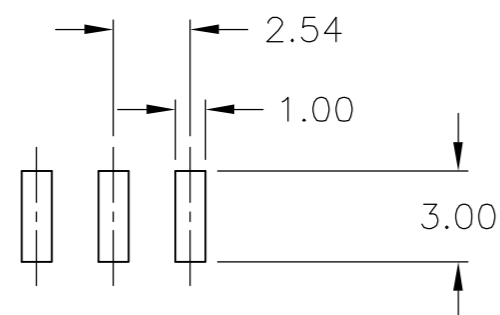
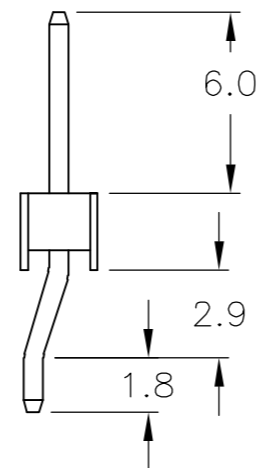
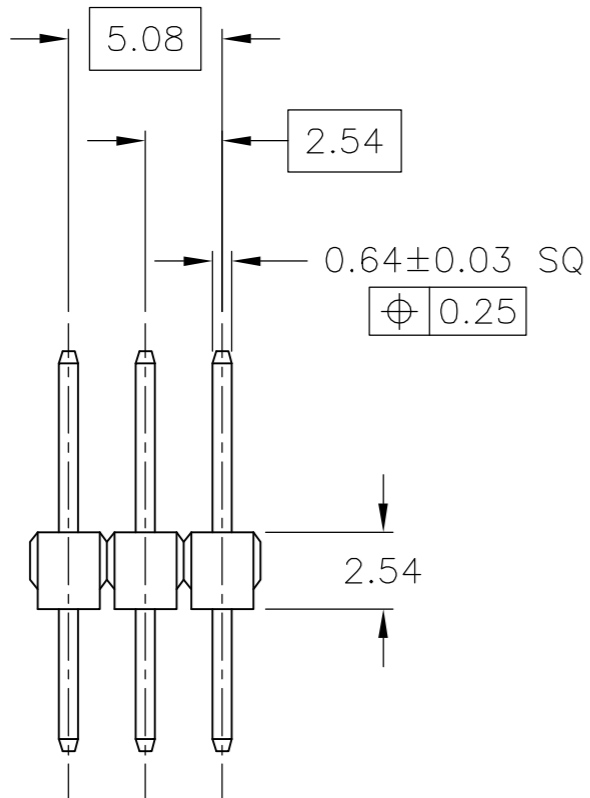
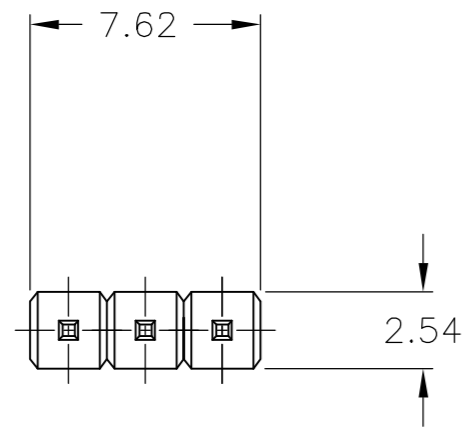


THIS DRAWING IS UNPUBLISHED. RELEASED FOR PUBLICATION  
 © COPYRIGHT BY TYCO ELECTRONICS CORPORATION. ALL RIGHTS RESERVED.

LOC	DIST	REVISIONS			
P	LTR	DESCRIPTION	DATE	DWN	APVD
AD	00	A	RELEASE	05MAY2006	RB JG



RECOMMENDED P.C.B LAYOUT

1 MATERIAL: HOUSING- THERMOPLASTIC UL94V-0  
 CONTACT- COPPER ALLOYS

2. PARTS TO BE PACKAGED IN TAPE AND REEL WITH A PICK AND PLACE CAP.

SPECIFICATIONS

CURRENT: 3A  
 OPERATING TEMPERATURE: -55°C TO +105°C  
 CONTACT RESISTANCE: 20 MILLIOHMS MAX  
 INSULATION RESISTANCE: 1000 MEGOHMS MIN  
 WITHSTANDING VOLTAGE: AC 1000V RMS

1825254-1 AS SHOWN

THIS DRAWING IS A CONTROLLED DOCUMENT.		DWN	R BROWN	05MAY2006	 Tyco Electronics Corporation Harrisburg, PA 17105-3608
DIMENSIONS: mm		CHK	J GESFORD	05MAY2006	
TOLERANCES UNLESS OTHERWISE SPECIFIED:		APVD	J GESFORD	05MAY2006	
0 PLC ± - 1 PLC ± 0.38 2 PLC ± 0.25 3 PLC ± - 4 PLC ± - ANGLES ± - FINISH -		NAME	J GESFORD		
		PRODUCT SPEC	-		
MATERIAL		APPLICATION SPEC	-		
		WEIGHT	-		
		SIZE	A2	CAGE CODE	00779
		DRAWING NO	C=1825254		RESTRICTED TO
		CUSTOMER DRAWING	SCALE	4:1	SHEET 1 of 1
				REV	A

单击下面可查看定价，库存，交付和生命周期等信息

[>>TE Connectivity\(泰科\)](#)