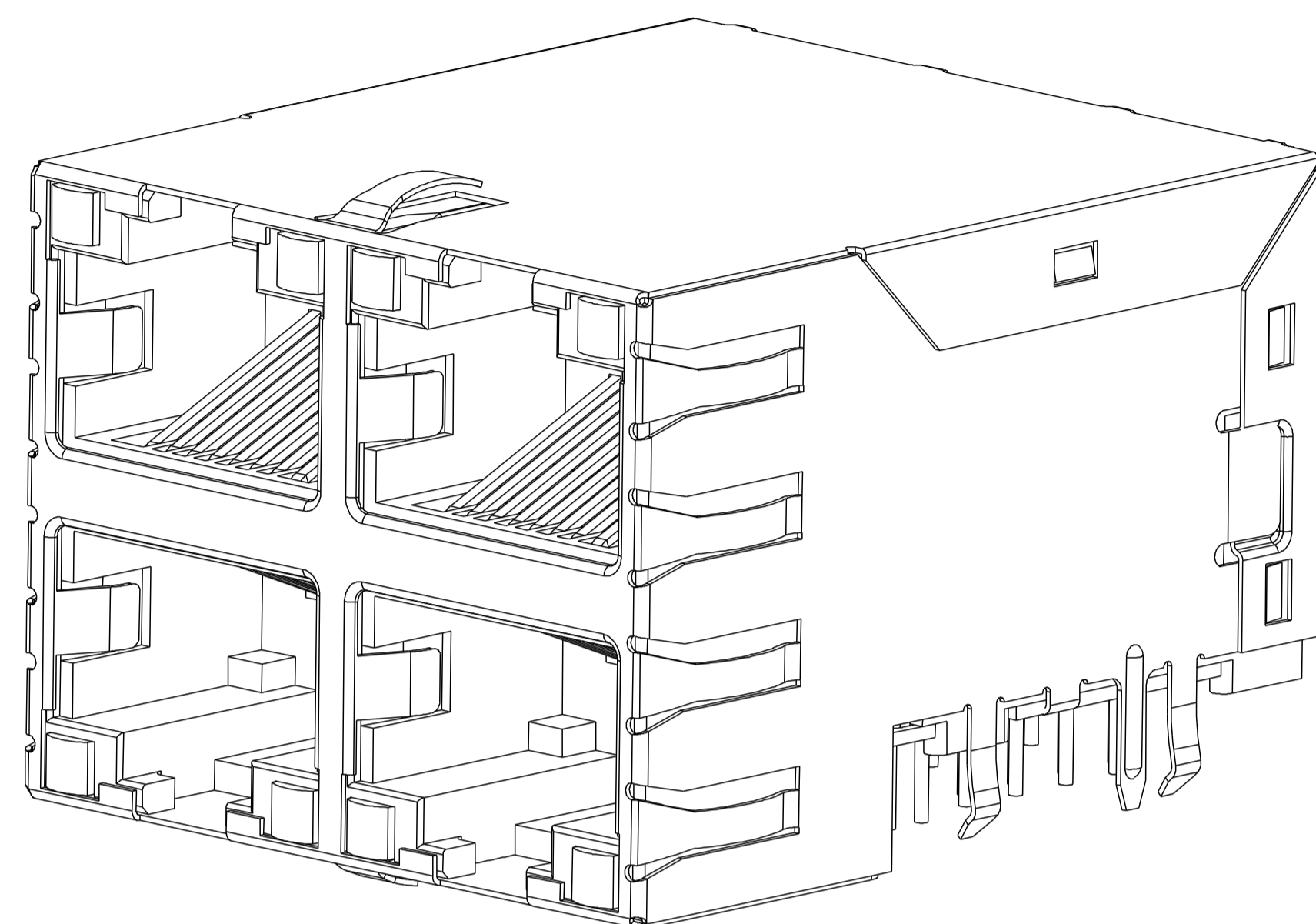


LOC		DIST		REVISIONS			
P	LTR	DESCRIPTION	DATE	DWN	APVD		
A		ECO-12-004301	08MAR2012	PP	KZ		
B		ECO-13-004704	08MAR2013	PP	KZ		



1. MATERIALS:
 - HOUSING: THERMOPLASTIC, BLACK, FLAMMABILITY RATING UL 94V-0.
 - SHIELD: BRASS, PREPLATED WITH 0.76um MIN SEMI-BRIGHT NICKEL, POST DIPPED WITH 2.54um MIN SAC SOLDER ON SOLDER TAILS.
 - CONTACTS: PHOSPHOR BRONZE, PLATED WITH 1.27um MIN OVERALL NICKEL UNDERPLATE, SELECTIVE 1.27um MIN GOLD AT MATING INTERFACE AND 2.54um MIN MATTE TIN ON SOLDER TAILS.

2. ISOLATION VOLTAGE: 2250VDC(MAX) FOR 60 SECONDS WITH A RISE TIME OF 500V/SEC BETWEEN RJ SIDE AND THE SHIELD.

3. PART NUMBER, DATE CODE AND COUNTRY OF ORIGIN ARE LOCATED IN THE APPROXIMATE AREA SHOWN. DATE CODE YY IS YEAR, WW IS WORK WEEK, D IS DAY OF WEEK WITH SUNDAY = 1.

4. TE CONNECTIVITY LOGO AND AGENCY APPROVAL LOGO ARE LOCATED IN THE APPROXIMATE AREA SHOWN.

5. RJ45 CAVITIES CONFORM TO FCC RULES AND REGULATION PART 68 SUBPART F.

6. LEDS ARE DRIVEN WITH CONSTANT CURRENT AT APPROX 20 mA
 LED COLOR: DOMINANT WAVELENGTH (λD): GREEN 568 nm TYP @ IF=20 mA
 FORWARD VOLTAGE (VF): GREEN 2.2V TYP @ IF=20 mA
 DOMINANT WAVELENGTH (λD): YELLOW 588 nm TYP @ IF=20 mA
 FORWARD VOLTAGE (VF): YELLOW 2.1V TYP @ IF=20 mA

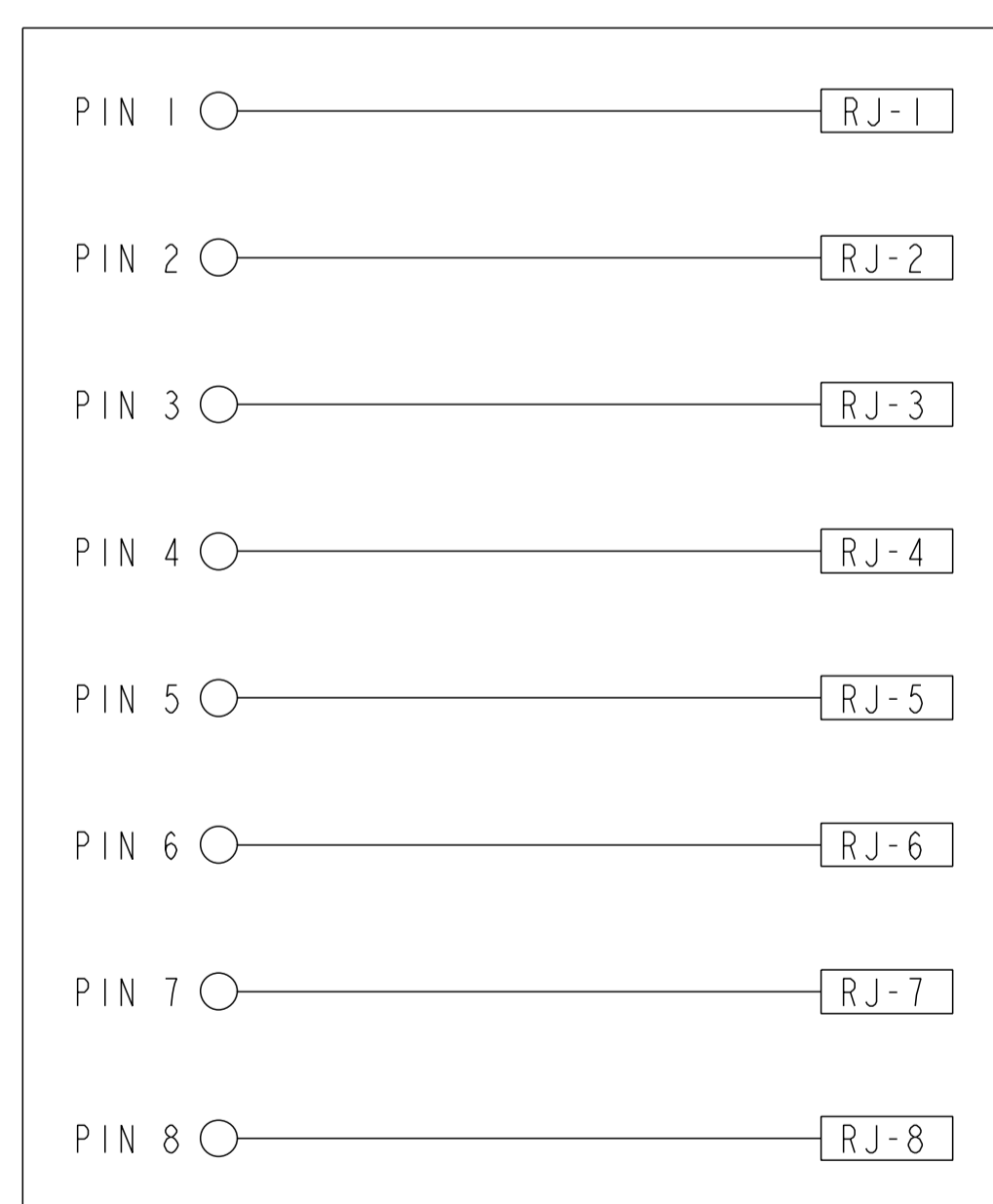
7. DATUM AND BASIC DIMENSION ESTABLISHED BY CUSTOMER.

8. BASIC DIMENSION ESTABLISHED BY CUSTOMER, BUT MAY NOT BE GREATER THAN 19.4

9. OPERATING TEMPERATURE: FROM 0 °C TO 70 °C.

10. THE PART IS RECOMMENDED FOR WAVE SOLDERING PROCESS, PEAK TEMPERATURE 265 °C MAX, 10 SECONDS MAX.

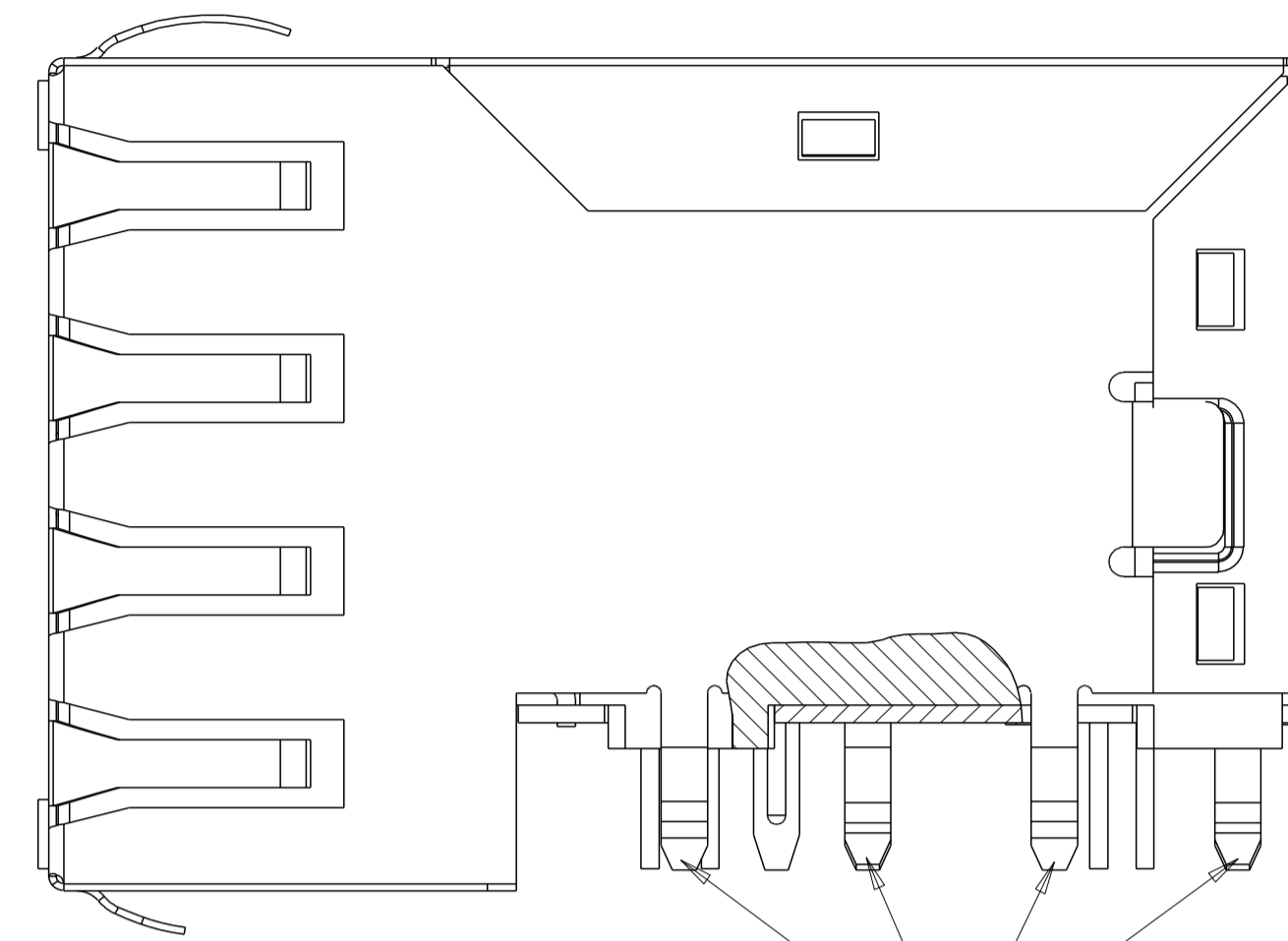
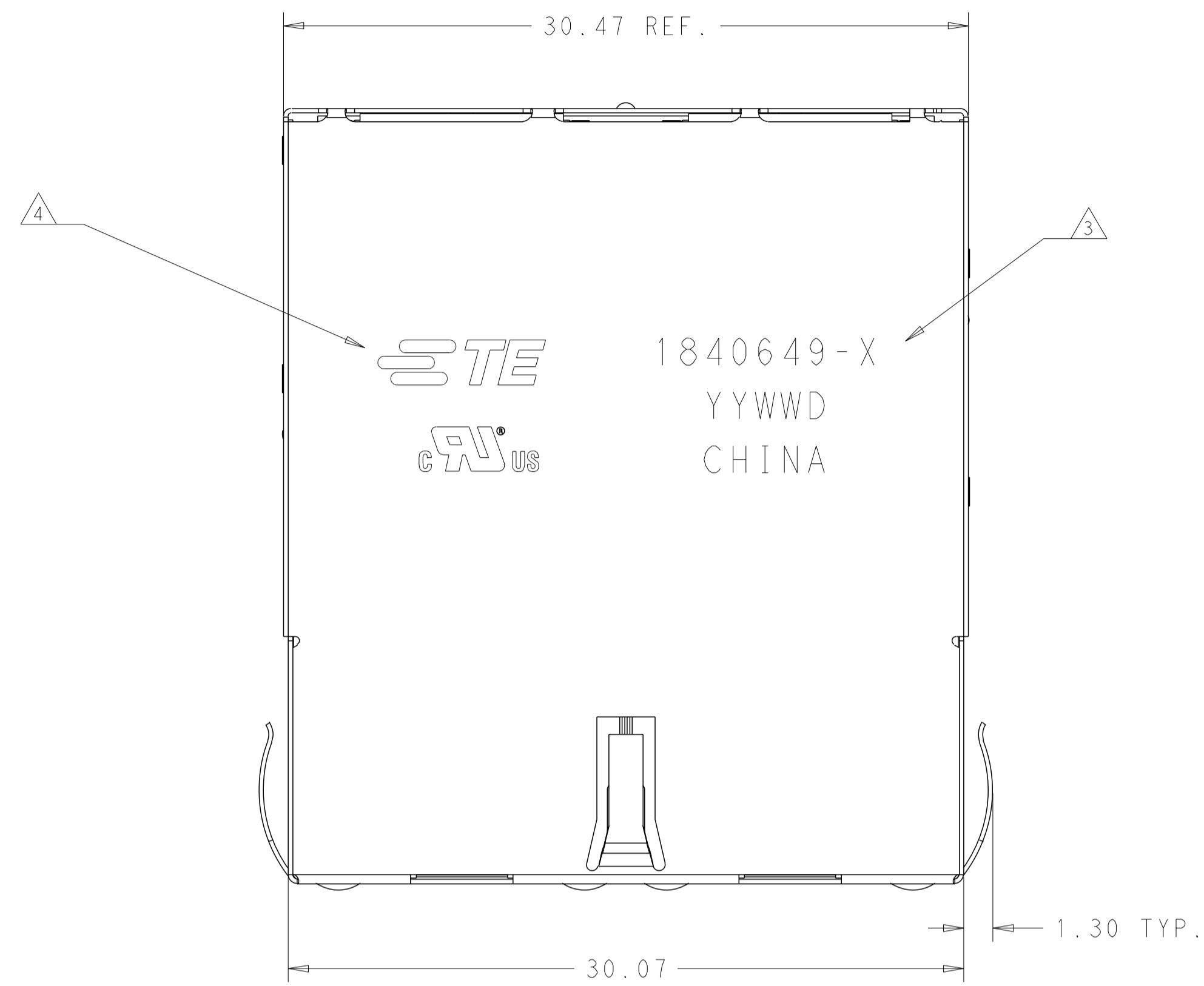
THROUGH CIRCUIT 2



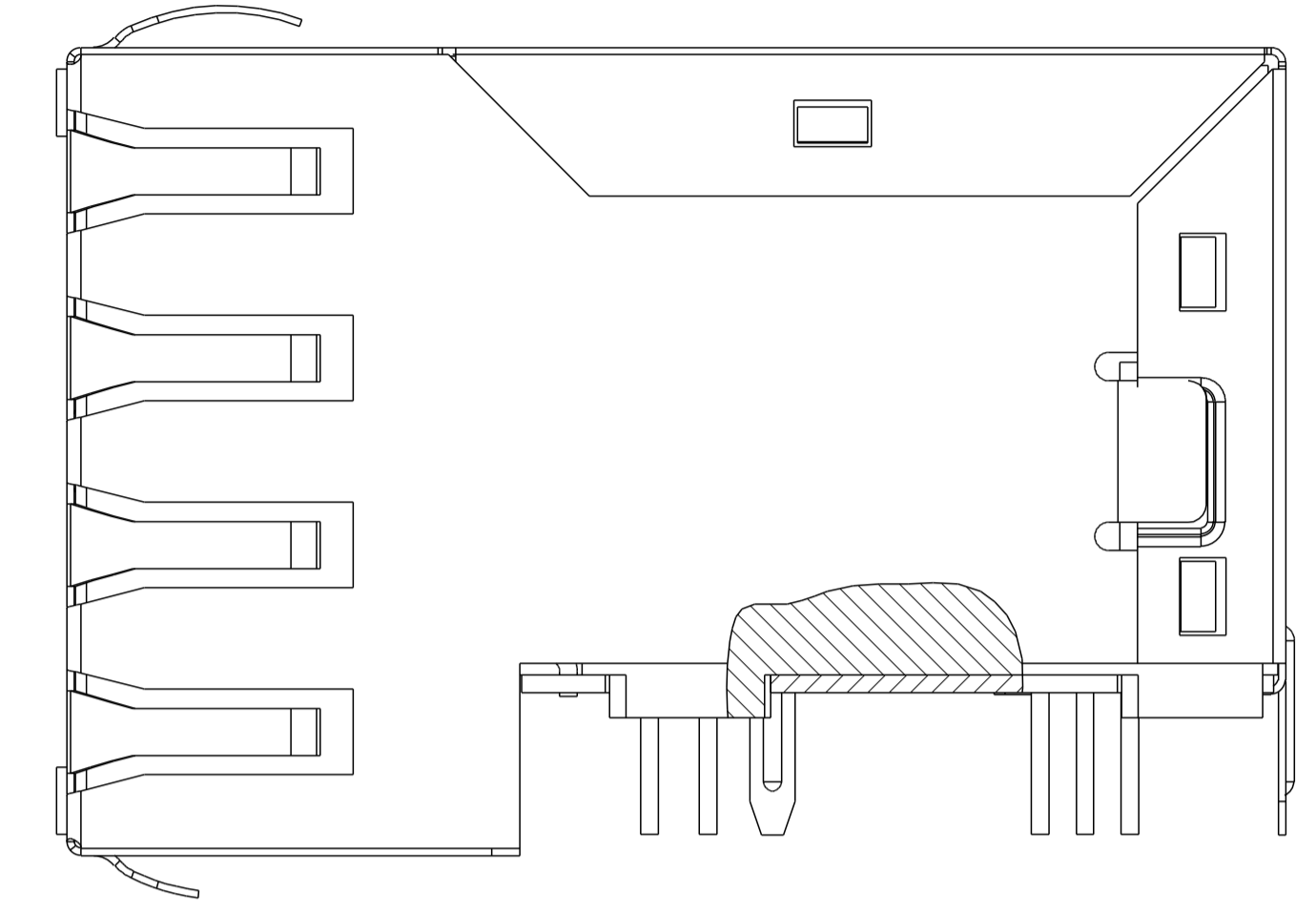
WITHOUT	WITHOUT	GREEN/YELLOW	GREEN/YELLOW	GREEN/YELLOW	GREEN/YELLOW	1-1840649-4
WITH	WITH	GREEN/YELLOW	GREEN/YELLOW	GREEN/YELLOW	GREEN/YELLOW	1840649-4
BENDED GROUND TAB HOLE	BENDED GROUND TAB	BOTTOM LED 2	BOTTOM LED 1	TOP LED 2	TOP LED 1	PART NUMBER

THIS DRAWING IS A CONTROLLED DOCUMENT.		DWN 09AUG2011 PAUL PENG/SEAN HE		NAME	
DIMENSIONS:		CHK 09AUG2011 QUENTIN LIU		STE TE Connectivity	
mm		APVD 09AUG2011 LIJUN RAO		PRODUCT SPEC	
TOLERANCES UNLESS OTHERWISE SPECIFIED:		APPLICATION SPEC		SIZE CAGE CODE DRAWING NO	
0 PLC	±0.25	108-104004		A 100779 1840649	
1 PLC	±0.25	MATERIAL		RESTRICTED TO	
2 PLC	±0.25	FINISH		CUSTOMER DRAWING	
3 PLC	±0.25	MATERIAL		SCALE 2:1 SHEET 1 OF 4 REV B	
4 PLC	±0.25	MATERIAL		SCALE 2:1 SHEET 1 OF 4 REV B	
ANGLES	±	MATERIAL		SCALE 2:1 SHEET 1 OF 4 REV B	
FINISH	±	MATERIAL		SCALE 2:1 SHEET 1 OF 4 REV B	

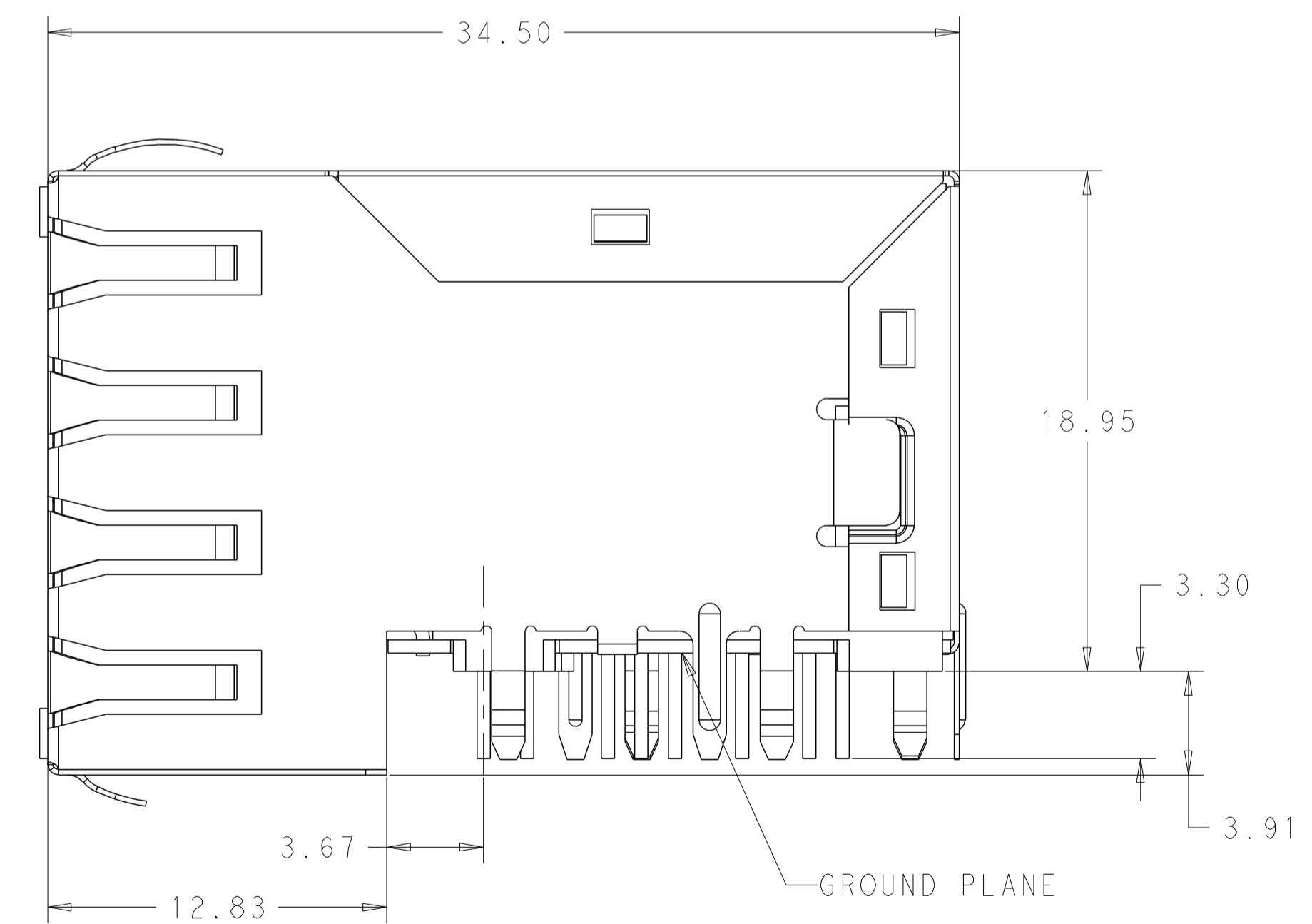
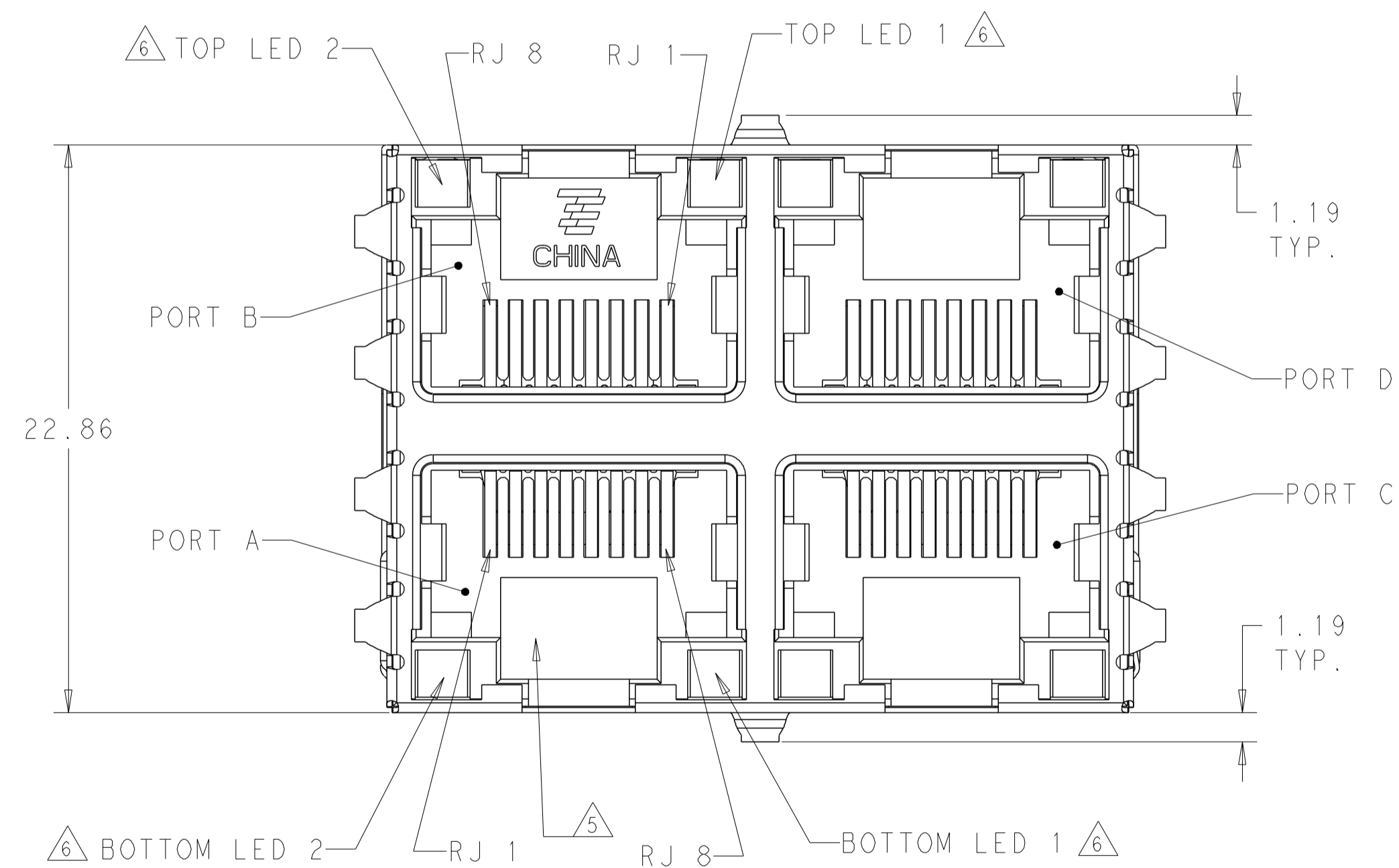
LOC	DIST	REVISIONS			
P	LTR	DESCRIPTION	DATE	DWN	APVD
-	-	SEE SHEET 1	-	-	-



BENDED GROUND TAB
 VIEW FOR WITH BENDED GROUND TAB

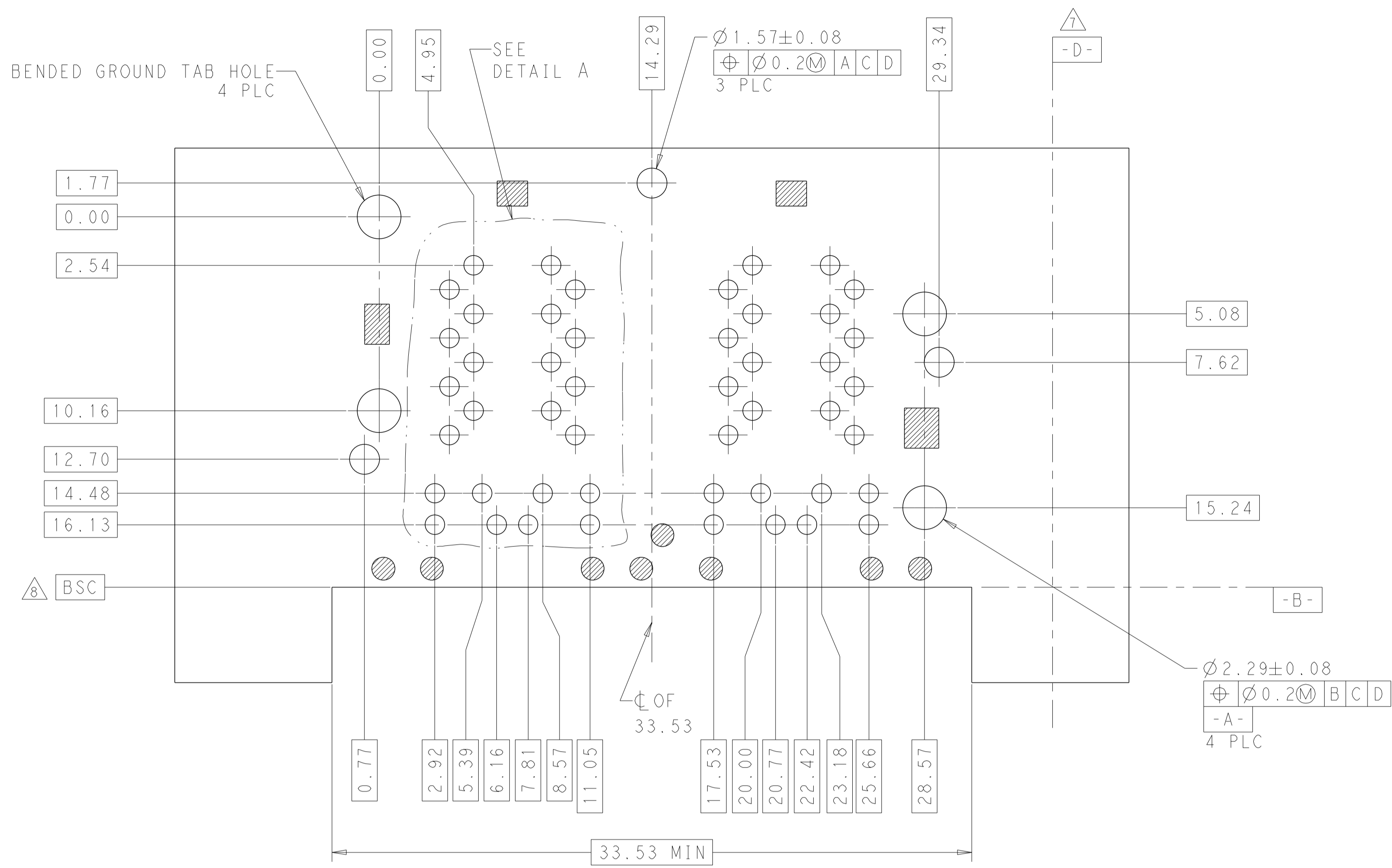


VIEW FOR WITHOUT BENDED GROUND TAB

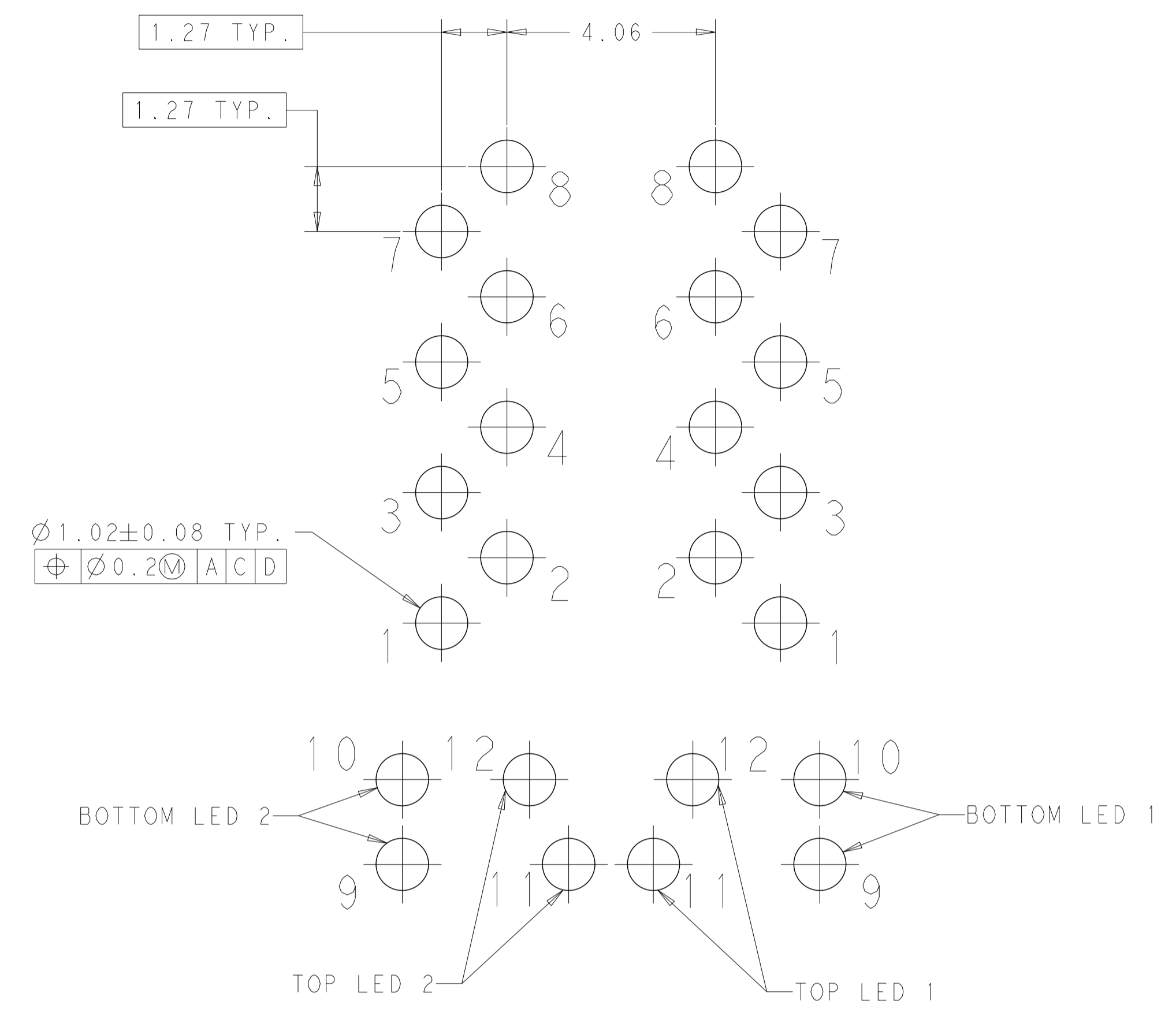


THIS DRAWING IS A CONTROLLED DOCUMENT.		DWN 09AUG2011 PAUL PENG/SEAN HC	TE Connectivity
DIMENSIONS:		CHK 09AUG2011 QUENTIN LIU	
mm	TOLERANCES UNLESS OTHERWISE SPECIFIED:	APVD 09AUG2011 LIJUN RAO	NAME 2X2 RJ45(TM) OFFSET THROUGH CIRCUIT WITH LED'S SHIELDED WAVE PANEL GROUND TABS
0 PLC ±0.25	1 PLC ±0.25	PRODUCT SPEC	SIZE CAGE CODE DRAWING NO
2 PLC ±0.25	3 PLC ±0.25	APPLICATION SPEC	A 100779 1840649
4 PLC ±	ANGLES	WEIGHT	CUSTOMER DRAWING
MATERIAL	FINISH	SCALE 2:1	SHEET 2 OF 4 REV B

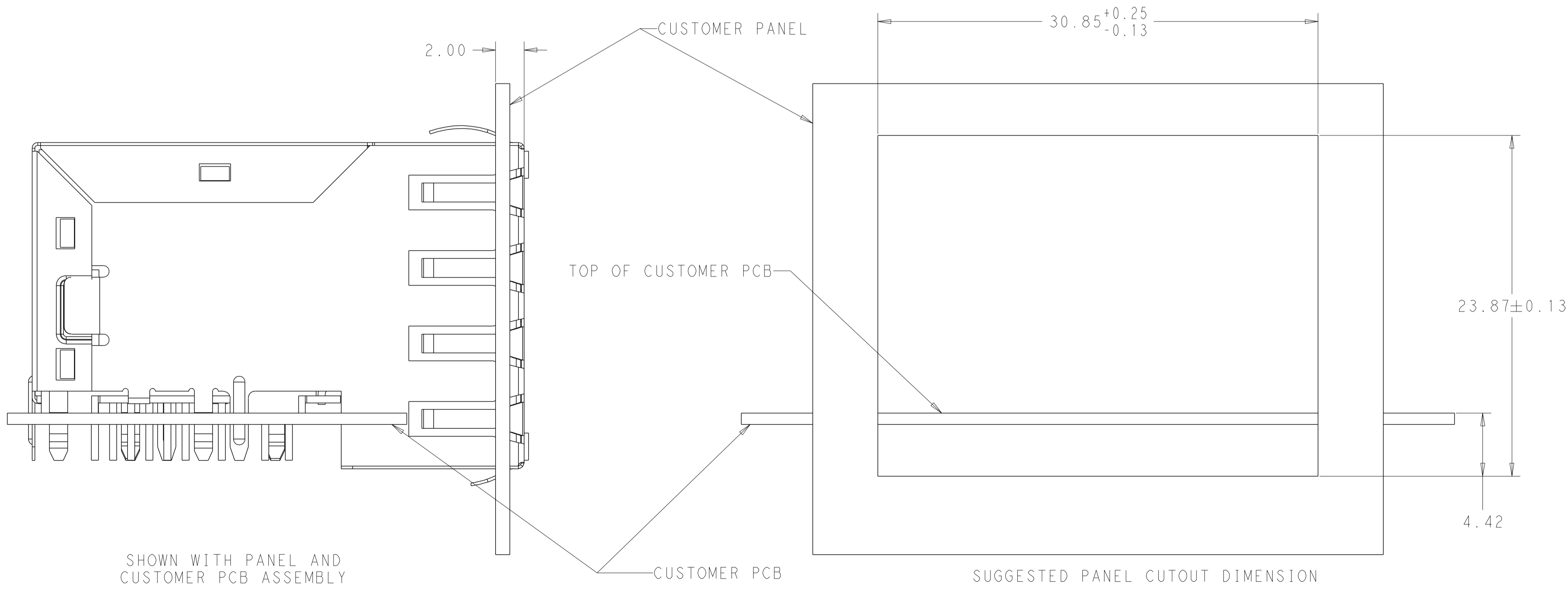
LOC		DIST		REVISIONS				
P	LTR	DATE	BY	APPD	DESCRIPTION	DATE	BY	APPD
-	-	-	-	-	SEE SHEET 1	-	-	-



RECOMMENDED PCB LAYOUT (TOL:0.08)
 COMPONENT SIDE VIEW

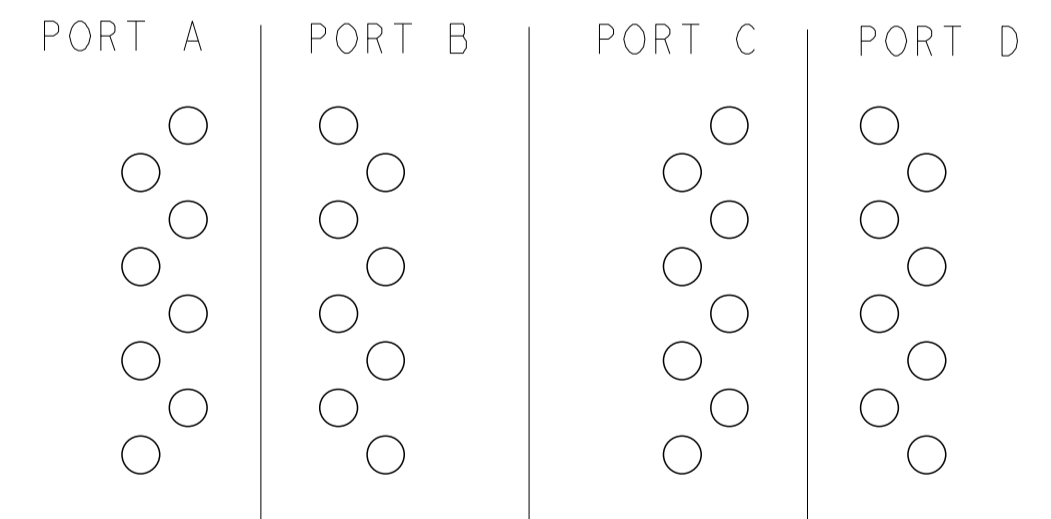


DETAIL A
 SCALE 12:1

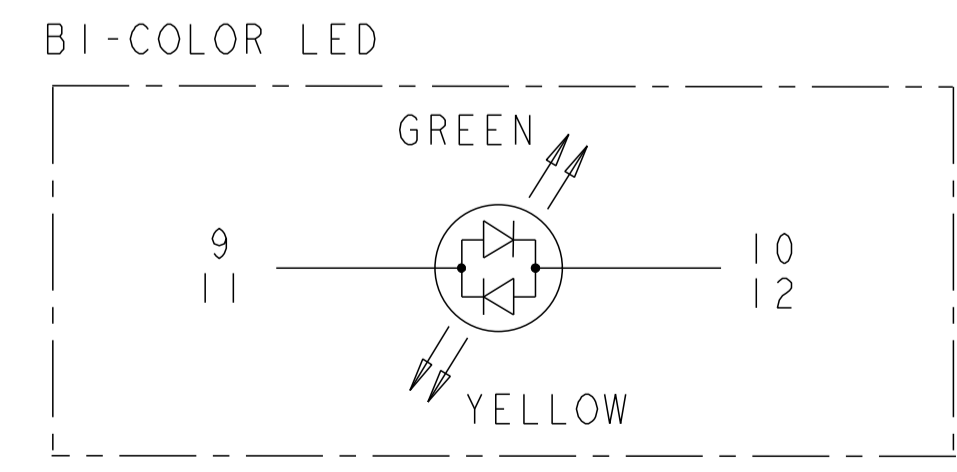


SHOWN WITH PANEL AND
 CUSTOMER PCB ASSEMBLY

SUGGESTED PANEL CUTOUT DIMENSION



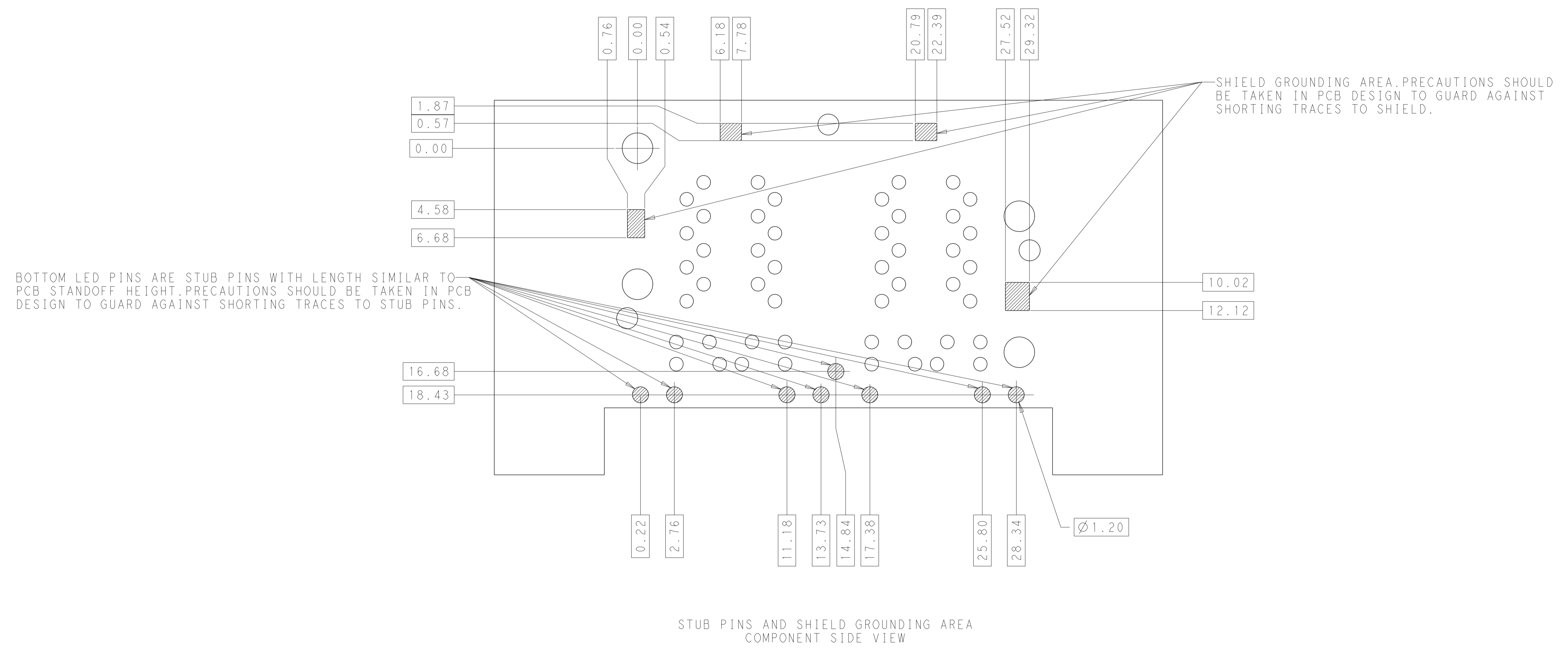
PORT ASSIGNMENT
 COMPONENT SIDE VIEW



BI-COLOR LED

THIS DRAWING IS A CONTROLLED DOCUMENT.		DWG 09AUG2011 PAUL PENG/SEAN HC		TE Connectivity	
DIMENSIONS:		CHK 09AUG2011 QUENTIN LIU			
mm		APVD 09AUG2011 LIJUN RAO		NAME 2X2 RJ45(TM) OFFSET THROUGH CIRCUIT WITH LED'S SHIELDED WAVE PANEL GROUND TABS	
TOLERANCES UNLESS OTHERWISE SPECIFIED:		PRODUCT SPEC		SIZE CAGE CODE DRAWING NO	
0 PLC ±0.25		APPLICATION SPEC		A100779C-1840649	
1 PLC ±0.25		MATERIAL		RESTRICTED TO	
2 PLC ±0.25		FINISH		SCALE 2:1 SHEET 3 OF 4 REV B	
3 PLC ±0.25		CUSTOMER DRAWING			
4 PLC ±0.25					
ANGLES					
FINISH					

LOC	DIST	REVISIONS				
P	LTR	DESCRIPTION	DATE	DWN	APVD	
AA	00	SEE SHEET 1	-	-	-	



STUB PINS AND SHIELD GROUNDING AREA
 COMPONENT SIDE VIEW

THIS DRAWING IS A CONTROLLED DOCUMENT.		DWN PAUL PENG/SEAN HE	09AUG2011	STE TE Connectivity																							
DIMENSIONS: mm		CHK QUENTIN LIU	09AUG2011																								
TOLERANCES UNLESS OTHERWISE SPECIFIED:		APVD LIJUN RAO	09AUG2011	NAME 2X2 RJ45(TM) OFFSET THROUGH CIRCUIT WITH LED'S SHIELDED WAVE PANEL GROUND TABS																							
<table border="1"> <tr><td>0</td><td>PLC</td><td>±0.25</td></tr> <tr><td>1</td><td>PLC</td><td>±0.25</td></tr> <tr><td>2</td><td>PLC</td><td>±0.25</td></tr> <tr><td>3</td><td>PLC</td><td>±0.25</td></tr> <tr><td>4</td><td>PLC</td><td>±0.25</td></tr> <tr><td colspan="2">ANGLES</td><td>±</td></tr> <tr><td colspan="2">FINISH</td><td>-</td></tr> </table>		0	PLC	±0.25	1	PLC	±0.25	2	PLC	±0.25	3	PLC	±0.25	4	PLC	±0.25	ANGLES		±	FINISH		-	PRODUCT SPEC	SIZE A1	CAGE CODE 100779	DRAWING NO 1840649	RESTRICTED TO
0	PLC	±0.25																									
1	PLC	±0.25																									
2	PLC	±0.25																									
3	PLC	±0.25																									
4	PLC	±0.25																									
ANGLES		±																									
FINISH		-																									
MATERIAL		WEIGHT		CUSTOMER DRAWING		SCALE 2:1	SHEET 4	OF 4	REV B																		

单击下面可查看定价，库存，交付和生命周期等信息

[>>TE Connectivity\(泰科\)](#)