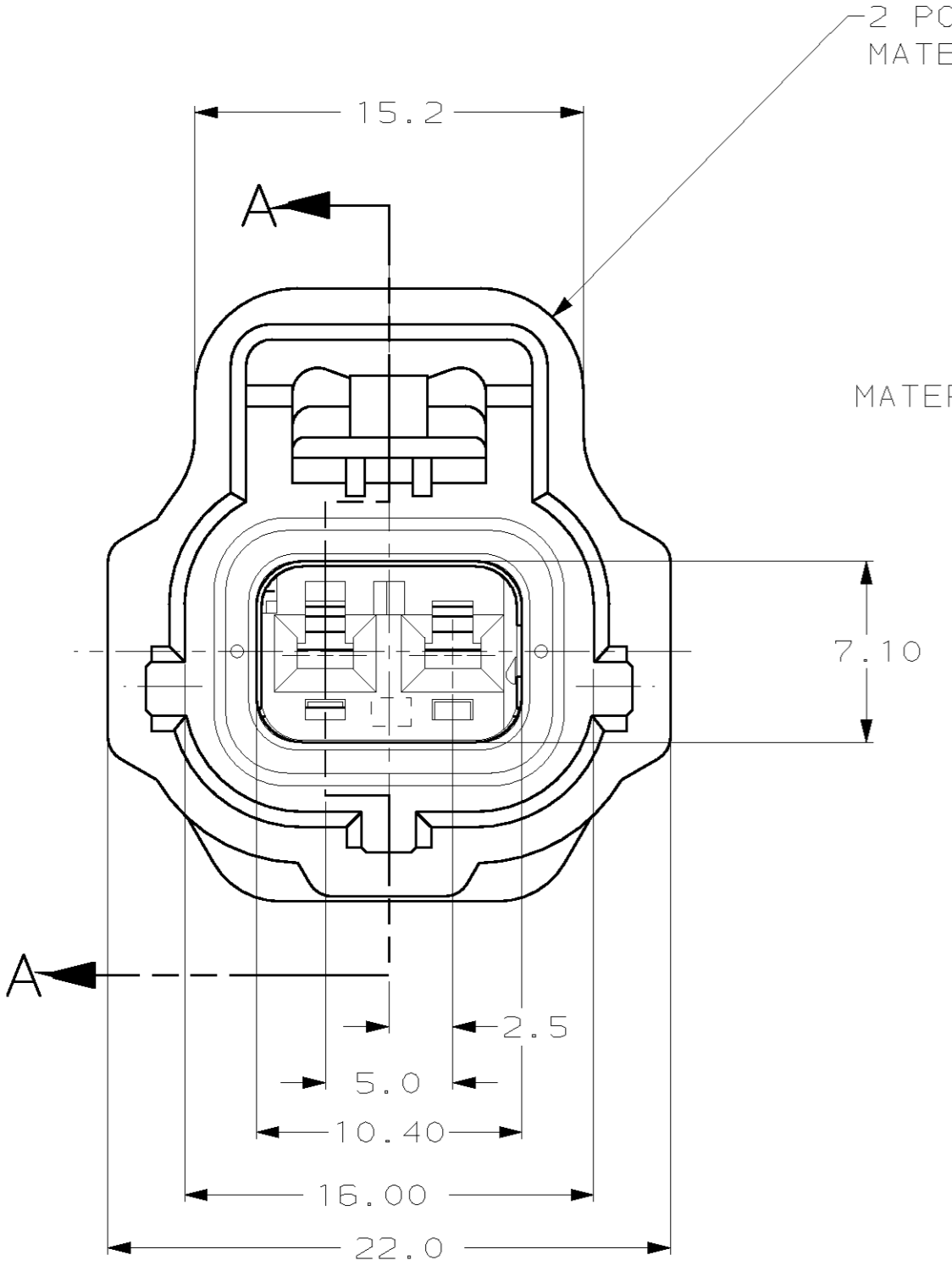
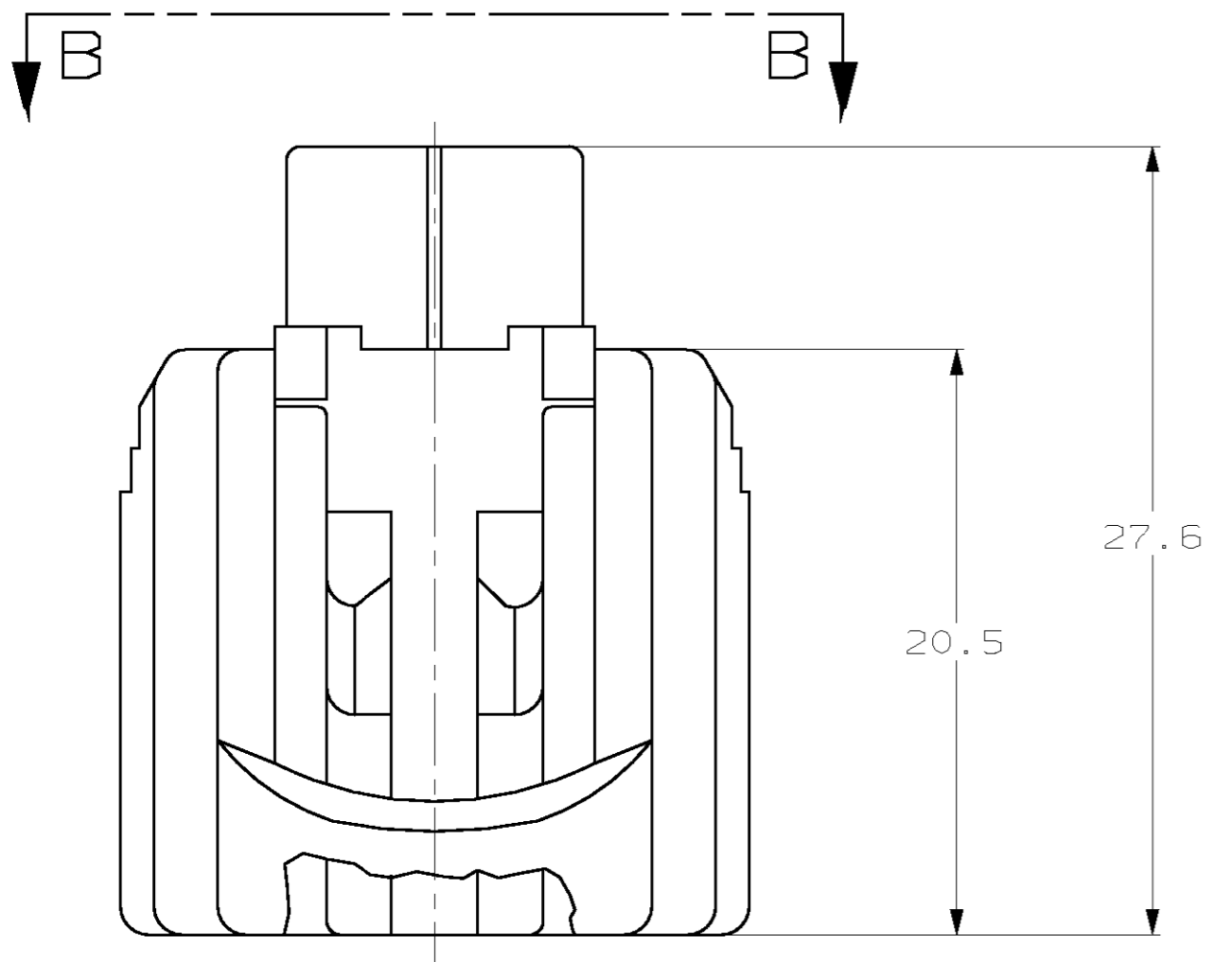


THIS DRAWING IS UNPUBLISHED. RELEASED FOR PUBLICATION .19  
 (C) COPYRIGHT 19 BY AMP INCORPORATED. ALL RIGHTS RESERVED.

LOC		DIST		REVISIONS			
P	LTR	DESCRIPTION	DATE	DWN	APVD		
G	16	0	RELEASED, WAS 95-4072-99-2	-	-	-	
		A	REV PER ECN 0K50-0003-96	08/14/96	KW	JK	
		B	REV PER EC# 0K40-0140-00	7-10-00	PC	GI	

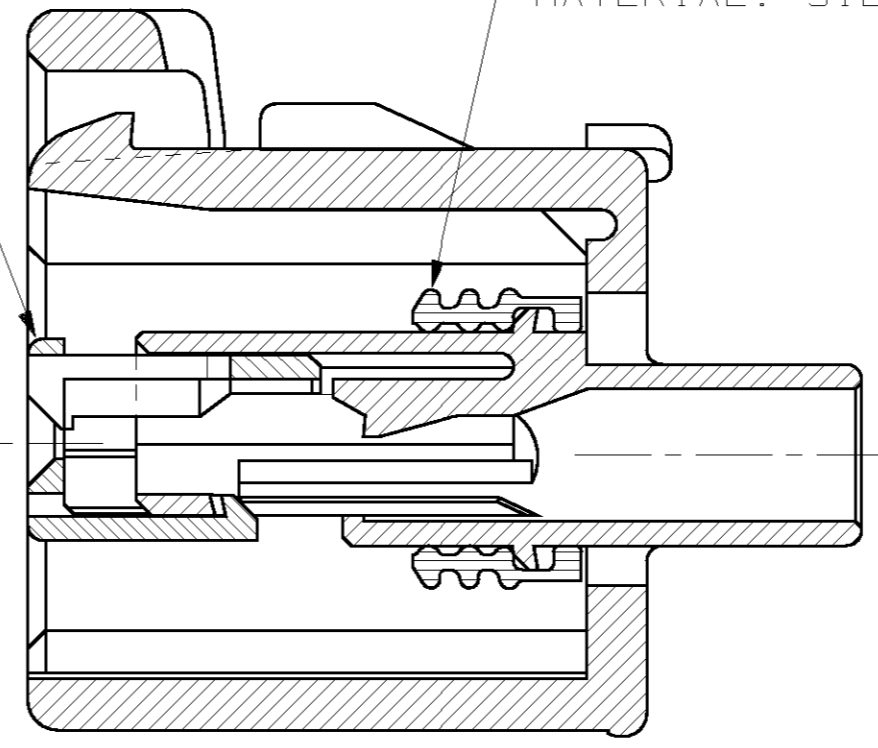


KEYING TYPE B

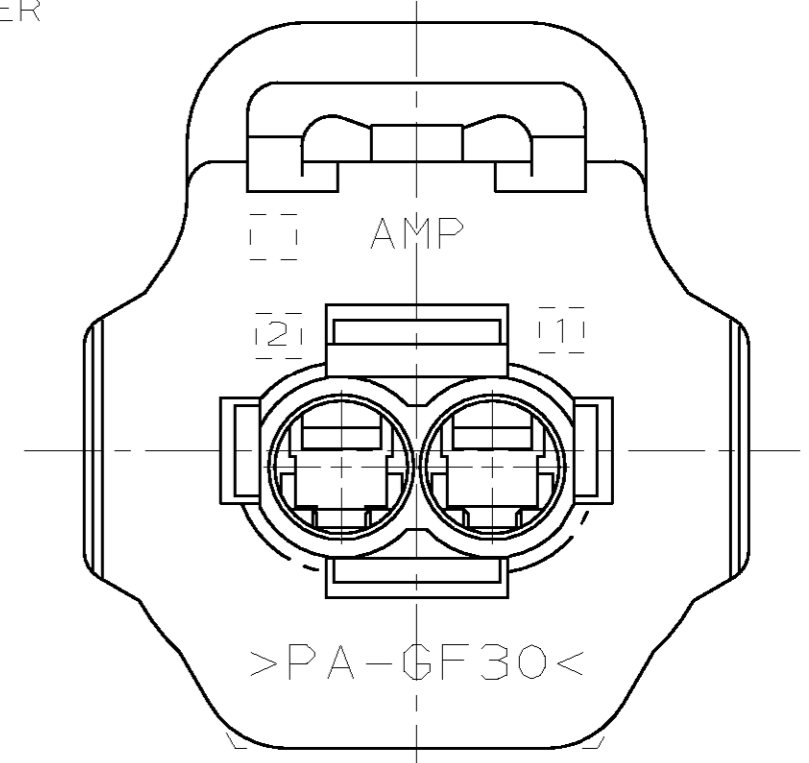
2 POSN PLUG  
 MATERIAL: 4/6 NYLON, 30% GLASS FILLED

2 POSN. DOUBLE LOCK PLATE  
 MATERIAL: PBT, 15% GLASS FILLED

SEAL RING  
 MATERIAL: SILICONE RUBBER



SECTION A-A



VIEW B-B

THIS DRAWING IS A CONTROLLED DOCUMENT FOR AMP INCORPORATED. IT IS SUBJECT TO CHANGE AND THE CONTROLLING ENGINEERING ORGANIZATION SHOULD BE CONTACTED FOR THE LATEST REVISION.

DIMENSIONS:	TOLERANCES UNLESS OTHERWISE SPECIFIED:
mm	
	0 PLC ±-
	1 PLC ±0.30
	2 PLC ±0.15
	3 PLC ±-
	4 PLC ±-
	ANGLES ±1°
MATERIAL	FINISH

DWN	KD LYTLE	01/05/96
CHK	EJ OSWANDEL	01/11/96
APVD	EJ OSWANDEL	01/11/96
PRODUCT SPEC		
APPLICATION SPEC		
WEIGHT		
CUSTOMER DRAWING		

BLACK	184214-1
PLUG COLOR	PART NO
<b>AMP</b>	AMP Incorporated Harrisburg, PA 17105-3608
1 X 2 PLG ASY KEY B-C4	
SIZE	CAGE CODE
A2	00779
DRAWING NO	C=184214
SCALE	SHEET
4:1	1 OF 1
REV	B

184214

A

单击下面可查看定价，库存，交付和生命周期等信息

[>>TE Connectivity\(泰科\)](#)