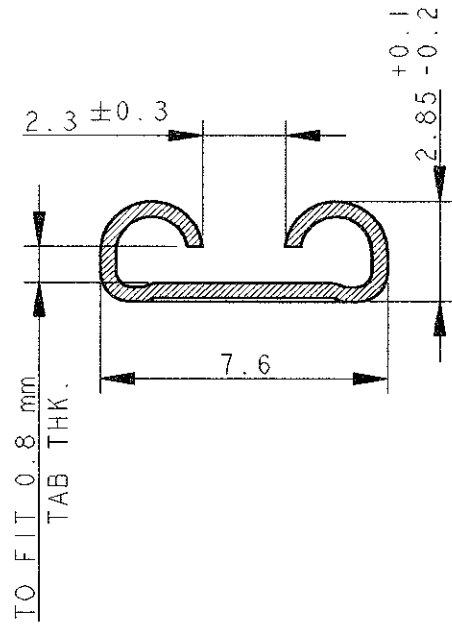
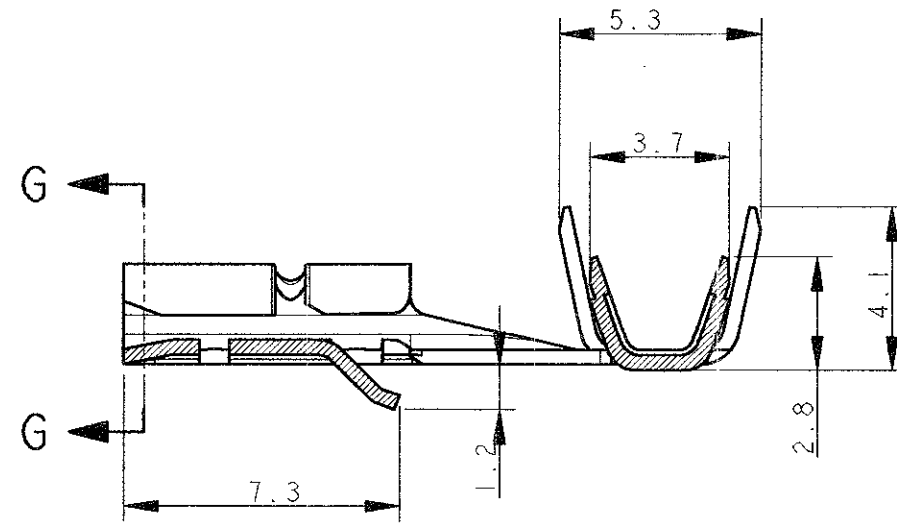


LOC	DIST	REVISIONS					
		P	LTR	DESCRIPTION	DATE	DWN	APVD
1	-	B		FIRST EMISSION FOR ET00-0225-01	14 FEB 02	H.Y. C.T.	

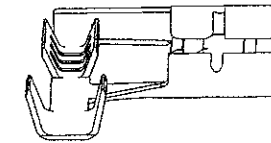
SECTION G-G



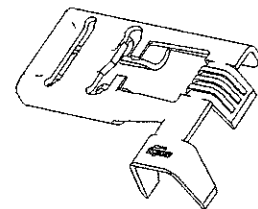
SECTION F-F



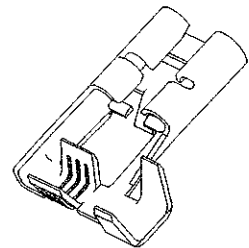
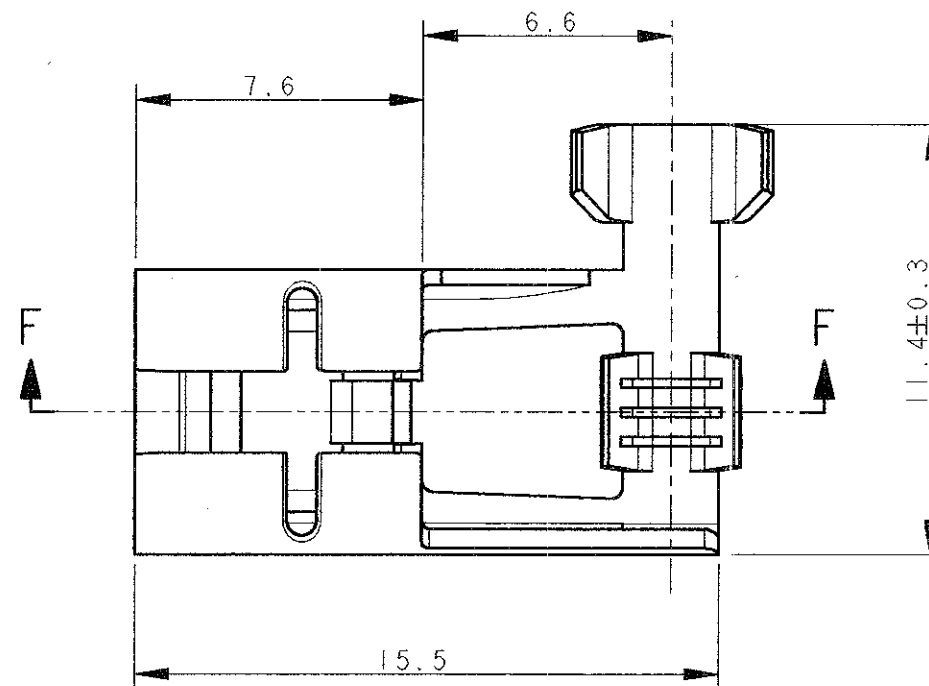
SUPPLY CONDITION
(STATO DI FORNITURA)



DIRECTION OFF TOP OF REEL
(SENSO DI USCITA DEL TERMINALE
DALLA BOBINA)



SCALE 2:1



SCALE 2:1

NOT YET RELEASED
FOR PRODUCTION

2.0-3.3	0.5-1.5	284697-1	B
INSULATION RANGE [Ø mm]	WIRE RANGE [sq mm]	AMP P/N	REV

<small>THIS DRAWING IS A CONTROLLED DOCUMENT FOR TYCO ELECTRONICS CORPORATION IT IS SUBJECT TO CHANGE AND THE CONTROLLING ENGINEERING ORGANIZATION SHOULD BE CONTACTED FOR THE LATEST REVISION.</small>		DWN H. YAALI	050CT2001		tyco Electronics AMP Italia S.p.A. Corso F.lli Cervi, 15 COLLEGNO (TO)	
DIMENSIONS: mm		CHK C. TARTARI	APVD		NAME	.250" series FLAG FASTIN-FASTON REC. CONTACT (LOW PROFILE)
TOLERANCES UNLESS OTHERWISE SPECIFIED: 0 PLC ±0.5 1 PLC ±0.2 2 PLC ±0.1 3 PLC ±0.05 4 PLC ANGLES ±°		PRODUCT SPEC 108-20020		APPLICATION SPEC		
MATERIAL BRASS		FINISH TIN PLT.		SIZE	CAGE CODE	DRAWING NO
WEIGHT		CUSTOMER DRAWING		A3	00779	©=284697
RESTRICTED TO		SCALE 5:1		SHEET 1 OF 1		REV B

单击下面可查看定价，库存，交付和生命周期等信息

[>>TE Connectivity\(泰科\)](#)