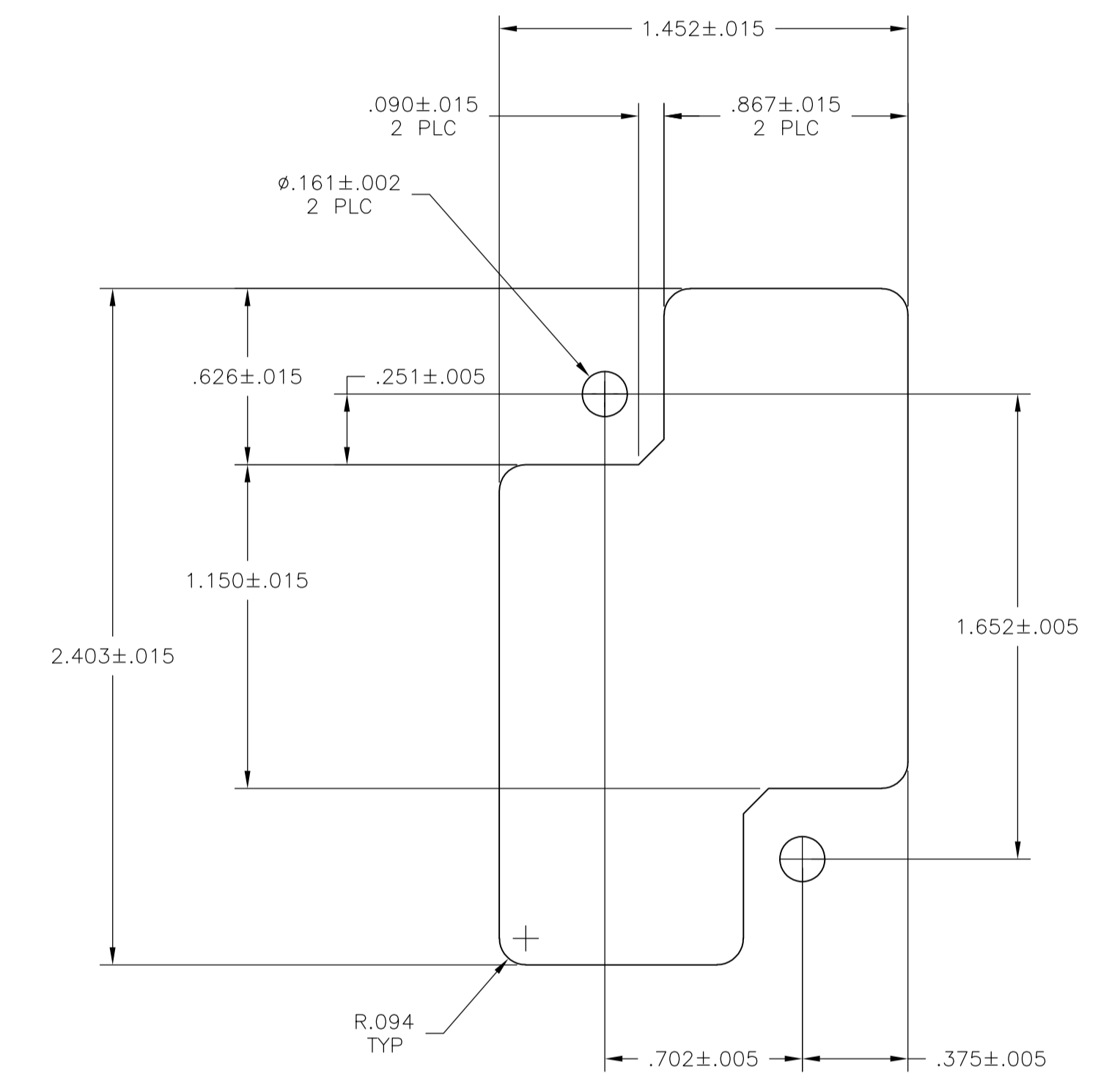
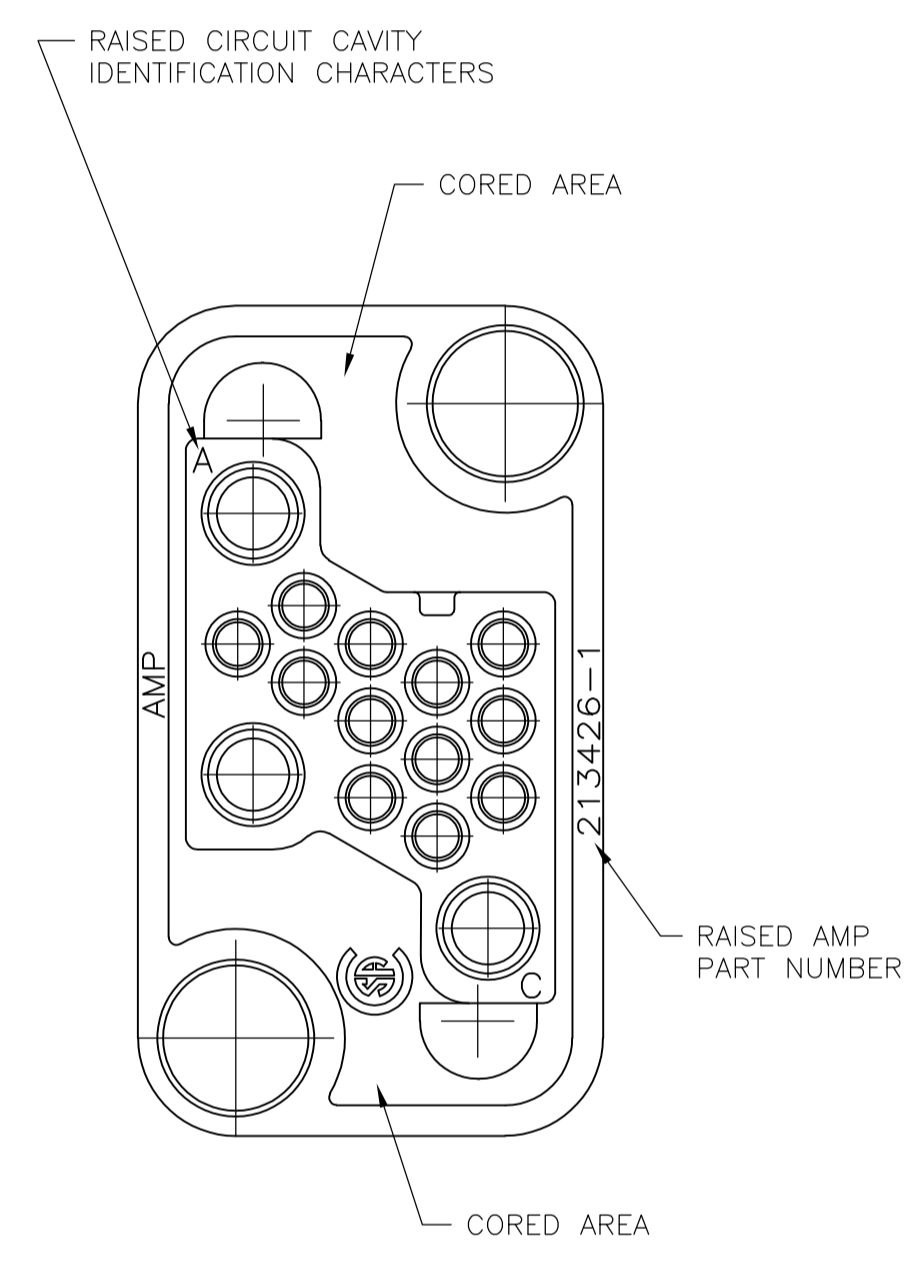
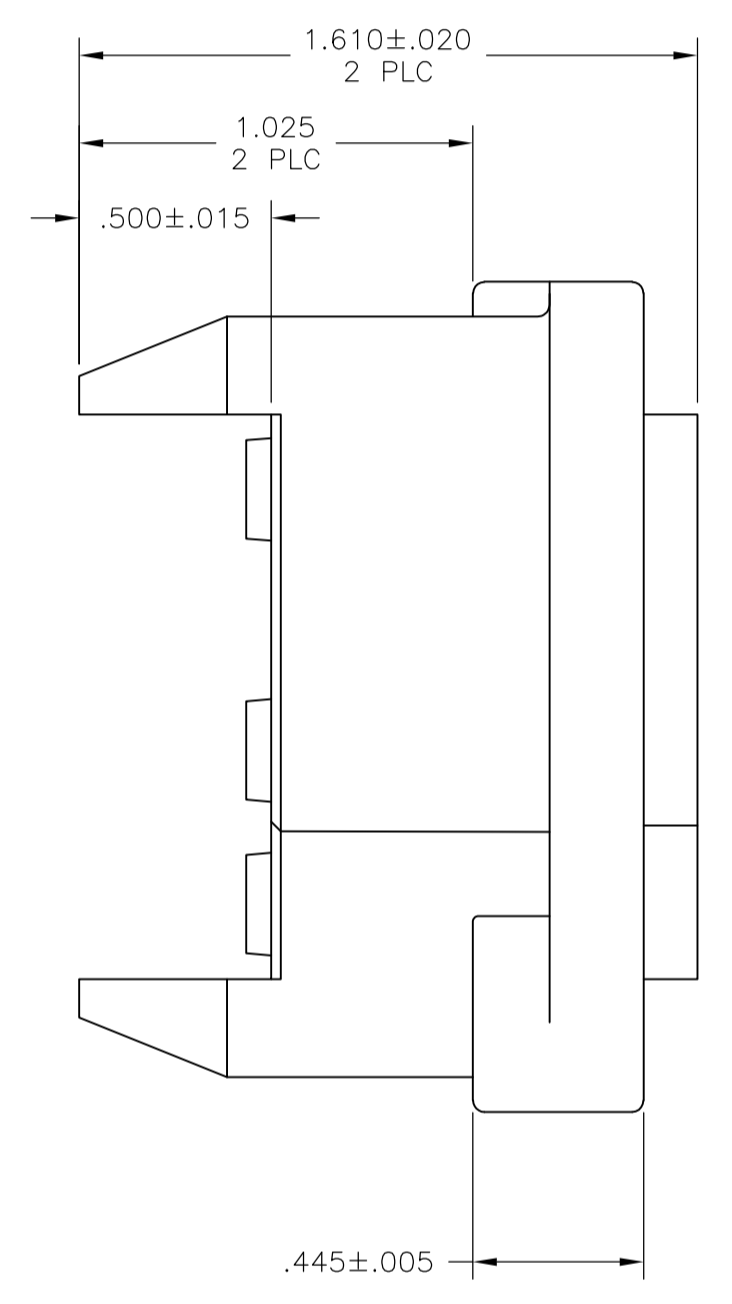
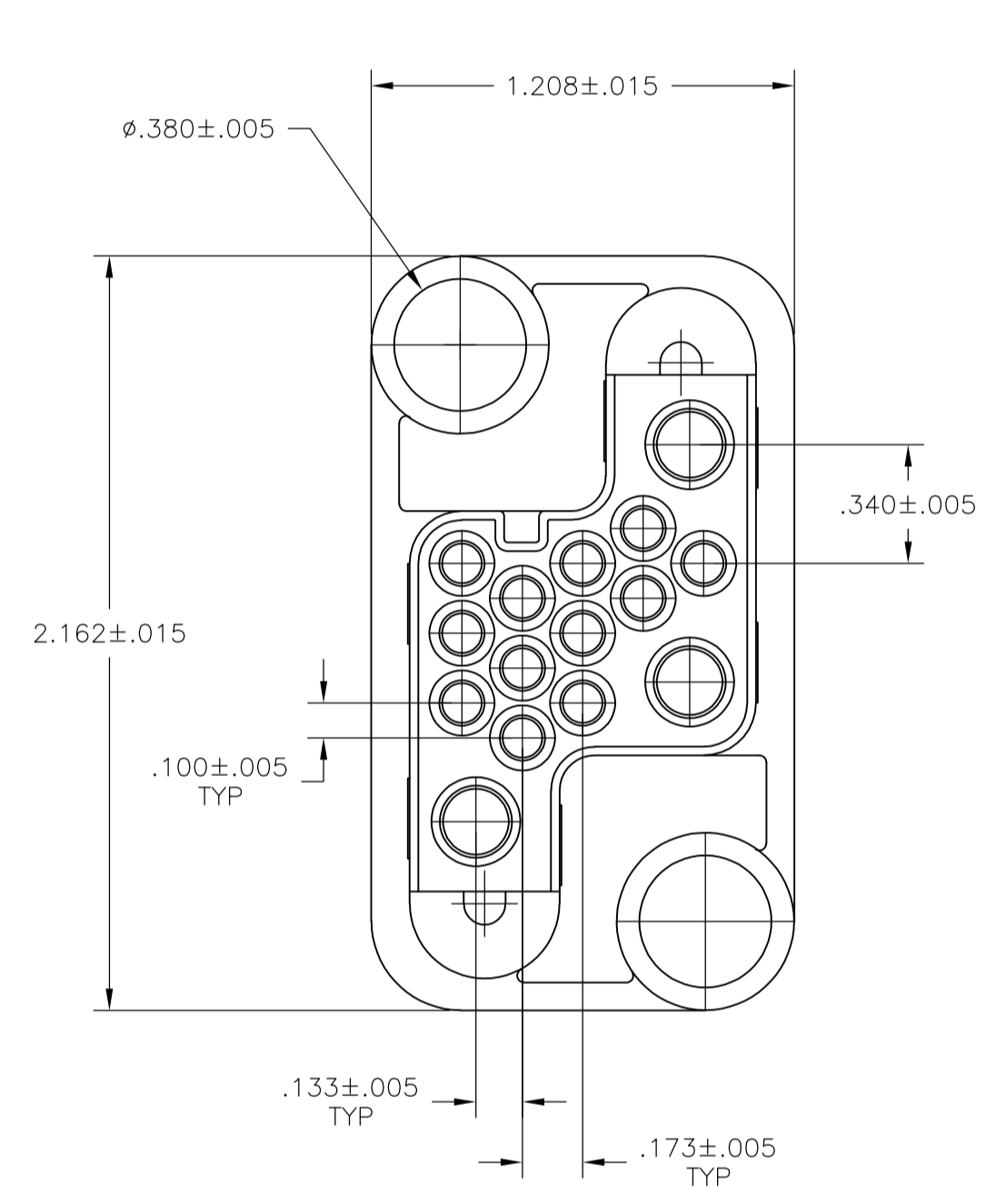


LOC		DIST		REVISIONS			
P	LTR	DESCRIPTION	DATE	DNW	APVD		
E1		REVISED PER ECO-07-012824	6/4/07	SS	GS		

**NOTES:**

1. THIS PLUG HOUSING MATES WITH RECEPTACLE HOUSING PART NUMBER 213427-1.
2. FOR MOUNTING SCREW INFORMATION SEE DRAWING 208211.
3. THIS HOUSING ACCEPTS (3) POWER SIZE 8 COAXIAL SIZE 8 SOCKET CONTACTS AND (12) TYPE II SIZE 16, TYPE III+ SIZE 16, TYPE VI SIZE 16, TYPE X SIZE 16, SUBMINATURE COAXIAL OR OPTIMATE FIBER OPTIC SOCKET CONTACTS.



RECOMMENDED PANEL CUTOUT

THIS DRAWING IS A CONTROLLED DOCUMENT.		DIN S SCHLEGEL 2/6/03	Tyco Electronics Corporation Harrisburg, PA 17105-3608	
DIMENSIONS: INCHES		CHK G STEINHAUER 2/6/03	NAME HOUSING, PLUG, DRAWER CONNECTOR, 15 POSITION METRIMATE	
TOLERANCES UNLESS OTHERWISE SPECIFIED:		APVD G STEINHAUER 2/6/03	RESTRICTED TO	
0 PLC ± -	1 PLC ± -	PRODUCT SPEC	SIZE A1	CAGE CODE 00779
2 PLC ± .010	3 PLC ± -	APPLICATION SPEC	DRAWING NO. 213426	REV E1
4 PLC ± -	ANGLES ± 0°30'	WEIGHT	CUSTOMER DRAWING	SCALE 2:1
MATERIAL POLYESTER, BLACK	FINISH -	SHEET 1 OF 1		

单击下面可查看定价，库存，交付和生命周期等信息

[>>TE Connectivity\(泰科\)](#)