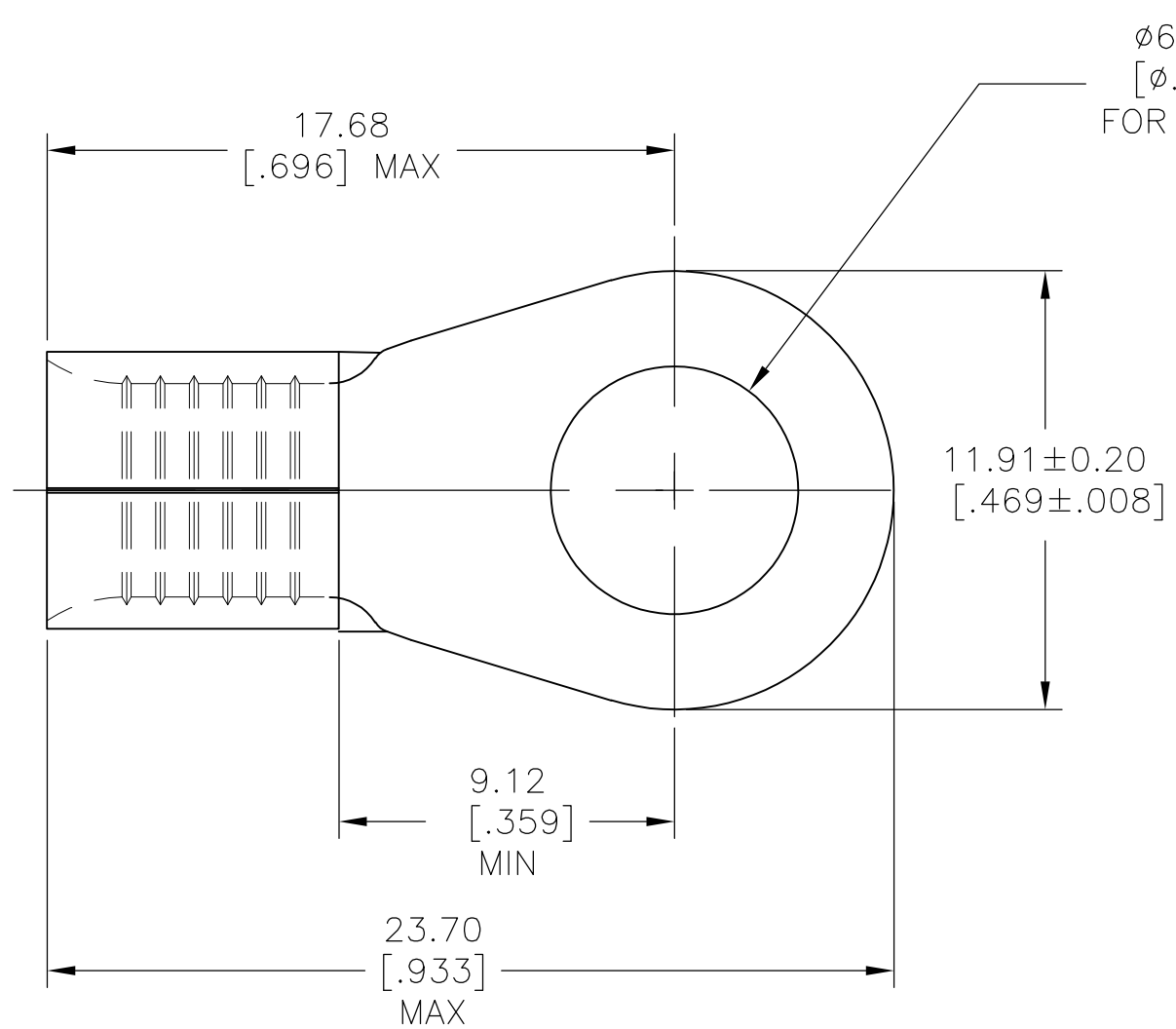


THIS DRAWING IS UNPUBLISHED. RELEASED FOR PUBLICATION
 © COPYRIGHT - By - ALL RIGHTS RESERVED.

LOC	DIST	REVISIONS					
		P	LTR	DESCRIPTION	DATE	DWN	APVD
G	86		A1	REVISED PER ECO-11-024755	13DEC11	KH	DR



- 1 WIRE RANGE IS FOR #8 AWG STANDARD. WIRE CROSS SECTIONAL AREA RANGE: 13,100-20,800 CMA, STRANDED WIRE
- 2 THE TONGUE THK IS 1.22 ± 0.08 [.048 ± .003]
- 3 RECOMMENDED OPERATING TEMP -55°C TO +200°C FOR HEAT SHRINK TUBING

1	8-1190141-0	HIGH AND LOW TEMPERATURE CROSS LINKED FLOUROPOLYMER HEAT SHRINK TUBING 9.525 [.375]MIN ID X 25.400 ± 2.032 [1.000 ± .080] RT555-3/8-0-SP
1	323166	TERMINAL BODY: COPPER PER ASTM B-152 ANNEALED FINISH: NICKEL PLATE .000300 MIN THK PER SAE AMS QQ-N-290
-1	PART NO	DESCRIPTION

THIS DRAWING IS A CONTROLLED DOCUMENT.		DWN JR RUTH 08DEC09	STE TE Connectivity		
DIMENSIONS: mm [INCHES]		CHK TOM MICHIELUTTI 08DEC09			
TOLERANCES UNLESS OTHERWISE SPECIFIED:		APVD TOM MICHIELUTTI 08DEC09	NAME		
0 PLC ± -		PRODUCT SPEC	HEAT RESISTANT TERMINAL KIT		
1 PLC ± -		APPLICATION SPEC	SIZE	CAGE CODE	DRAWING NO
2 PLC ± -			A3 00779		C-696634
3 PLC ± -			RESTRICTED TO		
4 PLC ± -		WEIGHT	-		
ANGLES ± 1°			SCALE 5:1 SHEET 1 OF 1 REV A1		
MATERIAL			CUSTOMER DRAWING		
FINISH					

单击下面可查看定价，库存，交付和生命周期等信息

[>>TE Connectivity\(泰科\)](#)