

THIS DRAWING IS UNPUBLISHED.

RELEASED FOR PUBLICATION

© COPYRIGHT - By -

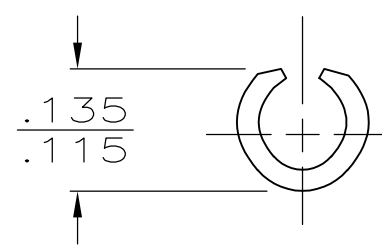
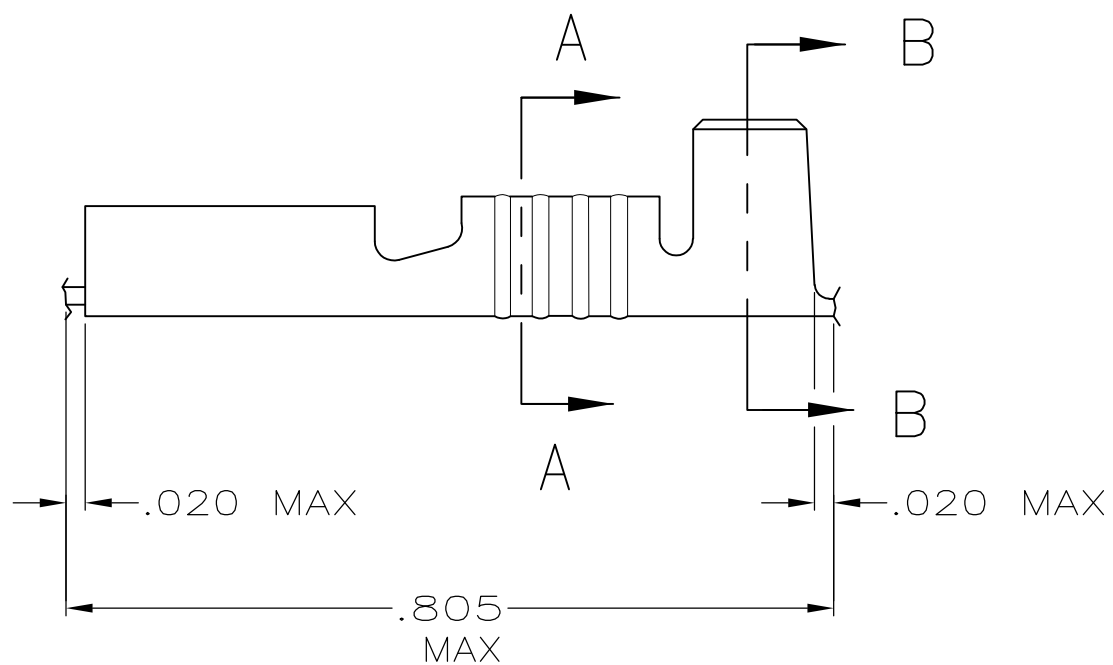
ALL RIGHTS RESERVED.

LOC AF DIST 50

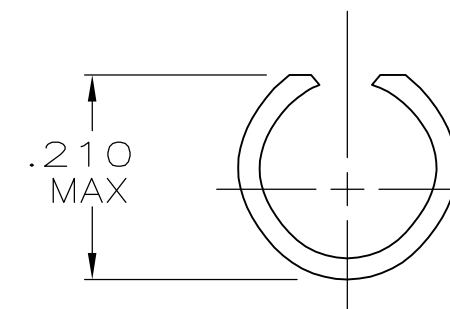
REVISIONS

P	LTR	DESCRIPTION	DATE	DWN	APVD
	H	REVISED PER ECR-12-013445	18OCT12	KH	PD

- 1 SUPPLIED IN LOOSE PIECE FORM.
- 2 FOREIGN PRODUCTION ONLY. LEAD-IN CHAMFER ON RECPT.
- 3 FOREIGN PRODUCTION ONLY.



SECTION A-A



SECTION B-B

-	.120-.145	18-16	2 41445-1
-			3 41445
FINISH	INSULATION RANGE	WIRE SIZE	PART NUMBER

THIS DRAWING IS A CONTROLLED DOCUMENT.		DWN JR RUTH 2/11/91	STE TE Connectivity	
DIMENSIONS: INCHES		CHK P FORTNEY 2/11/91		
TOLERANCES UNLESS OTHERWISE SPECIFIED:		APVD C MEYERS 2/11/91	NAME RECEPTACLE, FASTON, .250 SERIES	
0 PLC ± -		PRODUCT SPEC -	SIZE CAGE CODE DRAWING NO RESTRICTED TO	
1 PLC ± -		APPLICATION SPEC -	A3 00779 C-41445	
2 PLC ± -		WEIGHT -	SCALE 5:1 SHEET 1 OF 1 REV H	
3 PLC ± .015		CUSTOMER DRAWING		
4 PLC ± -				
ANGLES ± -				
MATERIAL BRASS	FINISH SEE TABLE			

单击下面可查看定价，库存，交付和生命周期等信息

[>>TE Connectivity\(泰科\)](#)