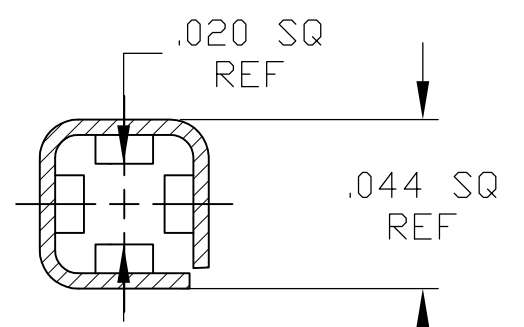
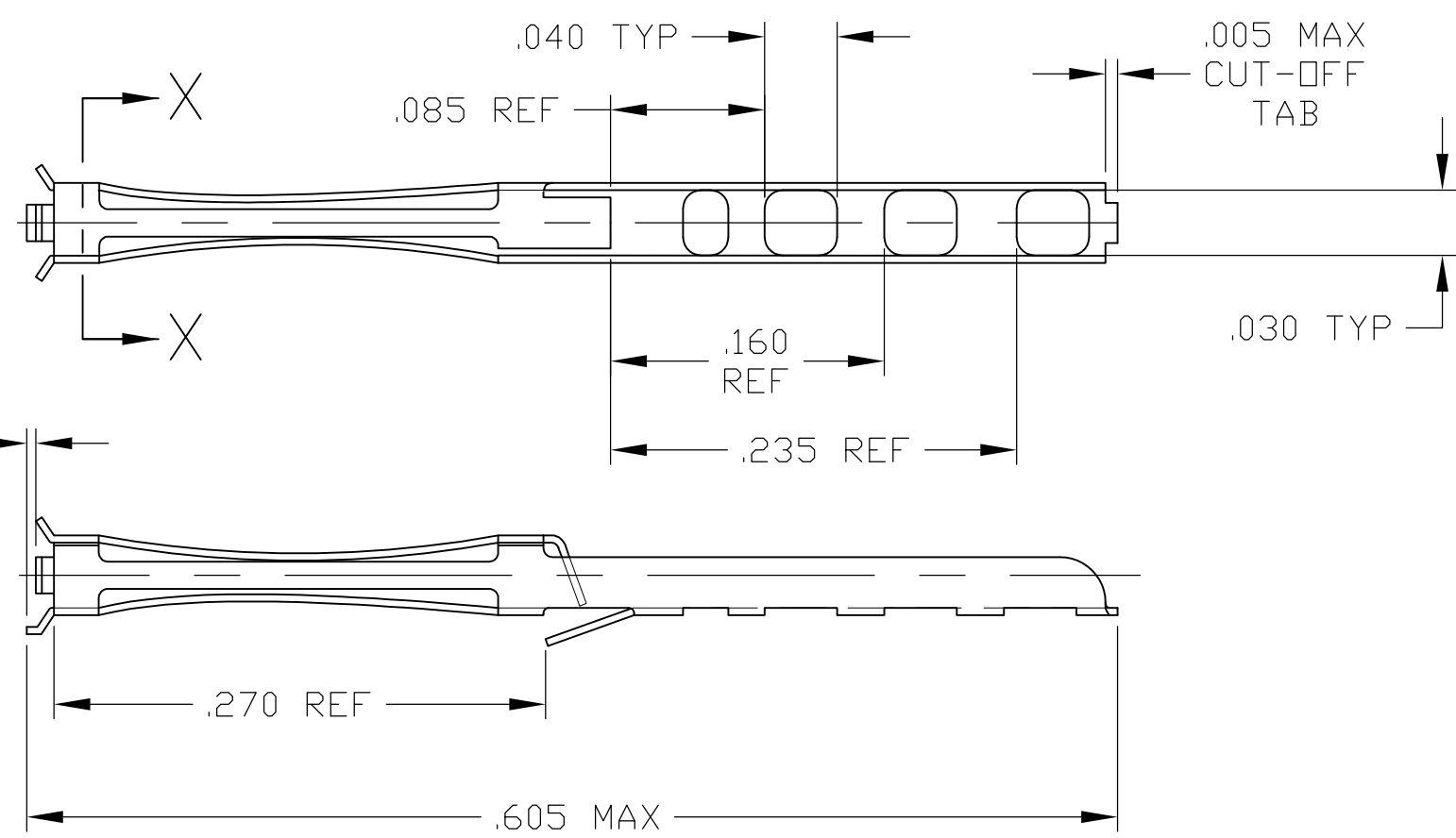


THIS DRAWING IS UNPUBLISHED. RELEASED FOR PUBLICATION
 © COPYRIGHT - By - ALL RIGHTS RESERVED.

LOC	DIST	REVISIONS			
P	LTR	DESCRIPTION	DATE	DWN	APVD
	G	REV PER ECO 14-008136	5-30-14	CT	RL



SECTION X-X
SCALE 20:1

- 1 MAT'L: BERYLLIUM COPPER PER ASTM-B-194.
- 2 MAT'L: COPPER-NICKEL-SILICON PER UNS C70260.
- 3 FINISH: .000030 GOLD PER ASTM-B-488 OVER .000030 NICKEL PER AMS-QQ-N-290 IN CONTACT AREA 60/40 TIN-LEAD OVER NICKEL IN TAIL AREA.
- 4 FINISH: .000050 GOLD PER ASTM-B-488 OVER .000030 NICKEL PER AMS-QQ-N-290 OVER ENTIRE CONTACT.
- 5 FINISH: .000050 GOLD PER ASTM-B-488 OVER .000030 NICKEL PER AMS-QQ-N-290 IN CONTACT AREA 60/40 TIN-LEAD OVER NICKEL IN TAIL AREA.

	5	2	583218-6
	4	2	583218-5
	3	2	583218-4
SUPERSEDED BY 583218-6	5	1	583218-3
SUPERSEDED BY 583218-5	4	1	583218-2
OBSOLETE	3	1	583218-1
	FINISH	MATERIAL	PART NO.

THIS DRAWING IS A CONTROLLED DOCUMENT.		DWN C.C.THOMAS 14OCT2005	STE TE Connectivity		
DIMENSIONS: INCHES		CHK D.MILLER 10-17-05			
TOLERANCES UNLESS OTHERWISE SPECIFIED:		APVD D.MILLER 10-17-05	NAME SNAP-IN BOX CONTACT, LOOSE PIECE		
0 PLC ± -		PRODUCT SPEC	SIZE		
1 PLC ± -		APPLICATION SPEC	CAGE CODE	DRAWING NO	RESTRICTED TO
2 PLC ± -		—	—	A300779	—
3 PLC ± .005		—	—	C-583218	—
4 PLC ± -		—	—	—	—
ANGLES ± -		—	—	—	—
MATERIAL SEE TABLE	FINISH SEE TABLE	WEIGHT —	CUSTOMER DRAWING		
		SCALE 10:1	SHEET 1 OF 1	REV G	

单击下面可查看定价，库存，交付和生命周期等信息

[>>TE Connectivity\(泰科\)](#)