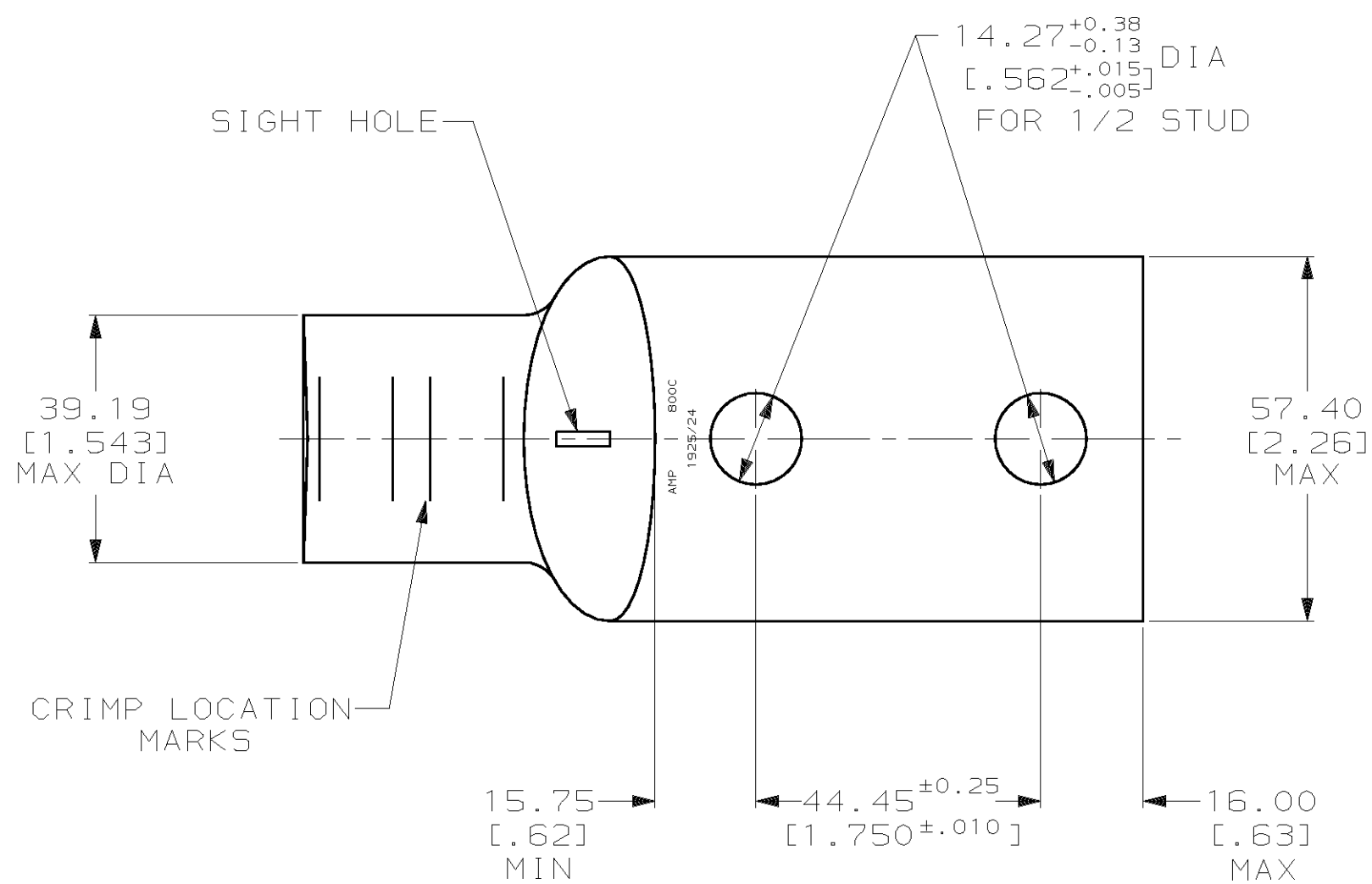
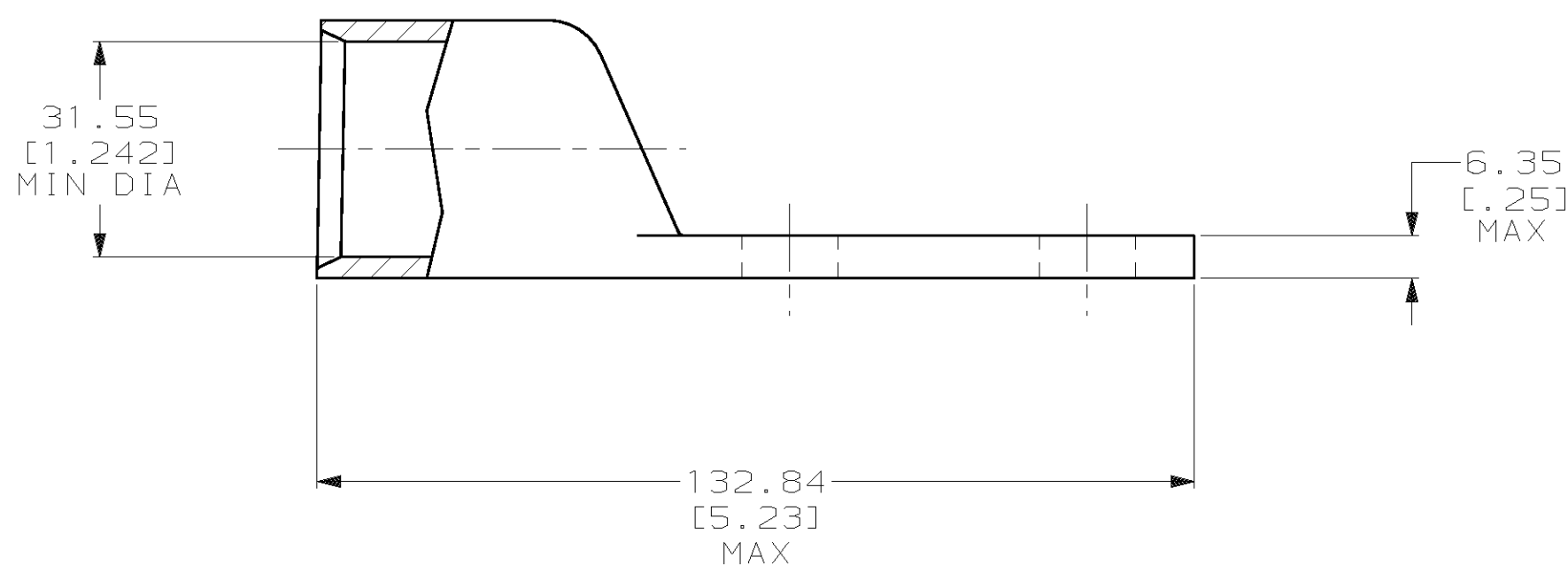


THIS DRAWING IS UNPUBLISHED. RELEASED FOR PUBLICATION ,19 .  
 © COPYRIGHT 19 BY AMP INCORPORATED. ALL INTERNATIONAL RIGHTS RESERVED.

LOC		DIST		P		F		ZONE		LTR		REVISIONS		DATE	APPD
G		86													
												E	REV PER 0G3A-0561-01	09OCT02	JR/MS



- 1 CIRCULAR MIL RANGE: 750-850 MCM
- 2 TIN PL 0.00381 [.000150] MIN THK PER ASTM B 545
- 3 UNPLATED



**METRIC**

DO NOT SCALE PRINT. UNLESS SPECIFIED DIMENSIONS IN mm [INCHES] TOLERANCES ON : 2 PLC DEC ± 0.51 [.020] 3 PLC DEC ± - ANGLES ± -	DR 04/05/90 DK SCHRUM
MATERIAL ANNEALED COPPER ASTM B-75	CHK 25JAN95 MS FEHER
FINISH SEE NOTES	APPD 25JAN95 WJ VOCKROTH
	APPD 25JAN95 TL SHUTTER
	PRODUCT SPEC 108-30200
	APPLICATION SPEC -
	WEIGHT .821 LB

3	327292-4
2	327292
FINISH	PART NO
<b>AMP</b> AMP INCORPORATED Harrisburg, Pa. 17105	
NAME TERMINAL, AMPPOWER™ WIRE SIZE: 800 MCM	
SIZE <b>C</b>	CAGE CODE 00779
SCALE 1:1	DRAWING NO 327292
	SHEET 1 OF 1

单击下面可查看定价，库存，交付和生命周期等信息

[>>TE Connectivity\(泰科\)](#)