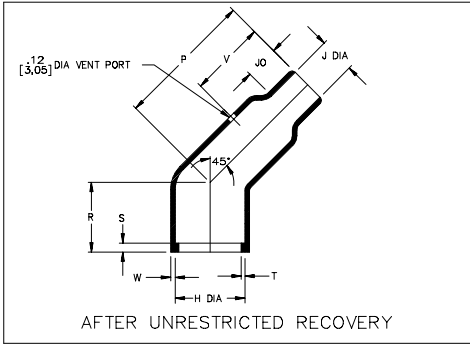
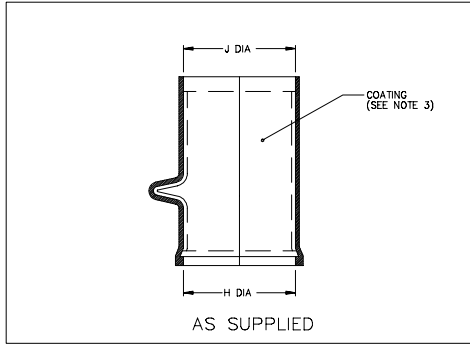


Thermofit[®] Molded Parts
 Specification Control Drawing
 Limited Distribution

Part Number : 242A3XX-X-03
 Description : Boot, 45°, With Lip

NOTES

- All dimensions are in inches
[millimeters]
- Dimensions appearing in table are as follows:
 a - As Supplied
 b - After Unrestricted Recovery
- Coating is optional. As supplied dimensions appearing in table are for uncoated parts. When coating is added, entry diameters will be reduced by .06 max.
- For corresponding adapter see drawing number 202C221 thru 302.



PART NUMBER	H		J		P	R	S	T	V	JO	W	This Boot Fits Convalex Tubing
	Min	Max	Min	Max	±10%	±10%	±10%	±10%	Ref	±10%	±20%	
	a	b	a	b	b	b	b	b	b	b	b	
242A312-X-03	1.00 [25,4]	.70 [17,8]	1.00 [25,4]	.37 [9,4]	1.62 [41,1]	1.00 [25,4]	.12 [3,05]	.05 [1,27]	1.03 [26,2]	.42 [10,7]	.06 [1,52]	3/8" thru 1/2"
242A322-X-03	1.50 [38,1]	.95 [24,1]	1.50 [38,1]	.49 [12,4]	1.75 [44,5]	1.00 [25,4]	.12 [3,05]	.05 [1,27]	1.03 [26,2]	.42 [10,7]	.06 [1,52]	1/2 thru 1"



RAYCHEM CORPORATION
 300 CONSTITUTION DRIVE
 MENLO PARK, CALIFORNIA 94025

Revision : C
 Date : 9/22/99

Part Number : 242A3XX-X-03
 Description : Boot, 45°, With Lip

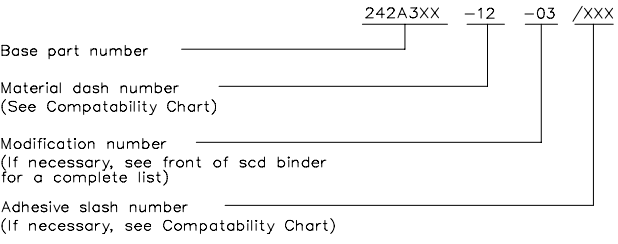
Thermofit[®] Molded Parts
 Specification Control Drawing
 Limited Distribution

Part Number : 242A3XX-X-03
 Description : Boot, 45°, With Lip

MATERIAL DASH NO.	MATERIAL DESCRIPTION	RT SPEC	COATING SLASH NO.	COATING S NO.	COATING DESCRIPTION
-12	*VITON, Flexible	RT-1312	N/A		

*VITON is a Registered Trademark of Dupont

ORDERING INFORMATION



THIS DRAWING IS SUBJECT TO CHANGE WITHOUT NOTICE; CONSULT YOUR NEAREST FIELD REPRESENTATIVE FOR CURRENT REVISION

If this document is printed it becomes uncontrolled.
 Check for the latest revision.



RAYCHEM CORPORATION
 300 CONSTITUTION DRIVE
 MENLO PARK, CALIFORNIA 94025

Revision : C
 Date : 9/22/99

Part Number : 242A3XX-X-03
 Description : Boot, 45°, With Lip

单击下面可查看定价，库存，交付和生命周期等信息

[>>TE Connectivity\(泰科\)](#)