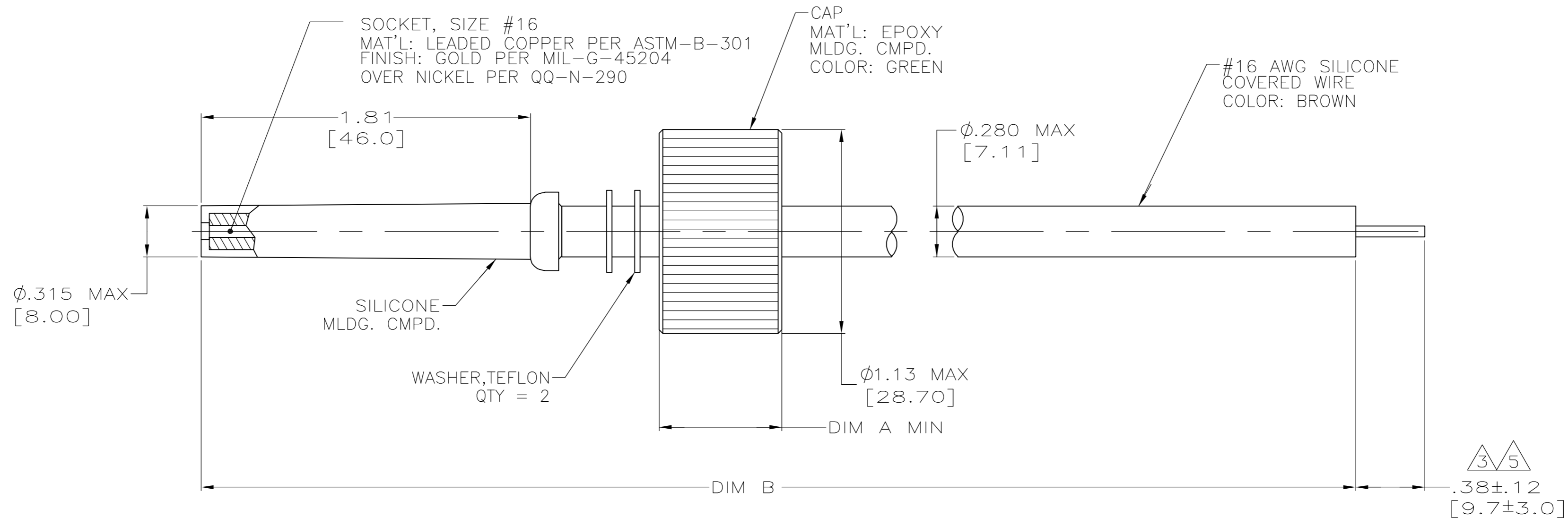


THIS DRAWING IS UNPUBLISHED. RELEASED FOR PUBLICATION
 © COPYRIGHT BY TYCO ELECTRONICS CORPORATION. ALL RIGHTS RESERVED.

LOC	DIST	REVISIONS					
DF	S0	P	LTR	DESCRIPTION	DATE	DWN	APVD
		C		REV PER ECO 05-015021	27JAN06	BL	CT



1. MARKED PER MIL-STD-130.
2. LEADS WILL MATE WITH AMP LGH-3 RECEPTACLE WITH 1.81 [46.0] BARREL DEPTH.
- 3 PIGTAIL IS SOLDER DIPPED.
4. OPERATING VOLTAGE: 40 KVDC AT 0 TO 70,000 FEET, -55° C TO 125° C.
- 5 INSULATION CUT, BUT NOT REMOVED.

REMARKS	DIM B	DIM A MIN	PART NUMBER
5	60.00±1.00 [1524.0±25.4]	.67 [17.0]	5-868354-2
3	60.00±1.00 [1524.0±25.4]	.67 [17.0]	868354-2
3	18.00±.12 [457.2±3.0]	.55 [13.8]	868354-1

THIS DRAWING IS A CONTROLLED DOCUMENT.		DWN C.C.THOMAS 12-9-97	tyco Tyco Electronics Corporation Harrisburg, PA 17105-3608	
		CHK D.EABY 12-12-97		
DIMENSIONS: INCHES	TOLERANCES UNLESS OTHERWISE SPECIFIED:	APVD -	NAME LEAD ASSY, SGL END, LGH-3 WIRE COLOR: BROWN	
	0 PLC ± -	PRODUCT SPEC -	SIZE A2	
	1 PLC ± -	APPLICATION SPEC -	CAGE CODE 00779	DRAWING NO C=868354
MATERIAL SEE CALLOUTS	FINISH SEE CALLOUTS	WEIGHT -	RESTRICTED TO -	SCALE 2:1
CUSTOMER DRAWING			SHEET 1 of 1	REV C

868354

单击下面可查看定价，库存，交付和生命周期等信息

[>>TE Connectivity\(泰科\)](#)