

4


3

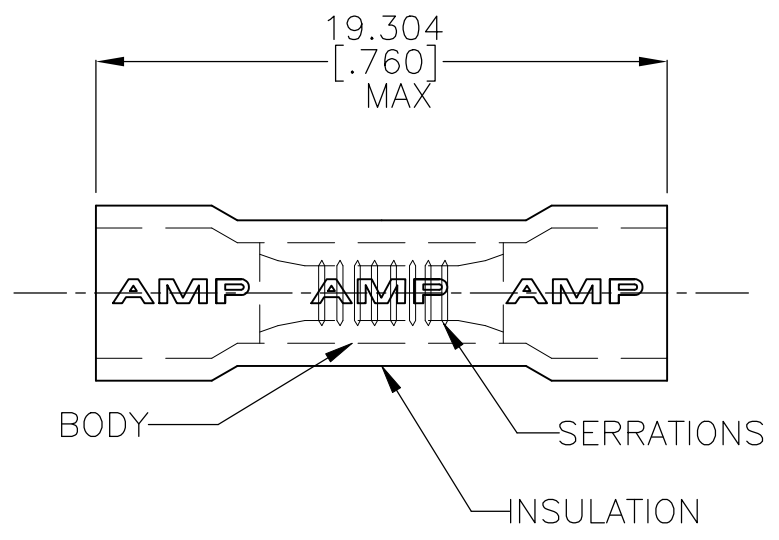
2

1

THIS DRAWING IS UNPUBLISHED. RELEASED FOR PUBLICATION
 © COPYRIGHT - TE Connectivity Ltd. ALL RIGHTS RESERVED.

REVISIONS					
P	LTR	DESCRIPTION	DATE	DWN	APVD
	D	REDRAWN PER 0G3A-0550-03	05SEP03	JR	TM
	D1	REVISED PER ECO-17-014338	14MAY2018	RS	DR

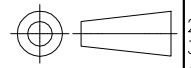
 E13288 Listed	 LR7189 Certified
22-16 SOLID OR STRANDED	22-16 SOLID OR STRANDED




1 FOR 2.667[.105] TO 3.556[.140] WIRE INSULATION DIA.

1000	LOOSE PIECE	INSULATION: PVC COLOR: RED BODY: COPPER ASTM B152 TIN PLATE PER ASTM B-545	34132
QTY	PACKAGE TYPE	MATERIAL / FINISH	PART NO

AMP INCORPORATED CUSTOMER SERVICE SYSTEMS	
FOR ADDITIONAL PRODUCT INFORMATION OR COPIES OF DRAWINGS AND TECHNICAL DOCUMENTS	PRODUCT INFORMATION CENTER 1-800-522-6752
FOR APPLICATION TOOLING INFORMATION	TOOLING ASSISTANCE CENTER 1-800-722-1111
FOR ORDER ENTRY	1-800-526-5142

THIS DRAWING IS A CONTROLLED DOCUMENT.	
DIMENSIONS: mm [INCHES]	TOLERANCES UNLESS OTHERWISE SPECIFIED:
	0 PLC ± - 1 PLC ± - 2 PLC ± - 3 PLC ± 0.127[.005] 4 PLC ± - ± 1° ANGLES
MATERIAL SEE TABLE	FINISH SEE TABLE

DWN	05SEP03
CHK	05SEP03
APVD	05SEP03
PRODUCT SPEC	UL486C
APPLICATION SPEC	114-2161
WEIGHT	
CUSTOMER DRAWING	

 TE Connectivity Ltd.			
NAME WIRE SPLICE, PARALLEL, PLASTI-GRIP, WIRE SIZE: 22-16 AWG			
SIZE	CAGE CODE	DRAWING NO	RESTRICTED TO
A3	00779	C-34132	-
SCALE		SHEET	REV
4:1		1 of 1	D1

单击下面可查看定价，库存，交付和生命周期等信息

[>>TE Connectivity\(泰科\)](#)