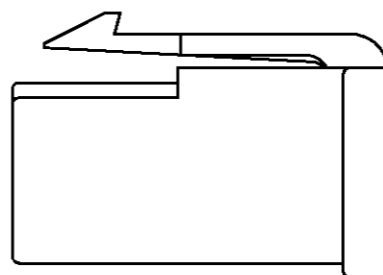
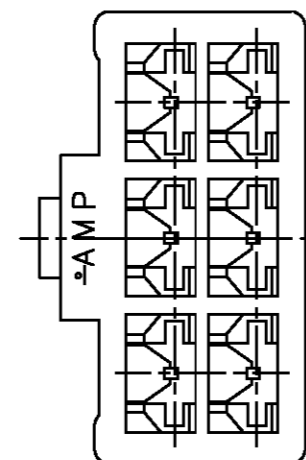
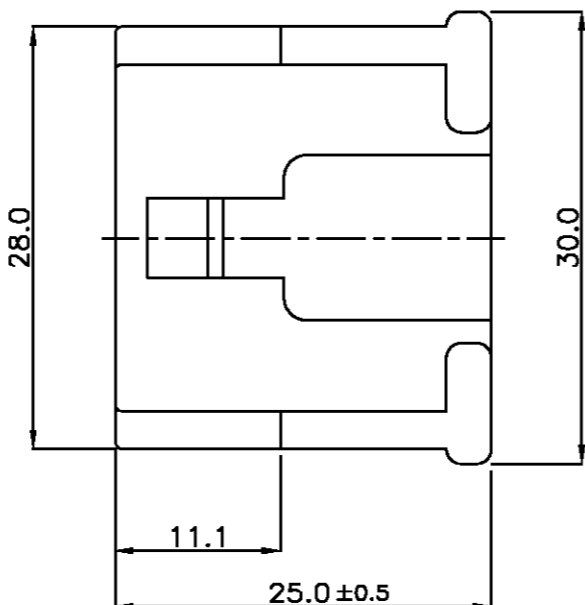
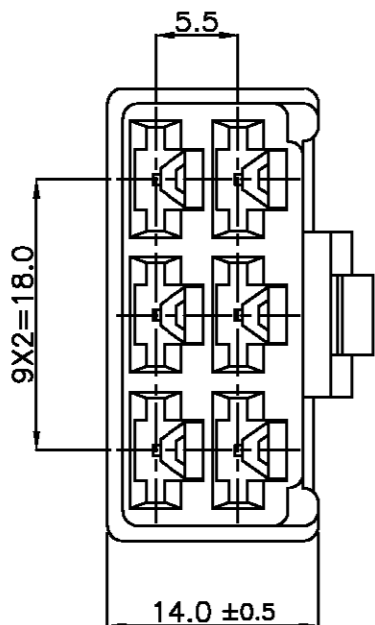


P	LTR	DESCRIPTION	DATE	DWN	APVD
	0	RELEASED			
	01	REVISED PER ECO-10-000444	08JAN10	KK	AEG



NOTES:

1. GENERAL TOLERANCES ARE $\pm 0.2, \pm 1^*$
2. APPLIED CONTACT P/N: 170384, 170032, 170258
3. OBSOLETE PARTS: OBSOLETE CIS STREAMLINING PER D.RENAUD/D.SINISI

	174204-9	RED
	174204-8	ORANGE
3	174204-7	YELLOW
	174204-6	GREY
3	174204-5	BLUE
	174204-4	GREEN
	174204-3	BROWN
	174204-2	BLACK
	174204-1	NATURAL
	PART NO	COLOR

THIS DRAWING IS A CONTROLLED DOCUMENT FOR AMP INCORPORATED. IT IS SUBJECT TO CHANGE AND THE CONTROLLING ENGINEERING ORGANIZATION SHOULD BE CONTACTED FOR THE LATEST REVISION.		DWN	AMP AMP KOREA. kyungsan, korea		
DIMENSIONS: MM		CHK			
TOLERANCES UNLESS OTHERWISE SPECIFIED: SEE NOTE		APVD	NAME 250 6P PLUG HSG		
3rd ANGLE PROJECTION		PRODUCT SPEC	SIZE	CAGE CODE	DRAWING NO
MATERIAL PA66		APPLICATION SPEC 114-5052	A3	00779	C= 174204
FINISH		WEIGHT	SCALE 2/1 SHEET 1 OF 1 REV 01		

单击下面可查看定价，库存，交付和生命周期等信息

[>>TE Connectivity\(泰科\)](#)