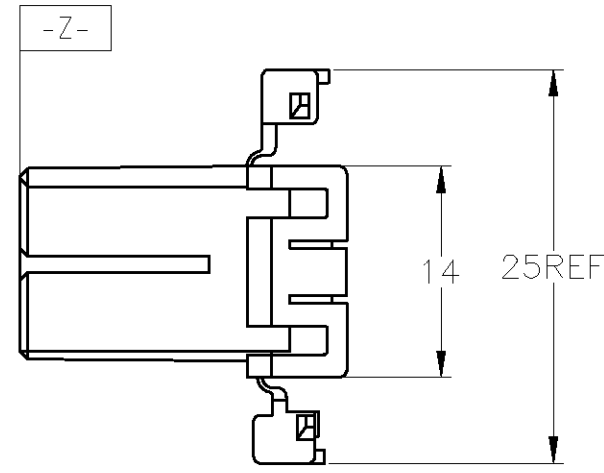
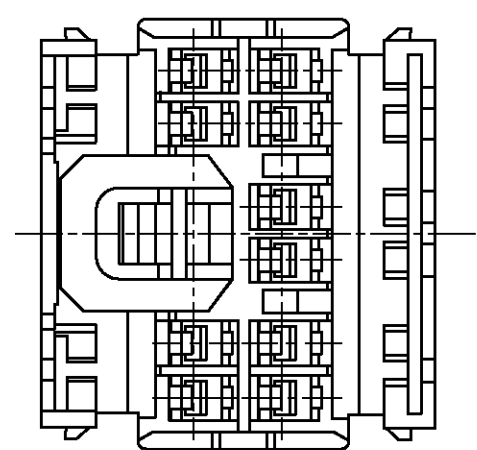
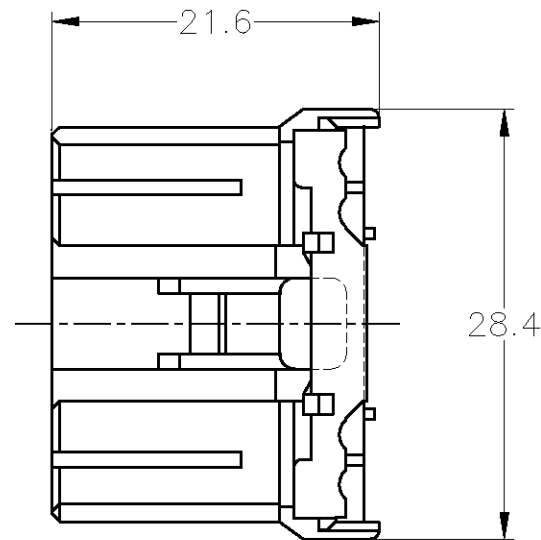
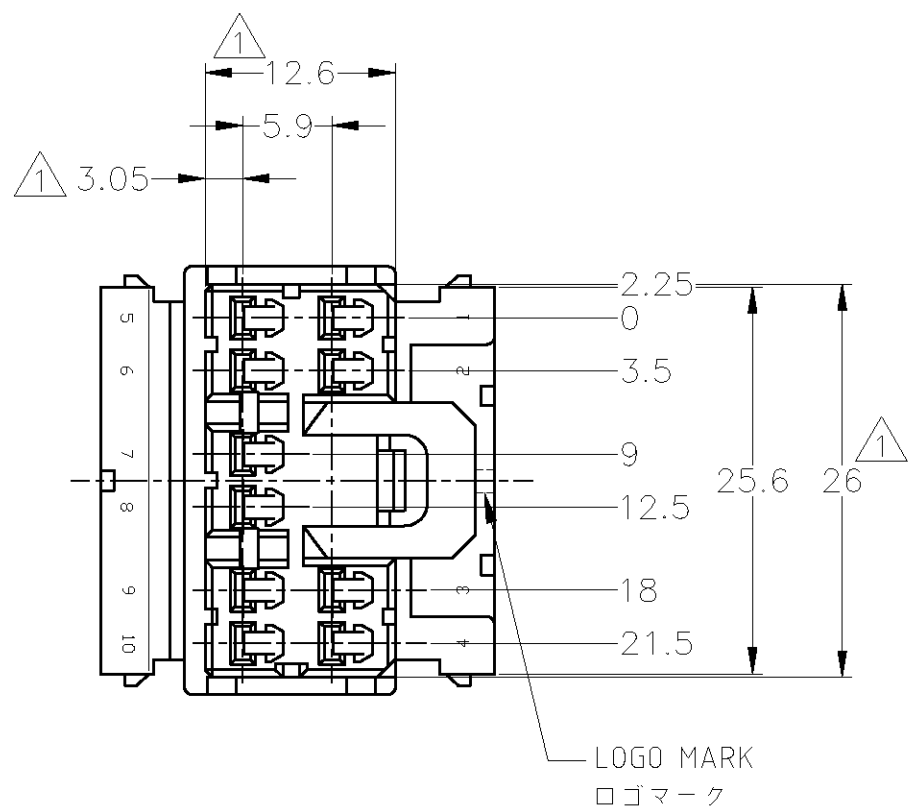


THIS DRAWING IS UNPUBLISHED. RELEASED FOR PUBLICATION  
 © COPYRIGHT - By Tyco Electronics Japan G.K. ALL RIGHTS RESERVED.

LOC	DIST	REVISIONS					
J	-	P	LTR	DESCRIPTION	DATE	DWN	APVD
		F2	REVISED	ECR-12-021403	13DEC2012	TS	KB



- △1. MUST BE KEPT BETWEEN -Z- AND 2
  - 2. APPLIED TAB CONTACT P/N; 173630, 173631
  - 3. APPLIED CAP HOUSING P/N; 174468
- △1. -Z- 面より 2mm の範囲で測定
  - 2. 内装するタブコンタクト型番 173630, 173631
  - 3. 嵌合相手ハウジング型番 174468

LOGO MARK  
ロゴマーク

OBSELETE	オレンジ (ORANGE)	174465-8
	黄 (YELLOW)	174465-7
	灰 (GRAY)	174465-6
OBSELETE	青 (BLUE)	174465-5
OBSELETE	緑 (GREEN)	174465-4
	黒 (BLACK)	174465-2
	自然色 (NATURAL)	174465-1
	色 (COLOR)	型番 (PART NUMBER)

THIS DRAWING IS A CONTROLLED DOCUMENT.		DWN S.FUJITA 06AUG08	<b>STE</b> TE Connectivity	
DIMENSIONS: 単位: 耗 mm		CHK K.BETSUI 06AUG08		
TOLERANCES UNLESS OTHERWISE SPECIFIED: 一般公差		APVD K.BETSUI 06AUG08	NAME 070 SERIES MULTILOCK I/O CONNECTOR 10POSITION PLUG HOUSING	
TOLERANCES UNLESS OTHERWISE SPECIFIED: 一般公差		PRODUCT SPEC 製品規格 108-5264	RESTRICTED TO	
MATERIAL 材料 PBT		FINISH 仕上 -	APPLICATION SPEC 取付適用規格 -	SCALE 2:1
TOLERANCES UNLESS OTHERWISE SPECIFIED: 一般公差		WEIGHT 4.6 g	SIZE A3	CAGE CODE 00779
10 ≥ : ±0.2		DRAWING NO C-174465		SHEET 1 OF 1
30 ≥ > 10 : ±0.25		CUSTOMER DRAWING		REV F2
100 ≥ > 30 : ±0.3				
ANGLE : ±3°				

单击下面可查看定价，库存，交付和生命周期等信息

[>>TE Connectivity\(泰科\)](#)